

AL13-Sharp7		HKADS-13-02-HW-0100	
Avnet Design Services			
www.em.avnet.com			
Function		Sheet Number	
01-Cover		01	
02-AL13 Adapter Board		02	



Revision / History


- V0: Draft version for internal review
- V1: Revise components
Mated PCB V1

3/15/2013

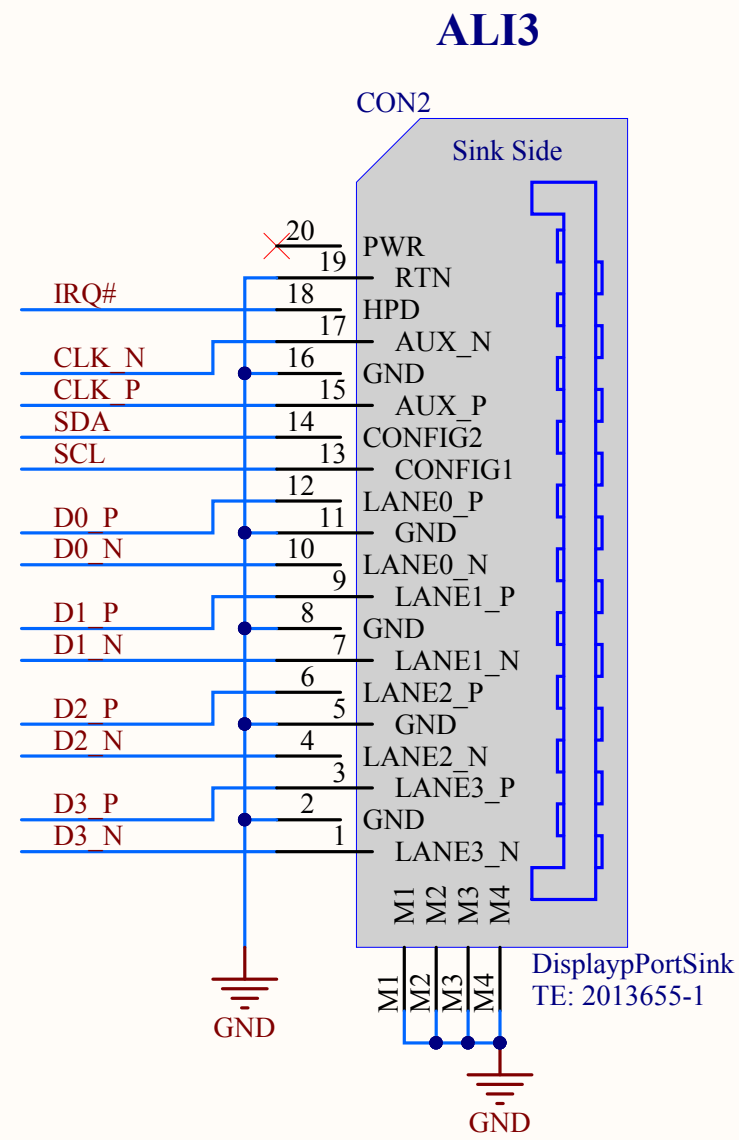
Copyright 2011, Avnet, Inc. All Rights Reserved.

This material may not be reproduced, distributed, republished, displayed, posted, transmitted or copied in any form or by any means without the prior written permission of Avnet, Inc. AVNET and the AV logo are registered trademarks of Avnet, Inc. All trademarks and trade names are the properties of their respective owners and Avnet, Inc. disclaims any proprietary interest or right in trademarks, service marks and trade names other than its own.

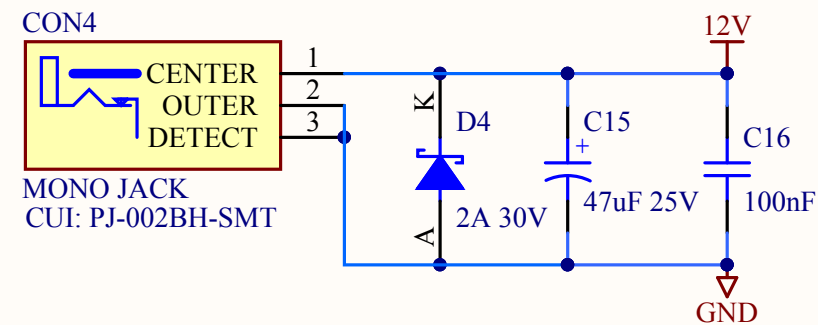
Avnet is not responsible for typographical or other errors or omissions or for direct, indirect, incidental or consequential damages related to this material or resulting from its use. Avnet makes no warranty or representation respecting this material, which is provided on an "AS IS" basis. AVNET HEREBY DISCLAIMS ALL WARRANTIES OR LIABILITY OF ANY KIND WITH RESPECT THERETO, INCLUDING, WITHOUT LIMITATION, REPRESENTATIONS REGARDING ACCURACY AND COMPLETENESS, ALL IMPLIED WARRANTIES AND CONDITIONS OF MERCHANTABILITY, SUITABILITY OR FITNESS FOR A PARTICULAR PURPOSE, TITLE AND/OR NON-INFRINGEMENT. This material is not designed, intended or authorized for use in medical, life support, life sustaining or nuclear applications or applications in which the failure of the product could result in personal injury, death or property damage. Any party using or selling products for use in any such applications do so at their sole risk and agree that Avnet is not liable, in whole or in part, for any claim or damage arising from such use, and agree to fully indemnify, defend and hold harmless Avnet from and against any and all claims, damages, loss, cost, expense or liability arising out of or in connection with the use or performance of products in such applications.

 Avnet Engineering Services		
Title: Sheet 01 - Cover		
Size: B	Document Number: AL13-Sharp7	Rev: Rev 1
Date: 3/15/2013	Sheet 1	of 2

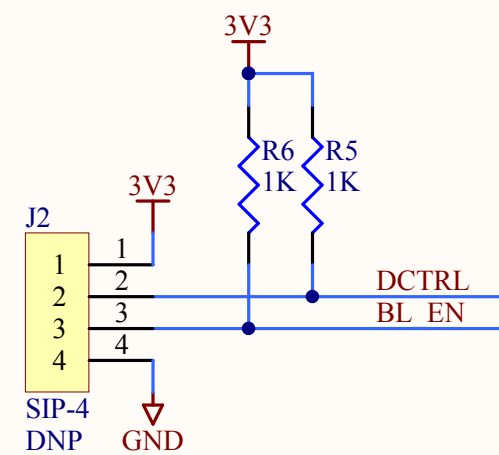
AL13 Sharp7 Adapter Board



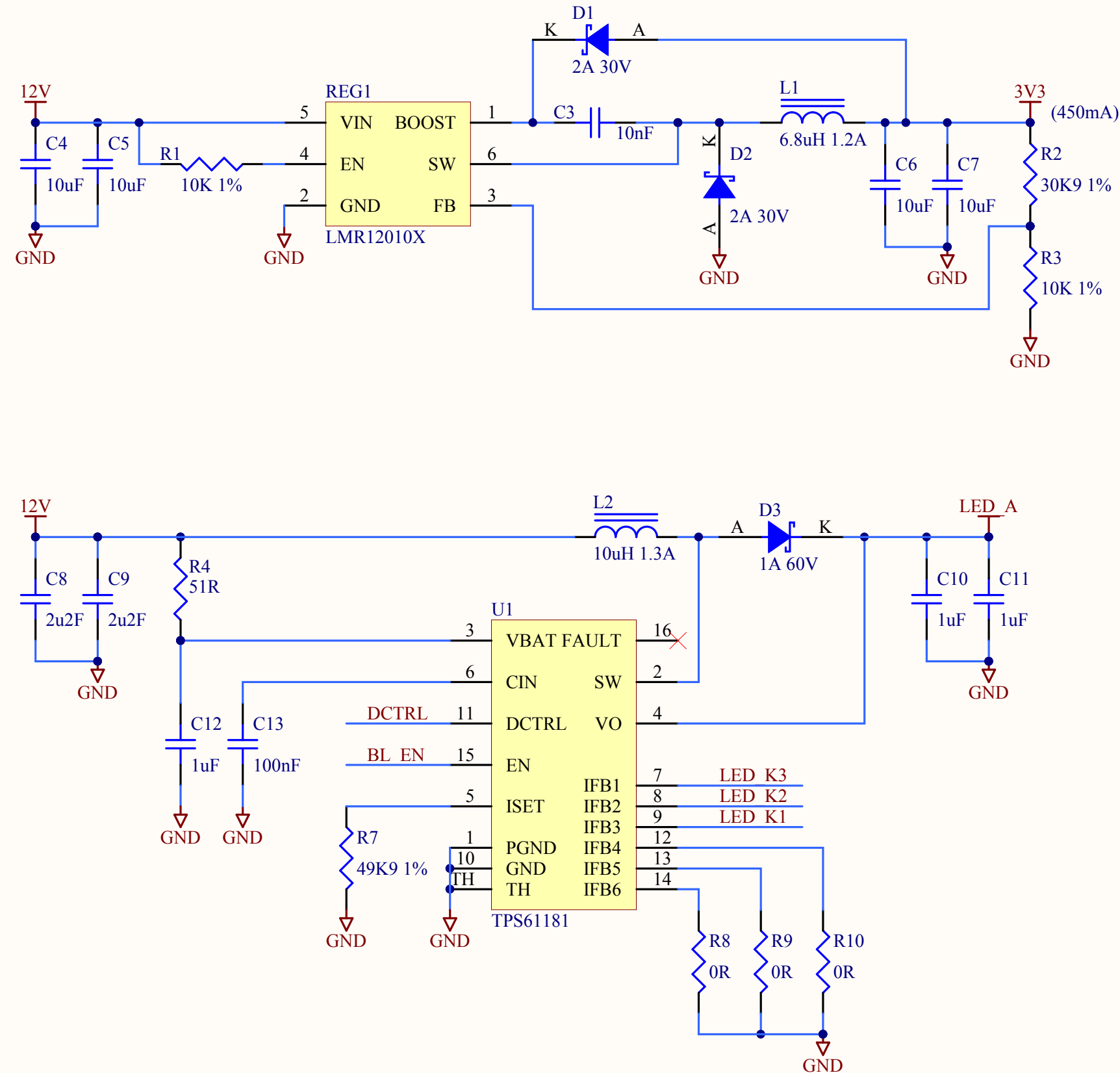
External 12V



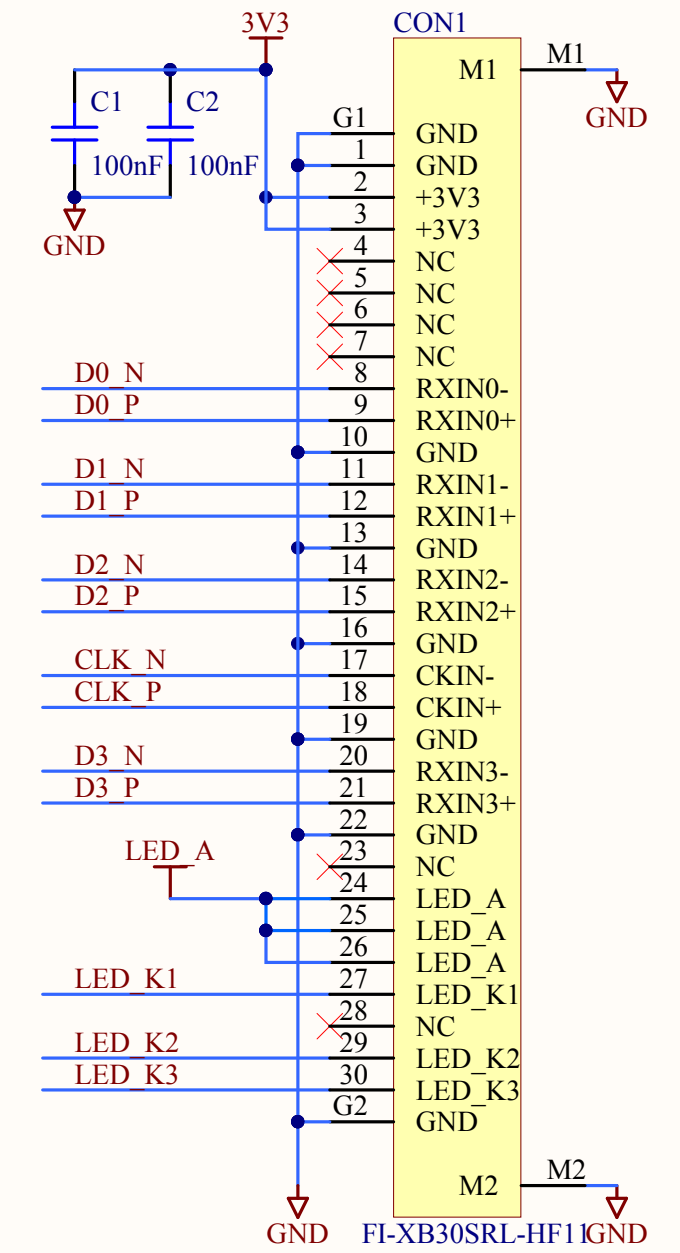
Ext. Backlit Control



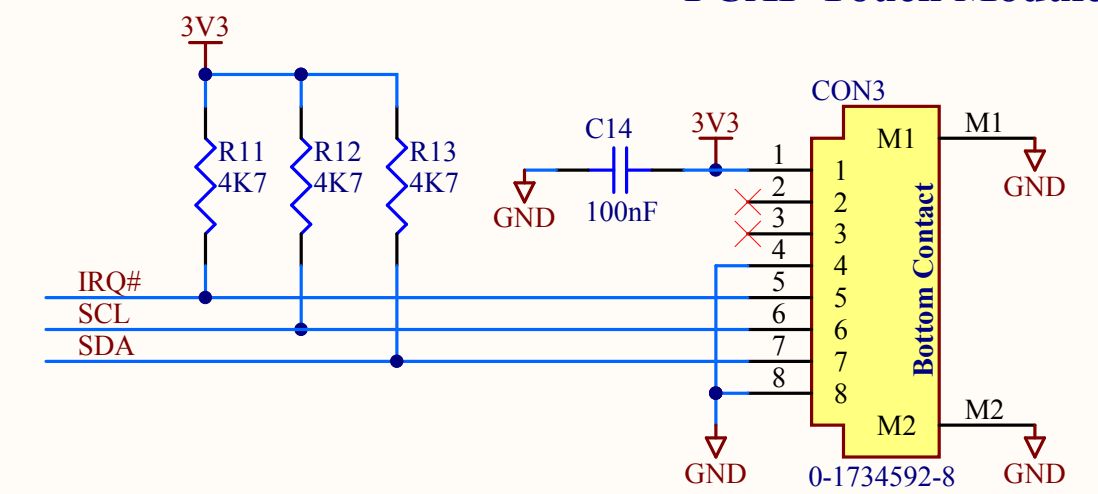
Power



Sharp LVDS interface



PCAP Touch Module



PCAP Development

