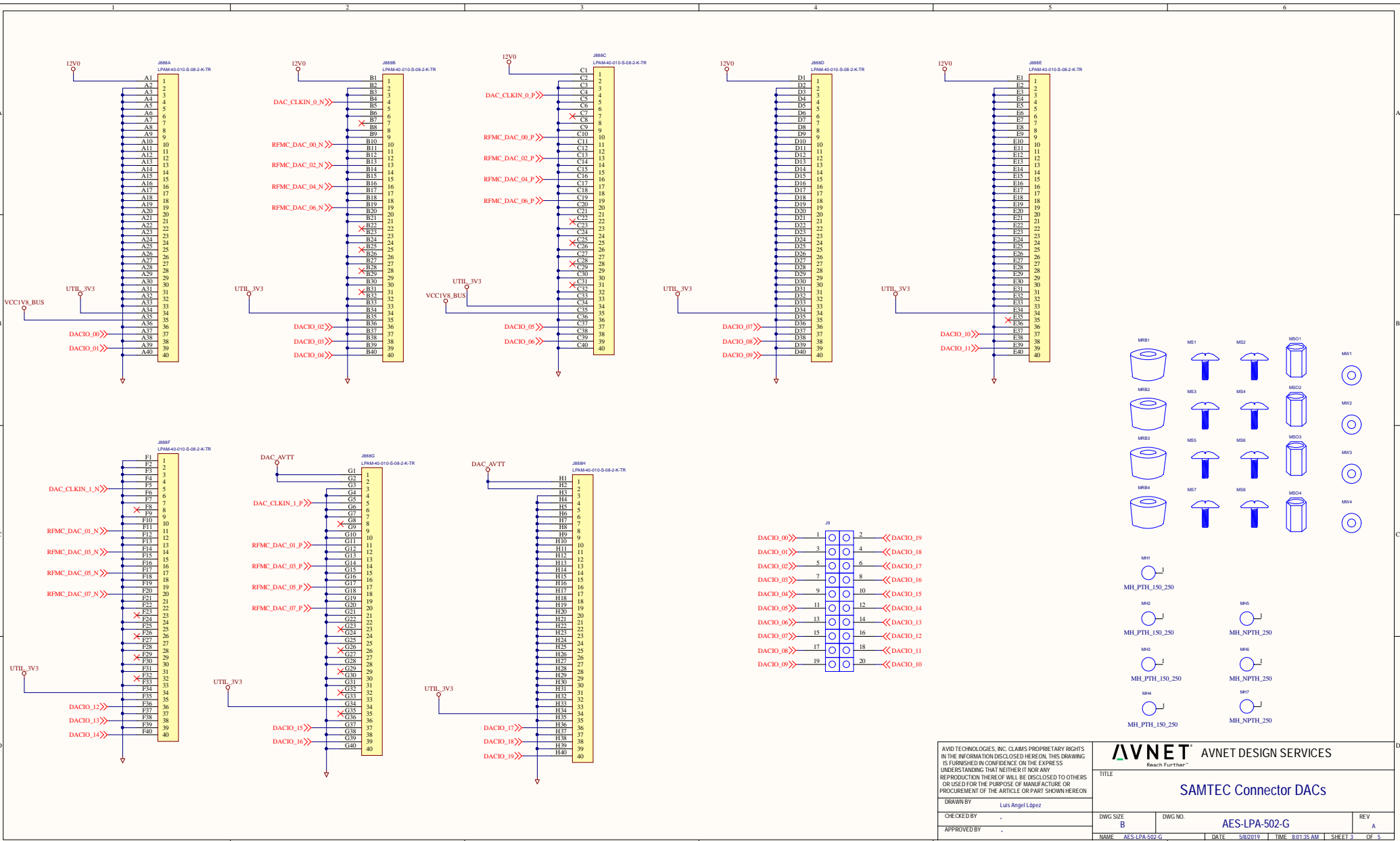


AVID TECHNOLOGIES, INC. CLAIMS PROPRIETARY RIGHTS IN THE INFORMATION DISCLOSED HEREON. THIS DRAWING IS FURNISHED IN CONFIDENCE ON THE EXPRESS UNDERSTANDING THAT NEITHER IT NOR ANY REPRODUCTION THEREOF WILL BE DISCLOSED TO OTHERS OR USED FOR THE PURPOSE OF MANUFACTURE OR PROCUREMENT OF THE ARTICLE OR PART SHOWN HEREON.		AVNET AVNET DESIGN SERVICES <small>Reach Further™</small>	
DRAWN BY: Luis Angel Lopez		TITLE: SAMTEC Connector ADCs	
CHECKED BY:	DWG SIZE: B	DWG NO.: AES-LPA-502-G	REV: A
APPROVED BY:	NAME: AES-LPA-502-G	DATE: 5/8/2019	TIME: 3:01:35 AM SHEET: 2 OF 5



AVID TECHNOLOGIES, INC. CLAIMS PROPRIETARY RIGHTS IN THE INFORMATION DISCLOSED HEREON. THIS DRAWING IS FURNISHED IN CONFIDENCE ON THE EXPRESS UNDERSTANDING THAT NEITHER IT NOR ANY REPRODUCTION THEREOF WILL BE DISCLOSED TO OTHERS OR USED FOR THE PURPOSE OF MANUFACTURE OR PROCUREMENT OF THE ARTICLE OR PART SHOWN HEREON.

AVNET AVNET DESIGN SERVICES
Reach Further™

TITLE: **SAMTEC Connector DACs**

DRAWN BY: Luis Angel Lopez

CHECKED BY: -

APPROVED BY: -

DWG SIZE: B

DWG NO.: AES-LPA-502-G

REV: A

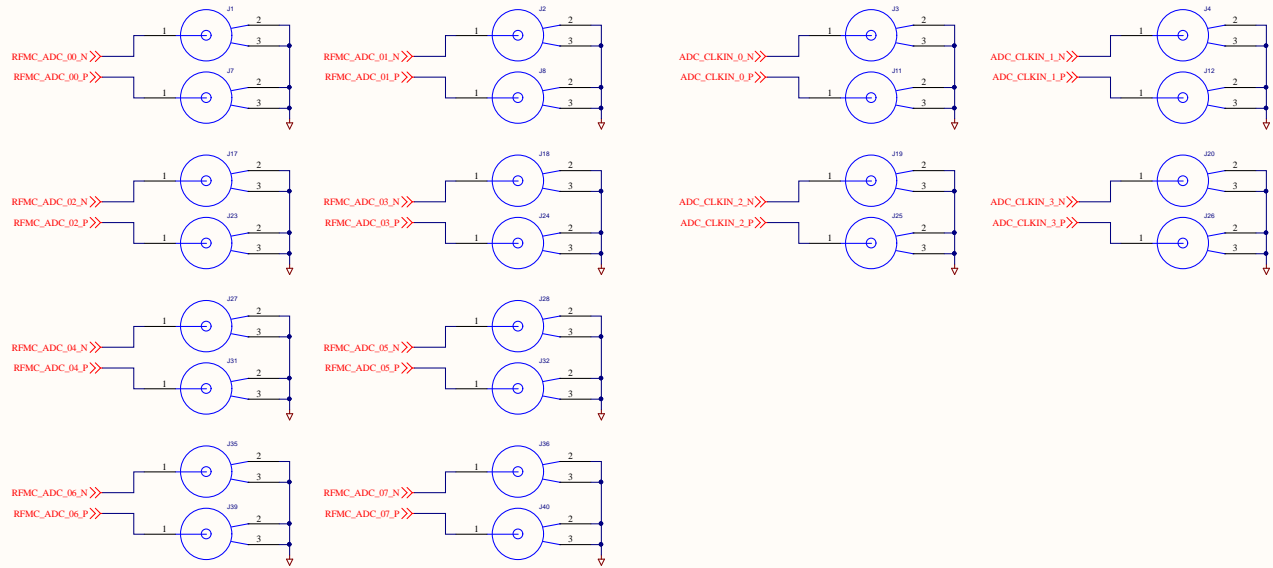
NAME: AES-LPA-502-G

DATE: 5/8/2019

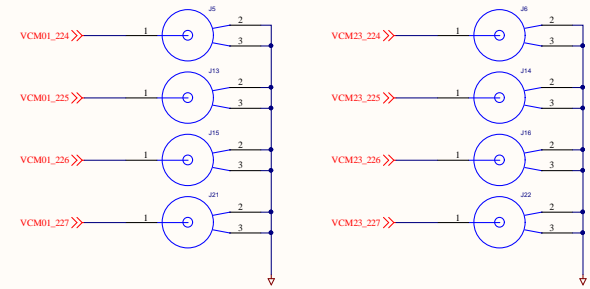
TIME: 3:01:35 AM

SHEET: 3 OF 5

ADC_SMA

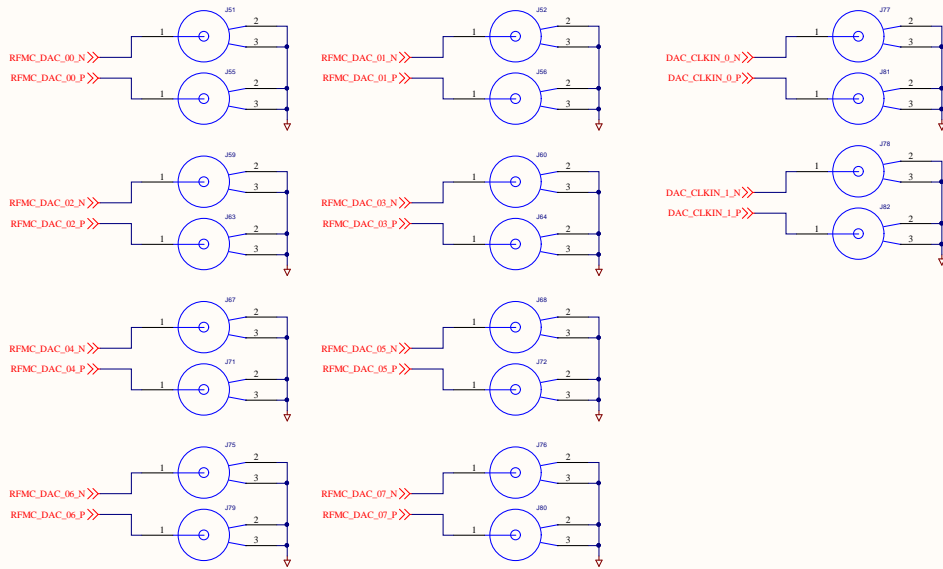


All signal pairs inside this box are differential pairs.



<small>AVID TECHNOLOGIES, INC. CLAIMS PROPRIETARY RIGHTS IN THE INFORMATION DISCLOSED HEREON. THIS DRAWING IS FURNISHED IN CONFIDENCE ON THE EXPRESS UNDERSTANDING THAT NEITHER IT NOR ANY REPRODUCTION THEREOF WILL BE DISCLOSED TO OTHERS OR USED FOR THE PURPOSE OF MANUFACTURE OR PROCUREMENT OF THE ARTICLE OR PART SHOWN HEREON</small>		AVNET DESIGN SERVICES Reach Further™	
DRAWN BY: Luis Angel Lopez		TITLE: SMA Connectors ADC	
CHECKED BY:	DWG SIZE: B	DWG NO.: AES-LPA-502-G	REV: A
APPROVED BY:	NAME: AES-LPA-502-G	DATE: 5/8/2019	TIME: 8:01:36 AM SHEET: 4 OF 5

DAC_SMA



All signal pairs inside this box are differential pairs.

<small>AVID TECHNOLOGIES, INC. CLAIMS PROPRIETARY RIGHTS IN THE INFORMATION DISCLOSED HEREON. THIS DRAWING IS FURNISHED IN CONFIDENCE ON THE EXPRESS UNDERSTANDING THAT NEITHER IT NOR ANY REPRODUCTION THEREOF WILL BE DISCLOSED TO OTHERS OR USED FOR THE PURPOSE OF MANUFACTURE OR PROCUREMENT OF THE ARTICLE OR PART SHOWN HEREON</small>		AVNET DESIGN SERVICES Reach Further™	
DRAWN BY: Luis Angel Lopez		TITLE: SMA Connectors DACs	
CHECKED BY:	DWG SIZE: B	DWG NO.: AES-LPA-502-G	REV: A
APPROVED BY:	NAME: AES-LPA-502-G	DATE: 5/8/2019	TIME: 8:01:36 AM SHEET: 5 OF 5