

MBCC-BKO (MicroZed Board Carrier Card - Breakout)	
Avnet Design Services HKADS-13-10-HW-0100	
www.microzed.org	
Function	Sheet Number
01.Cover	1
02.MicroHeader	2
03.Power	3
04.PrototypingArea	4
05.Revision	5



MBCC-BKO


14 Nov 13

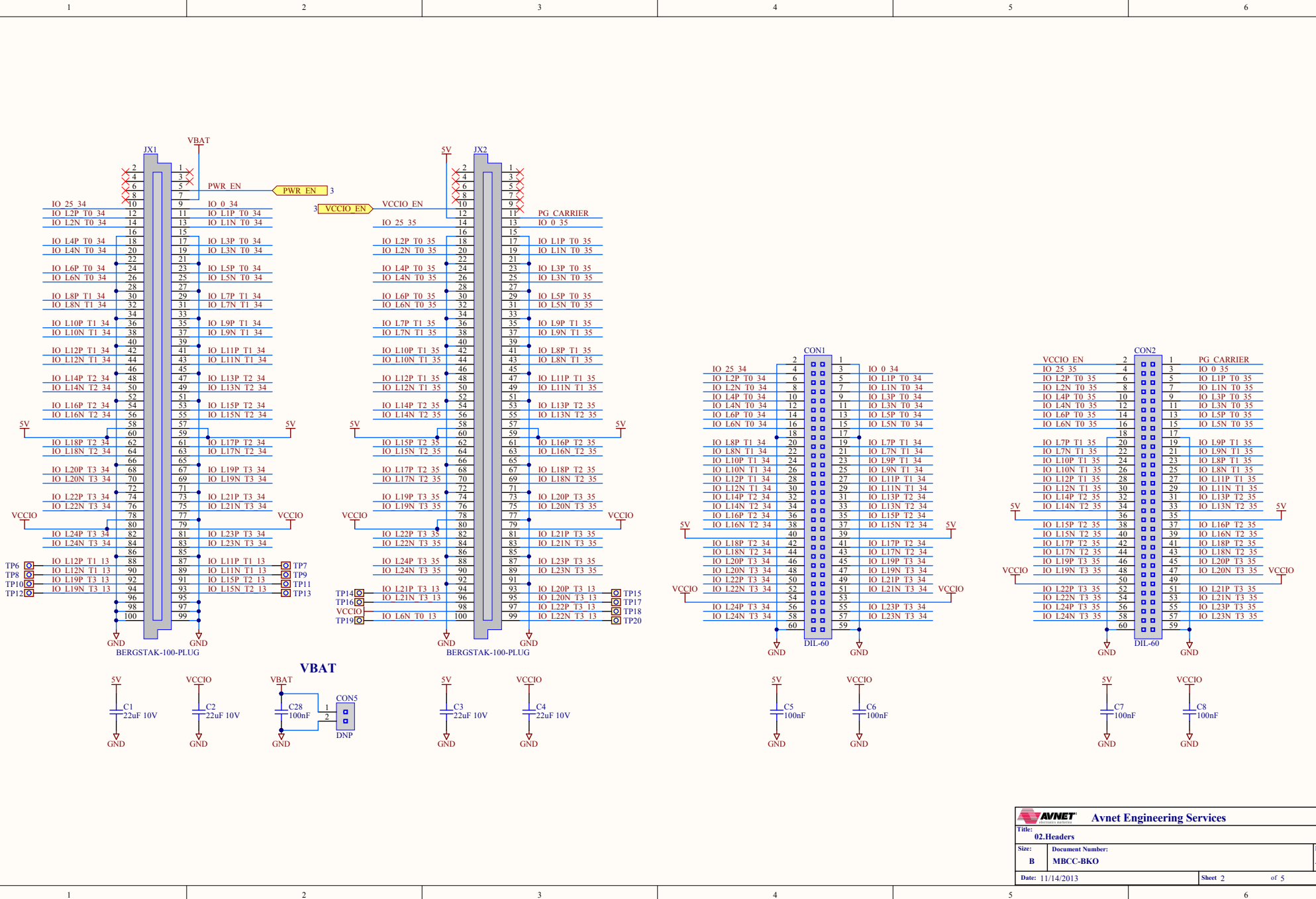
Copyright 2013, Avnet, Inc. All Rights Reserved.

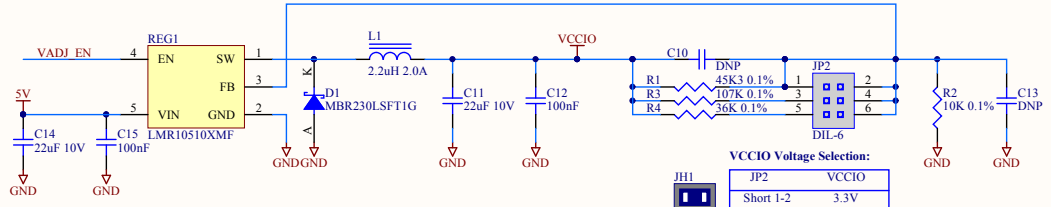
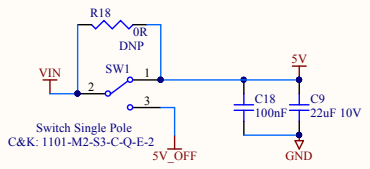
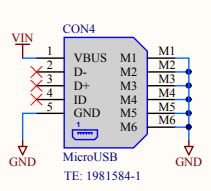
This material may not be reproduced, distributed, republished, displayed, posted, transmitted or copied in any form or by any means without the prior written permission of Avnet, Inc. AVNET and the AV logo are registered trademarks of Avnet, Inc. All trademarks and trade names are the properties of their respective owners and Avnet, Inc. disclaims any proprietary interest or right in trademarks, service marks and trade names other than its own.

Avnet is not responsible for typographical or other errors or omissions or for direct, indirect, incidental or consequential damages related to this material or resulting from its use. Avnet makes no warranty or representation respecting this material, which is provided on an "AS IS" basis. AVNET HEREBY DISCLAIMS ALL WARRANTIES OR LIABILITY OF ANY KIND WITH RESPECT THERETO, INCLUDING, WITHOUT LIMITATION, REPRESENTATIONS REGARDING ACCURACY AND COMPLETENESS, ALL IMPLIED WARRANTIES AND CONDITIONS OF MERCHANTABILITY, SUITABILITY OR FITNESS FOR A PARTICULAR PURPOSE, TITLE AND/OR NON-INFRINGEMENT. This material is not designed, intended or authorized for use in medical, life support, life sustaining or nuclear applications or applications in which the failure of the product could result in personal injury, death or property damage. Any party using or selling products for use in any such applications do so at their sole risk and agree that Avnet is not liable, in whole or in part, for any claim or damage arising from such use, and agree to fully indemnify, defend and hold harmless Avnet from and against any and all claims, damages, loss, cost, expense or liability arising out of or in connection with the use or performance of products in such applications.



 Avnet Engineering Services	
Title: 01.Cover	
Size: B	Document Number: MBCC-BKO
Date: 11/14/2013	Rev: A
Sheet 1 of 5	

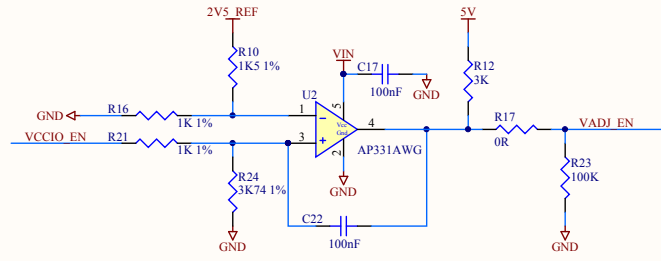
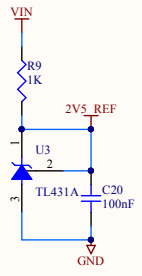
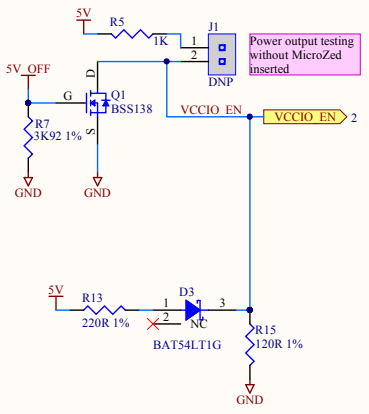
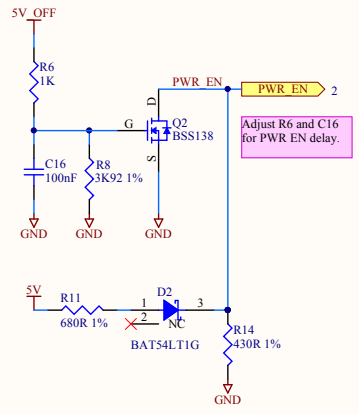




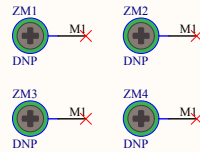
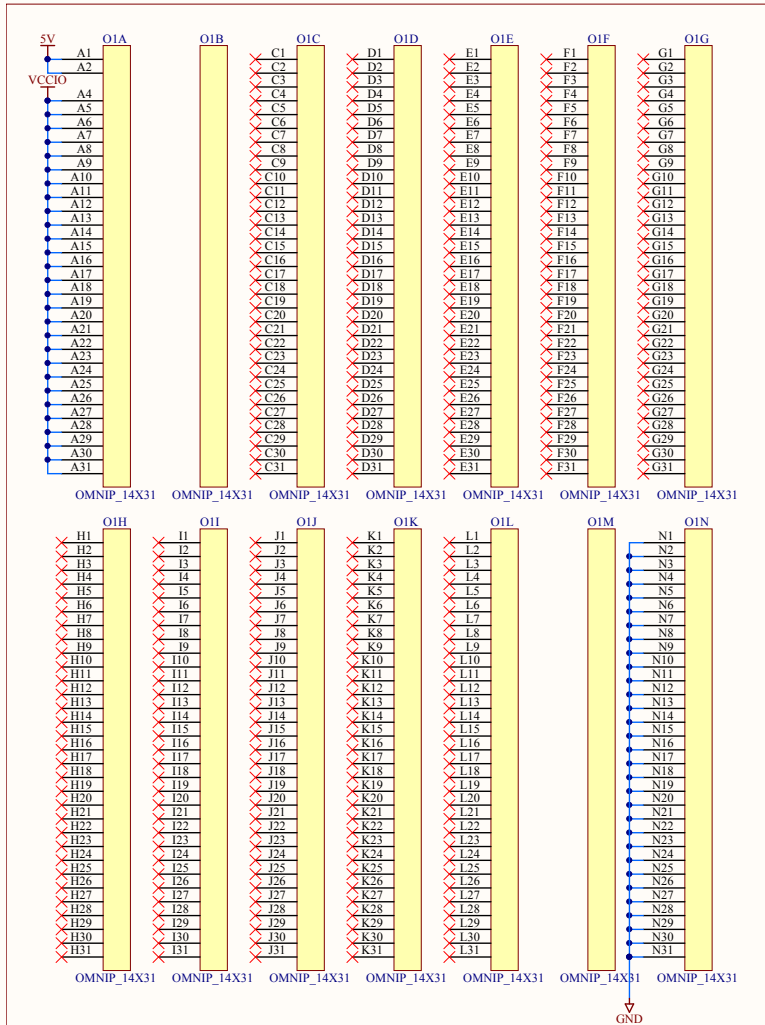
VCCIO Voltage Selection:

JP2	VCCIO
Short 1-2	3.3V
Short 3-4	2.5V
Short 5-6	1.8V

Default set 3.3V
Short 1-2/No Jumper Insert



Prototyping Area



Avnet Engineering Services		
Title: 04.Prototyping Area		
Size: B	Document Number: MBCC-BKO	Rev: A
Date: 11/14/2013	Sheet 4	of 5

Revision / History

- 0 Initial Version
- 0-A Add MicroUSB for board power
Revise designator naming
Revise connection on PWR_EN, VP/N & DXP/N
- 0-B Add power control circuitry with Q1 & Q2
Add R18 for option without using SW1
Add C18
- 0-C Revise package and part number
- A Mated with PCB V-A

A

A

B


B

C

C

D

D

 Avnet Engineering Services		
Title: 05.Revision		
Size: B	Document Number: MBCC-BKO	Rev: A
Date: 11/14/2013		Sheet 5 of 5