

| | | | | | | | |
|---|------|--------|----------|-----------|--|--|--|
| <p>THIS DRAWING IS THE PROPERTY OF ANALOG DEVICES INC. IT IS NOT TO BE REPRODUCED OR COPIED, IN WHOLE OR IN PART, OR USED IN FURNISHING INFORMATION TO OTHERS, OR FOR ANY OTHER PURPOSE DETRIMENTAL TO THE INTERESTS OF ANALOG DEVICES. THE EQUIPMENT SHOWN HEREON MAY BE PROTECTED BY PATENTS OWNED OR CONTROLLED BY ANALOG DEVICES.</p> | | | | | | | |
| RELAY CONTROL CHART | | | | | | | |
| CONTROL | CODE | DEVICE | FUNCTION | CONNECTOR | | | |
| | | | | | | | |
| | | | | | | | |
| | | | | | | | |
| | | | | | | | |
| | | | | | | | |
| | | | | | | | |
| | | | | | | | |
| | | | | | | | |
| | | | | | | | |
| | | | | | | | |
| | | | | | | | |
| | | | | | | | |
| | | | | | | | |

| JUMPER TABLE | | |
|--------------|----|-----|
| JP# | ON | OFF |
| 1 | | |
| 2 | | |
| 3 | | |
| 4 | | |
| 5 | | |

* SEE ASSEMBLY INSTRUCTIONS

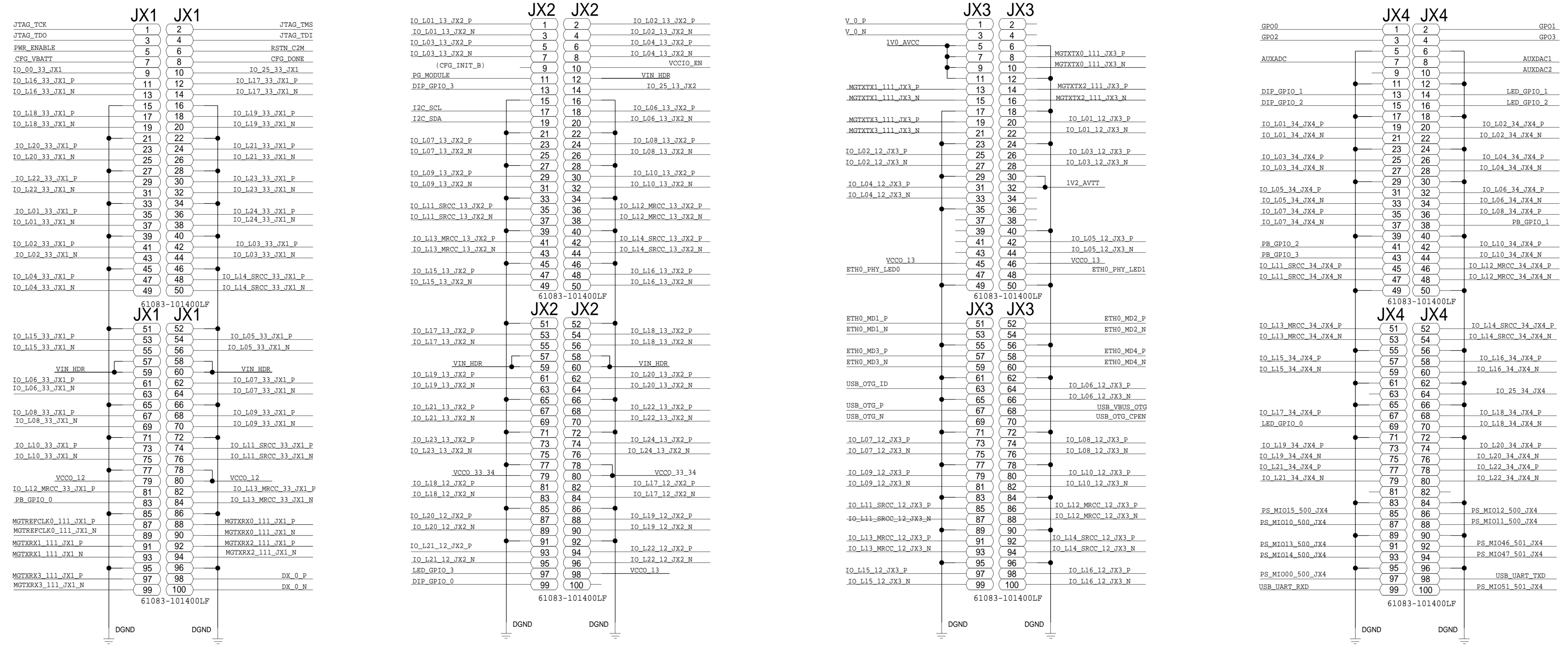
| REVISIONS | | | |
|-----------|------------------|----------|-------------|
| REV | DESCRIPTION | DATE | APPROVED |
| A | INITIAL RELEASE | MAR-2015 | C. ELKHOORY |
| B | AS PER ECR-53834 | AUG-2015 | C. ELKHOORY |
| C | AS PER ECR-58299 | JAN-2016 | C. ELKHOORY |

| | | | | |
|-----------|-------------|------------|-----------|---------|
| | | | | |
| | | | | |
| | | | | |
| | | | | |
| | | | | |
| | | | | |
| | | | | |
| P.O SPEC. | BK/BD SPEC. | SOCKET OEM | OEM PART# | HANDLER |

| | | | | |
|---|----------|--|---------------------------------|--------------|
| TEMPLATE ENGINEER N/A | DATE | <h1>SCHEMATIC</h1> | | |
| HARDWARE SERVICES R. MACDONALD | JAN-2016 | | | |
| HARDWARE SYSTEMS N/A | | HW TYPE : Customer Evaluation | | |
| TEST ENGINEER N/A | | Product(s): ADP50 | | |
| COMPONENT ENGINEER G. CELEDONIO | JAN-2016 | : ADP5052 | | |
| TEST PROCESS N/A | | PACKAGE : PinCount-lead N/A Package-family | | |
| HARDWARE RELEASE R. AMARILLE | JAN-2016 | : Pitch-pitch StyleVendor Style | | |
| DESIGNER ACDI | JAN-2016 | <User Define> | | |
| PTD ENGINEER C. ELKHOORY | JAN-2016 | <User Define> | | |
| CHECKER N/A | | <User Define> | | |
| MASTER PROJECT TEMPLATE TBD | | TESTER TEMPLATE no_template | DRAWING NO. 02_039931 | |
| UNLESS OTHERWISE SPECIFIED DIMENSIONS ARE IN INCHES | | | | |
| TOLERANCES | | DECIMALS X.XX +0.010 X.XXX +0.005 | FRACTIONS +1/32 | ANGLES +2 |
| SIZE | SCALE | CODE ID NO. | SHEET 1 | REV. C |
| D | 1:1 | CodeID | OF 7 | |

AD9361-ZYNQ CARRIER TO MODULE CONNECTORS

| REVISIONS | | | |
|-----------|-------------|------|----------|
| REV | DESCRIPTION | DATE | APPROVED |
| | | | |



| | | |
|-------------------|----|-------------------|
| MGTXRK0_111_JX1_P | == | MGTXTX0_111_JX3_P |
| MGTXRK0_111_JX1_N | == | MGTXTX0_111_JX3_N |
| MGTXRK1_111_JX1_P | == | MGTXTX1_111_JX3_P |
| MGTXRK1_111_JX1_N | == | MGTXTX1_111_JX3_N |
| MGTXRK2_111_JX1_P | == | MGTXTX2_111_JX3_P |
| MGTXRK2_111_JX1_N | == | MGTXTX2_111_JX3_N |
| MGTXRK3_111_JX1_P | == | MGTXTX3_111_JX3_P |
| MGTXRK3_111_JX1_N | == | MGTXTX3_111_JX3_N |

| | | | |
|------------------------------|---|--------------|--------------|
| | SCHEMATIC | | |
| | HW TYPE : Customer Evaluation Product(s) : ADP50 : ADP5052 | | |
| DESIGN VIEW <DESIGN_VIEW> | DRAWING NO. 02_039931 | REV C | |
| PTD ENGINEER C. ELKHOURY | SIZE D | SCALE 1:1 | SHEET 2 OF 7 |

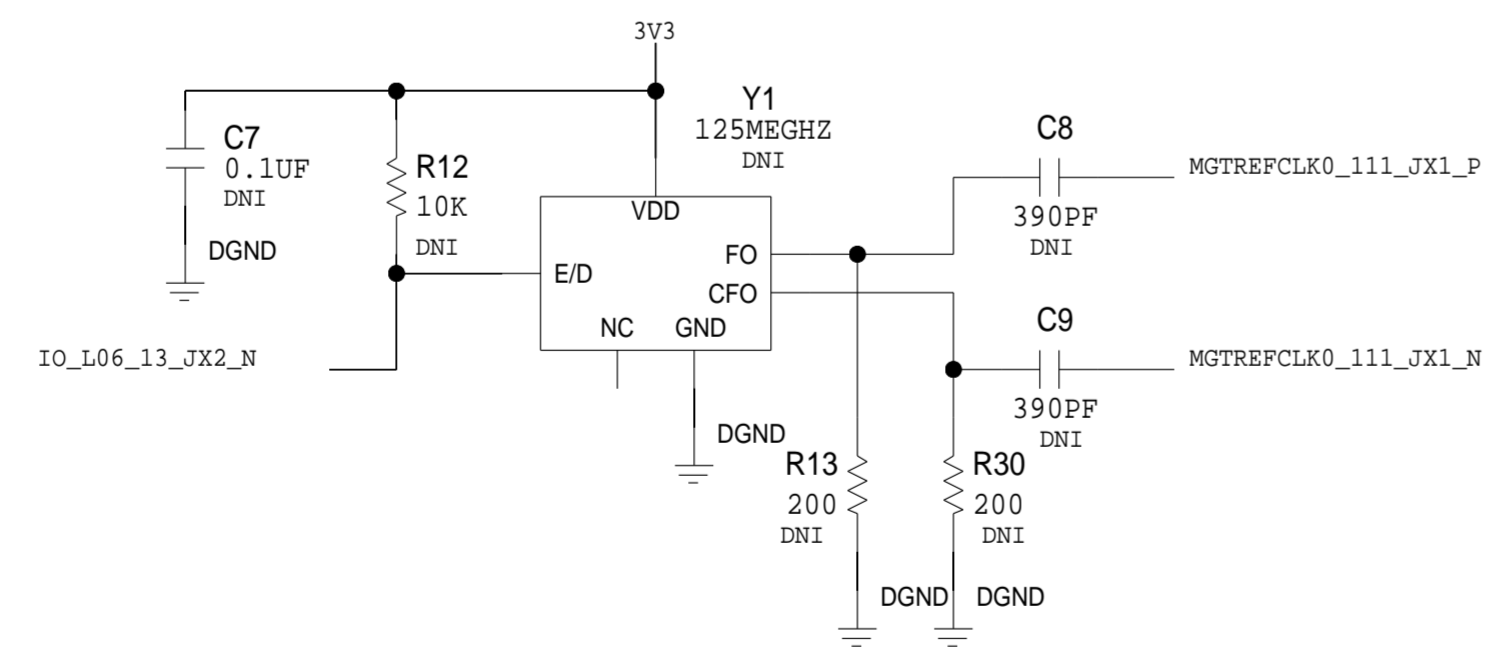
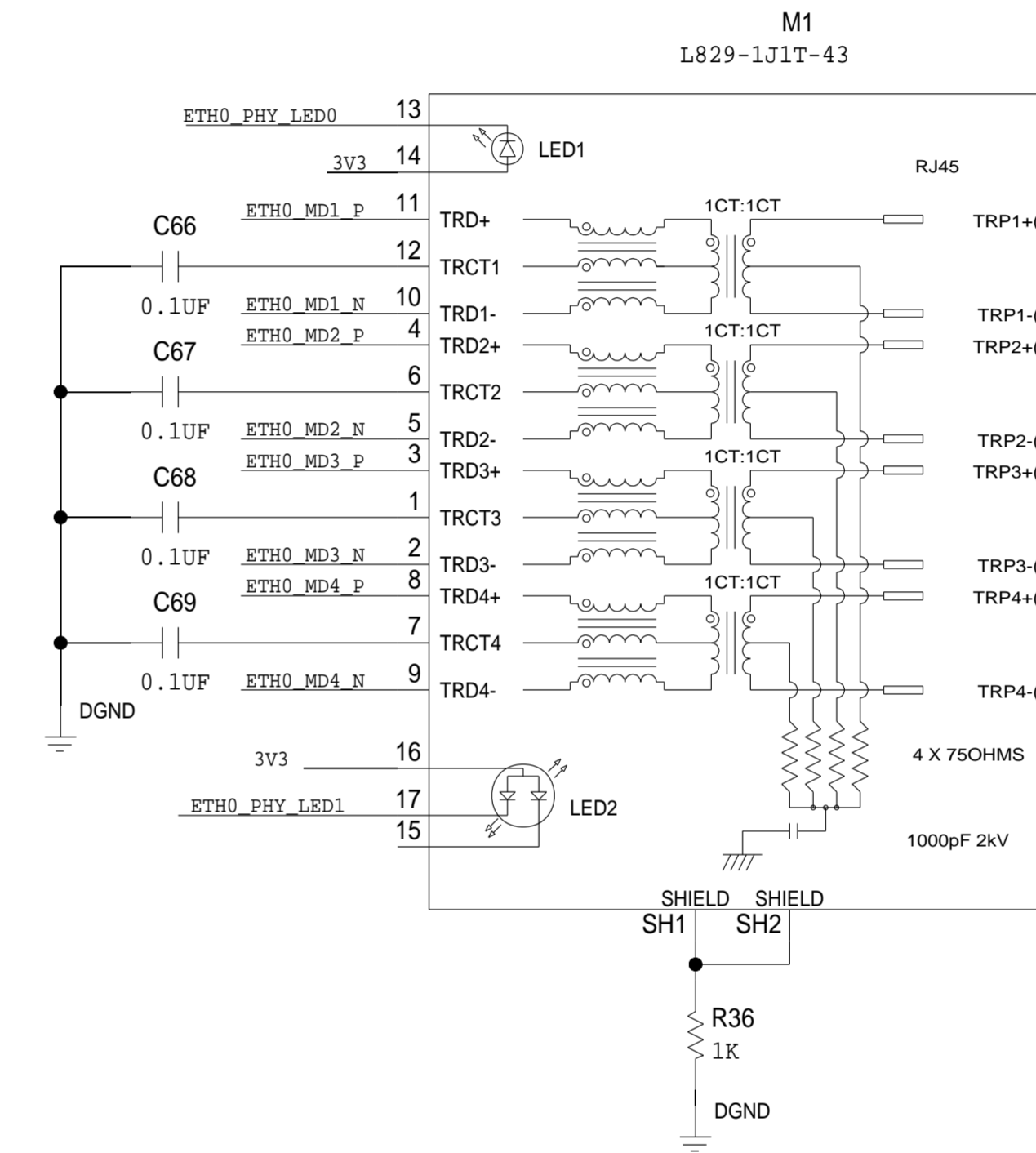
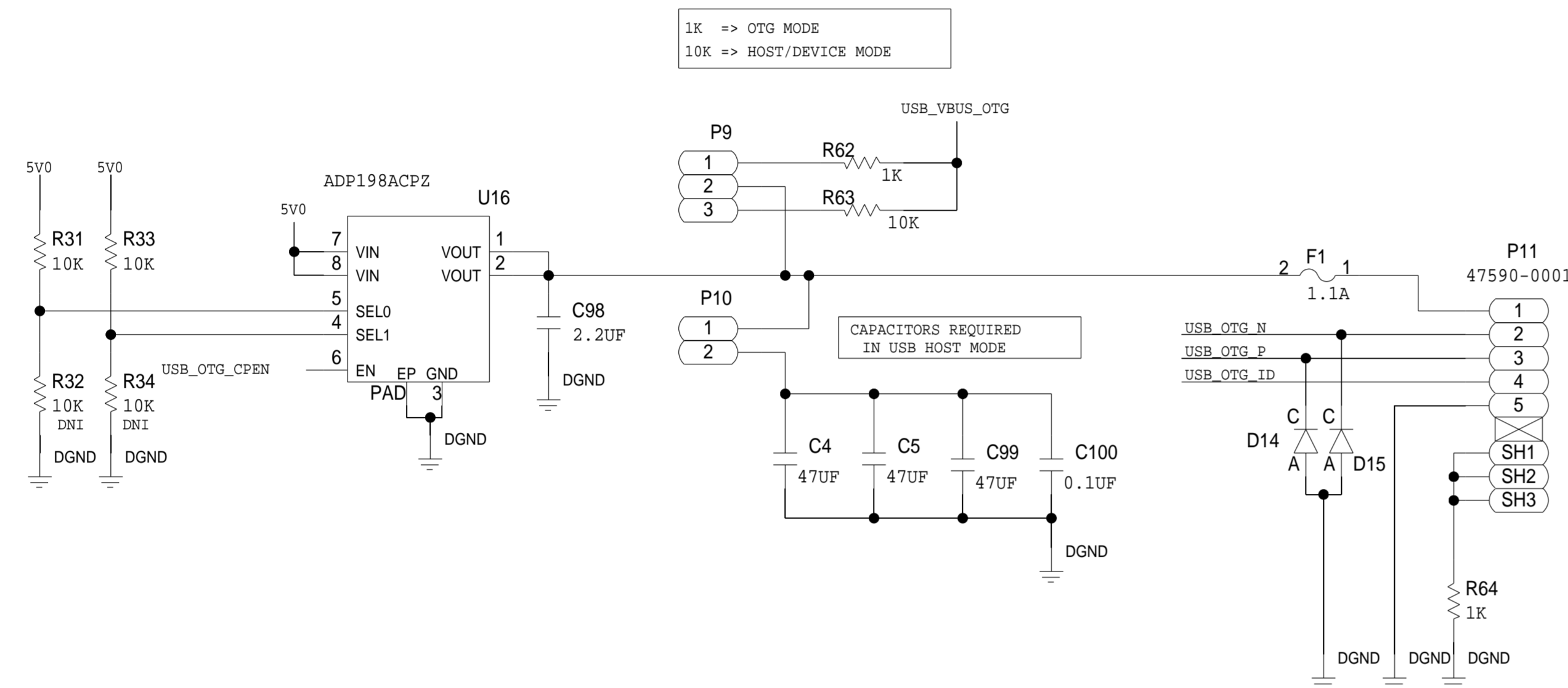
THIS DRAWING IS THE PROPERTY OF ANALOG DEVICES INC. IT IS NOT TO BE REPRODUCED OR COPIED, IN WHOLE OR IN PART, OR USED IN ANY MANNER THAT IS DETRIMENTAL TO THE INTERESTS OF ANALOG DEVICES. THE EQUIPMENT SHOWN HEREON MAY BE PROTECTED BY PATENTS OWNED OR CONTROLLED BY ANALOG DEVICES.

USB AND ETHERNET CONNECTORS

PASSIVE CONN

REVISIONS

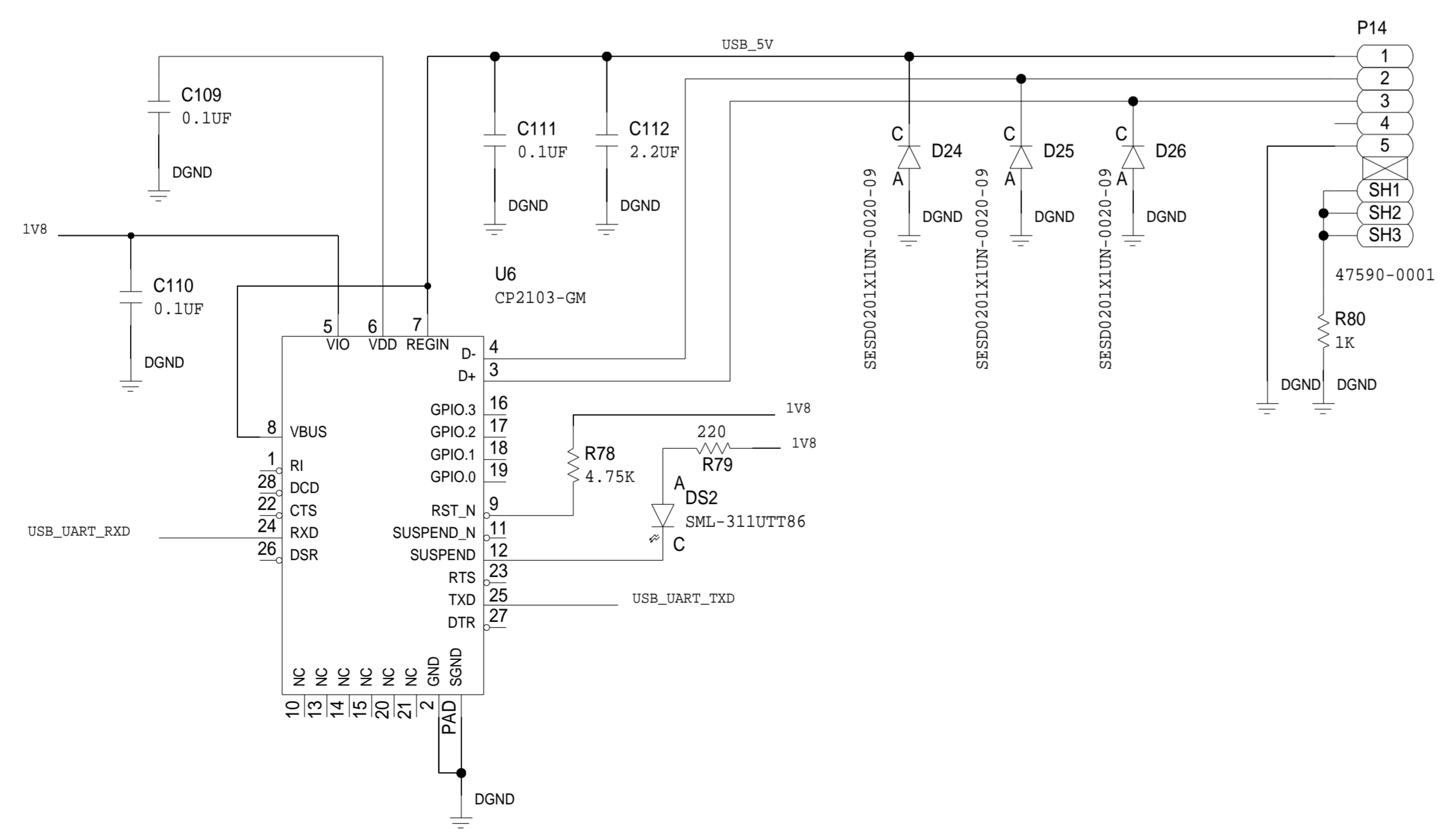
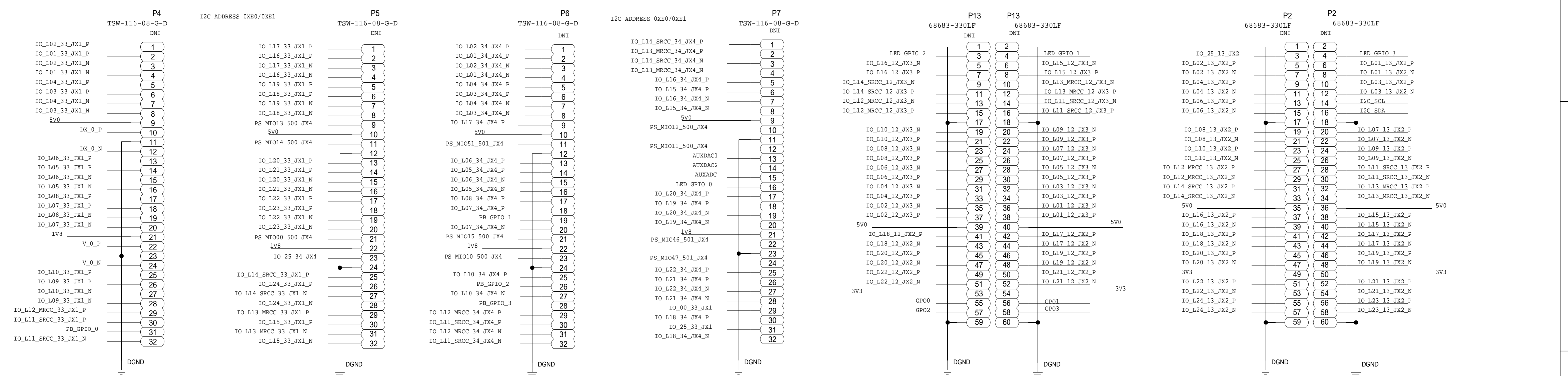
| REV | DESCRIPTION | DATE | APPROVED |
|-----|-------------|------|----------|
| | | | |



| ANALOG DEVICES | | SCHEMATIC | | |
|---|--|---|--------------------------|--------------|
| <small>THIS DRAWING IS THE PROPERTY OF ANALOG DEVICES INC. IT IS NOT TO BE REPRODUCED OR COPIED, IN WHOLE OR IN PART, OR USED IN FURNISHING INFORMATION TO OTHERS, OR FOR ANY OTHER PURPOSE DETRIMENTAL TO THE INTERESTS OF ANALOG DEVICES. THE EQUIPMENT SHOWN HEREON MAY BE PROTECTED BY PATENTS OWNED OR CONTROLLED BY ANALOG DEVICES.</small> | | HW TYPE : Customer Evaluation Product(s) : ADP50 : ADP5052 | | |
| | | DESIGN VIEW <DESIGN_VIEW> | DRAWING NO. 02_039931 | REV C |
| PTD ENGINEER C. ELKHOURY | | SIZE D | SCALE 1:1 | SHEET 3 OF 7 |

USB -> SERIAL, BREAKOUT

| REVISIONS | | | |
|-----------|-------------|------|----------|
| REV | DESCRIPTION | DATE | APPROVED |
| | | | |



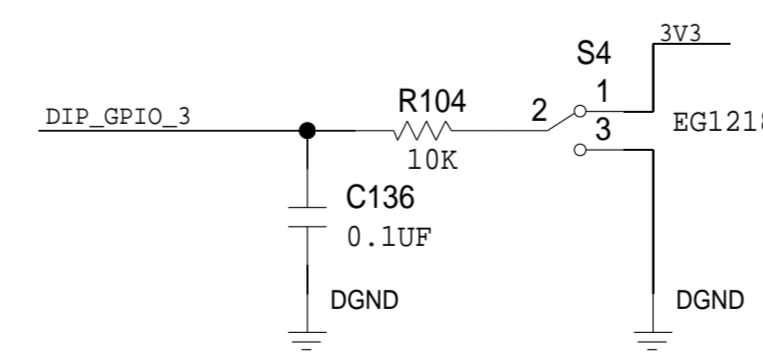
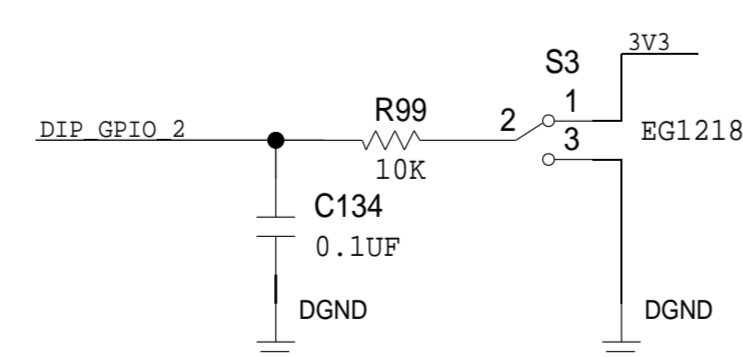
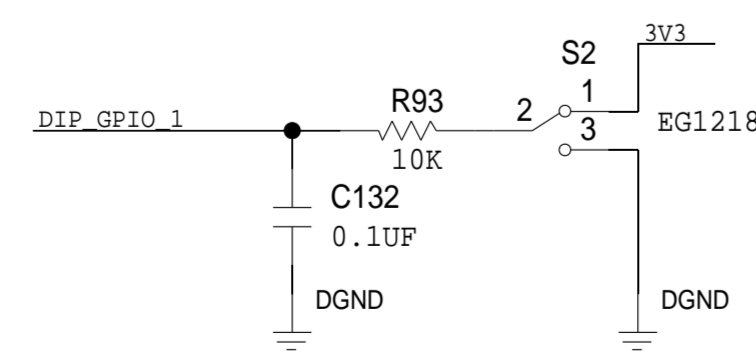
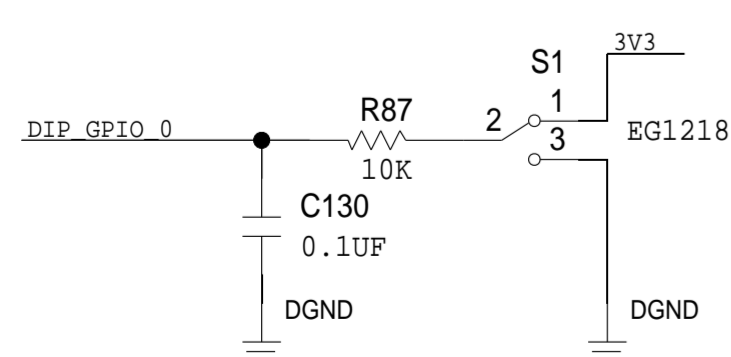
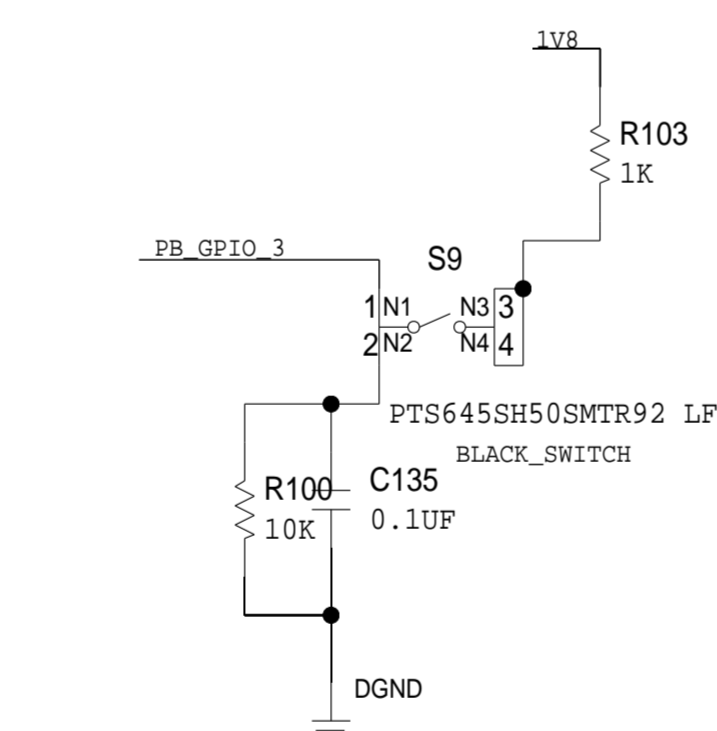
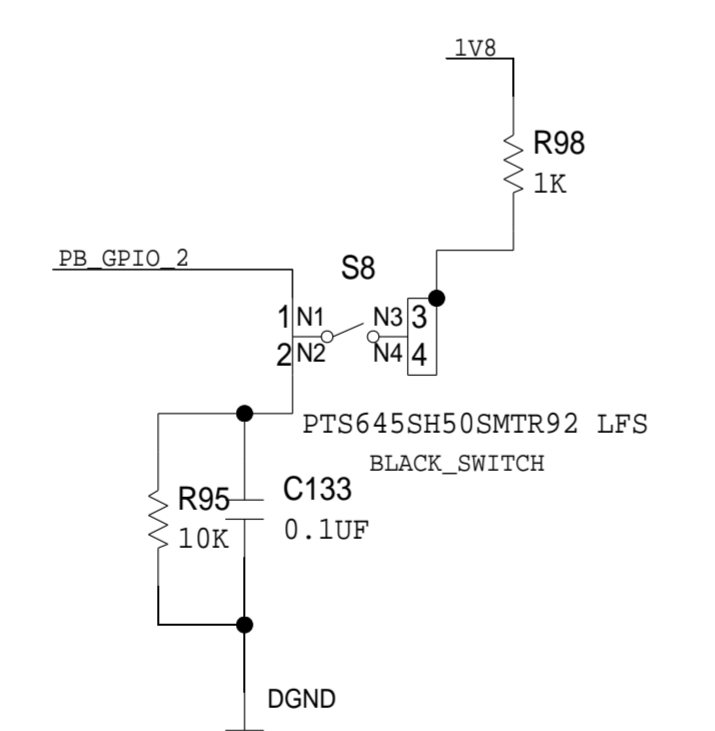
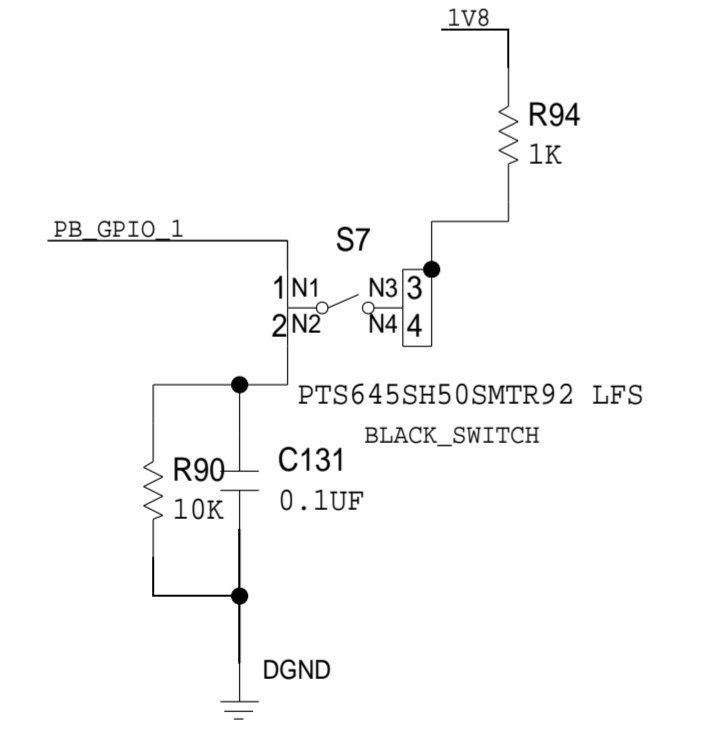
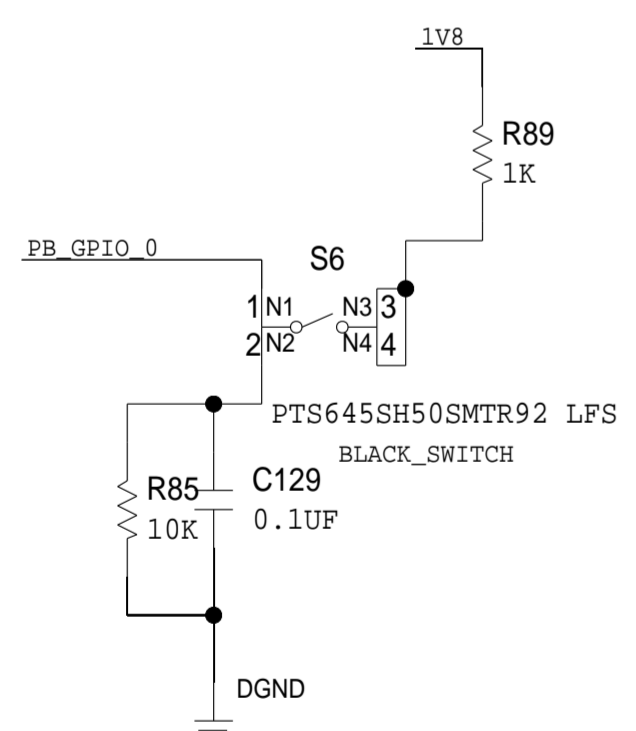
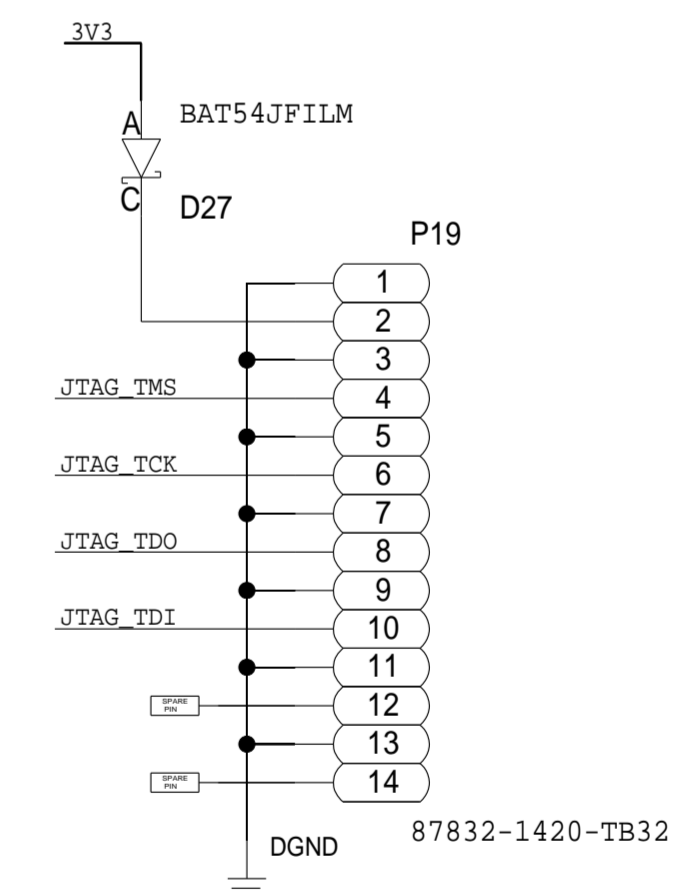
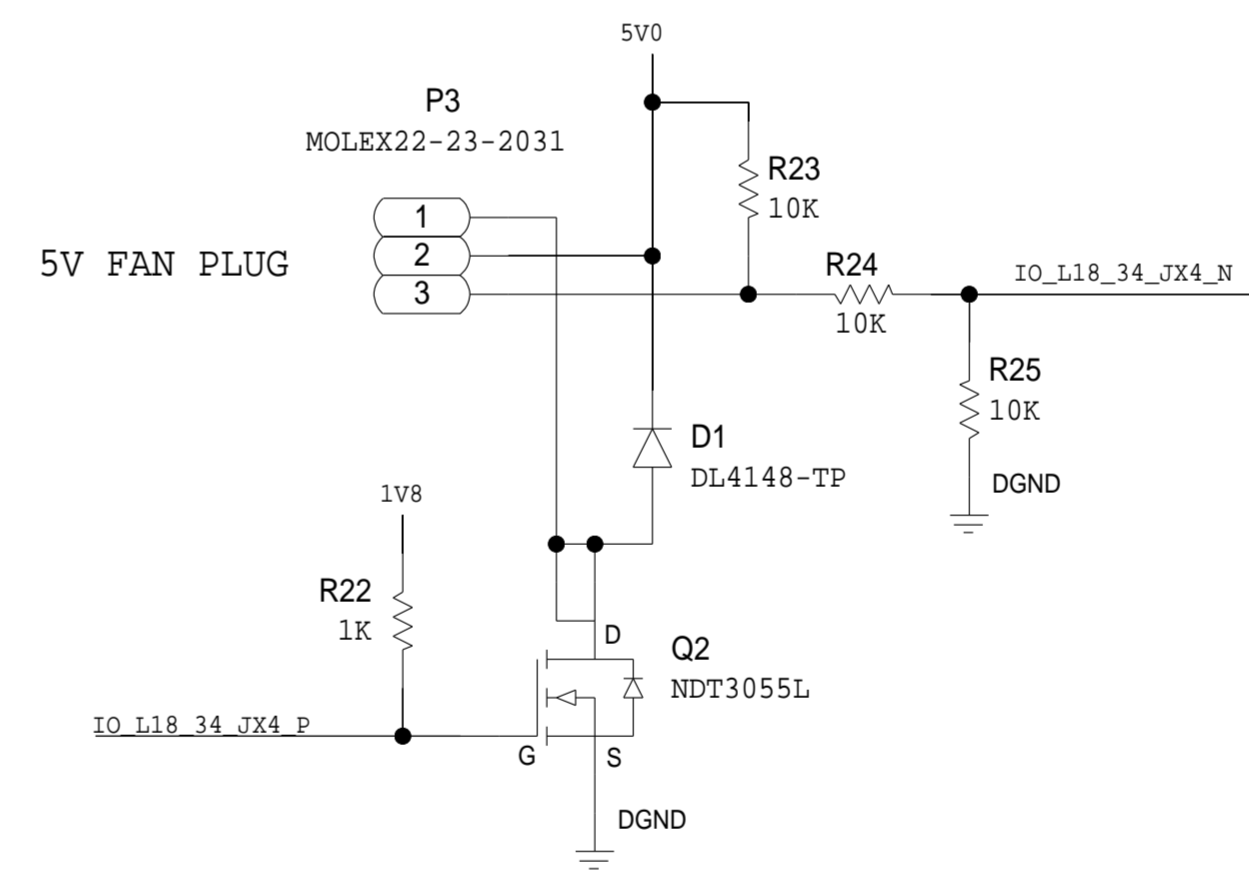
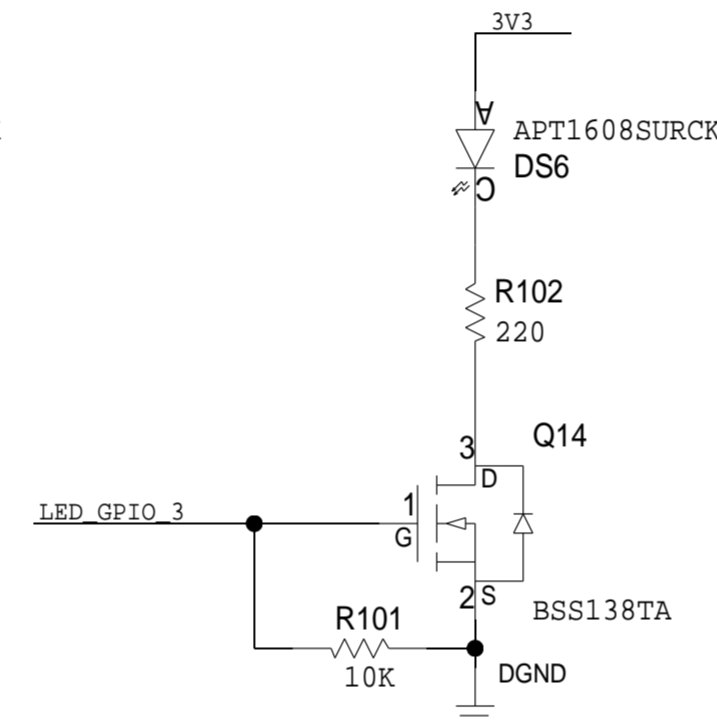
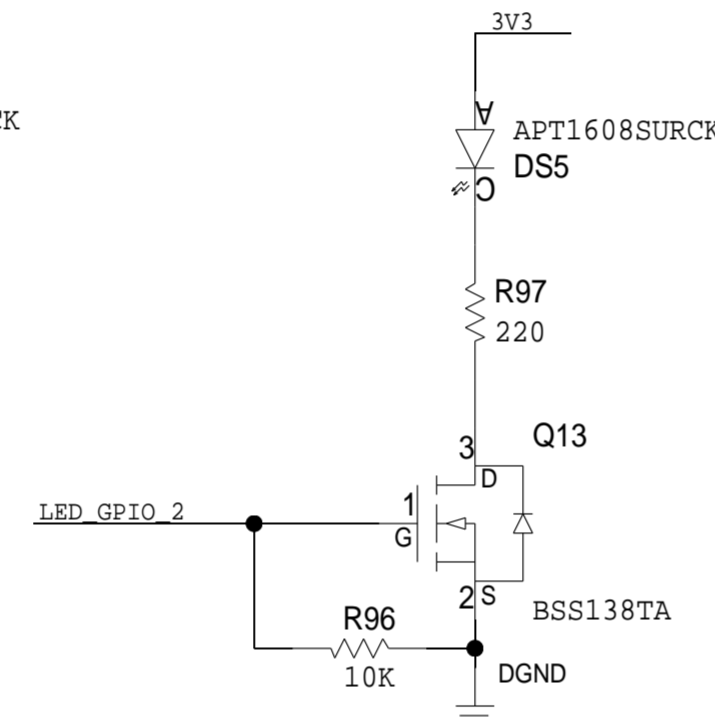
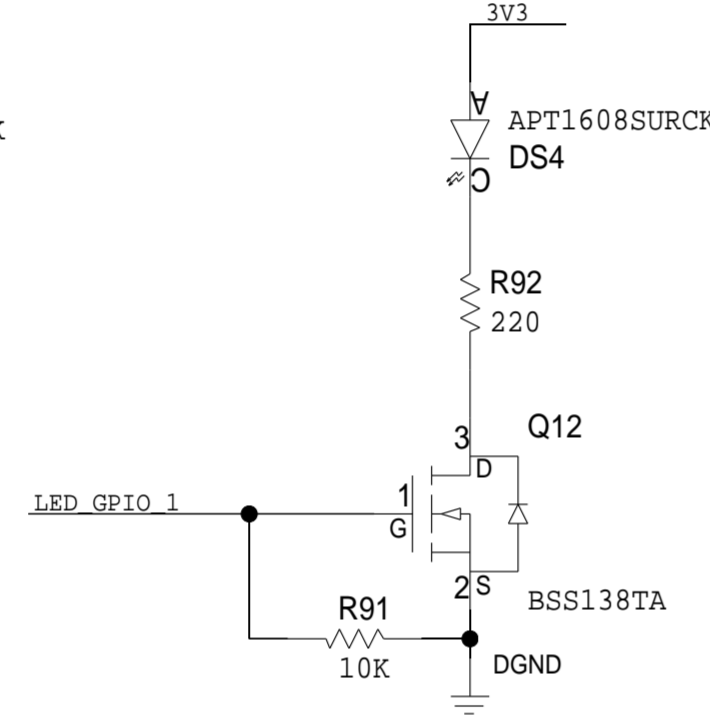
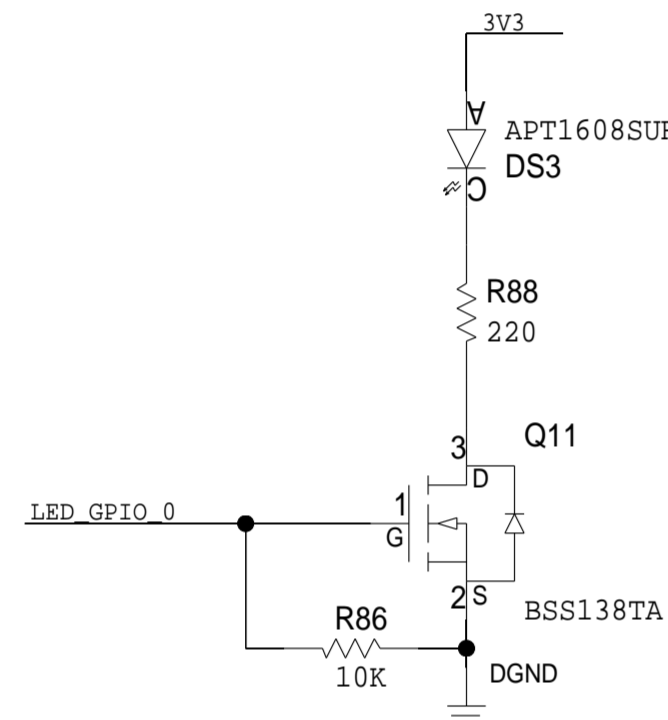
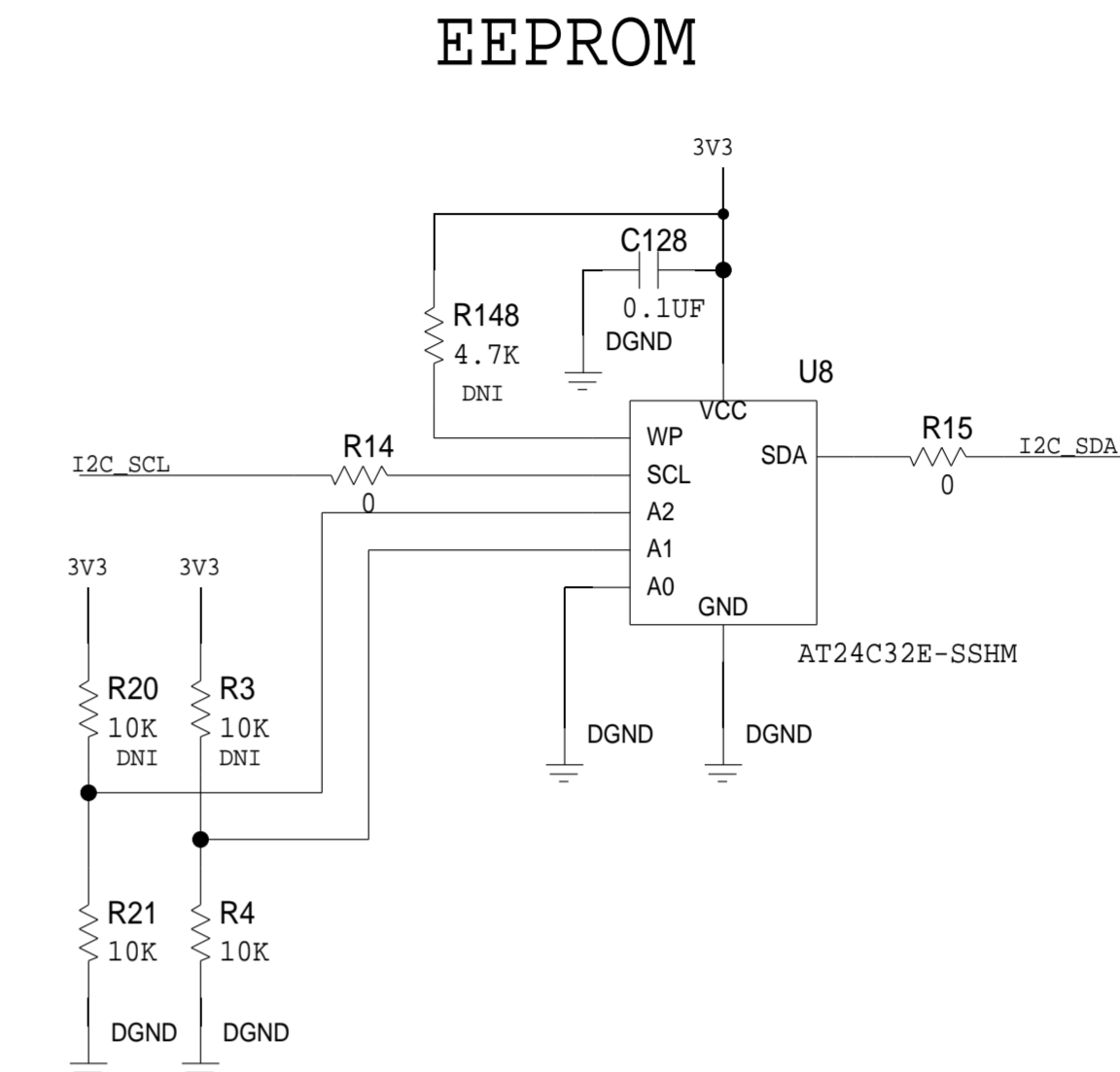
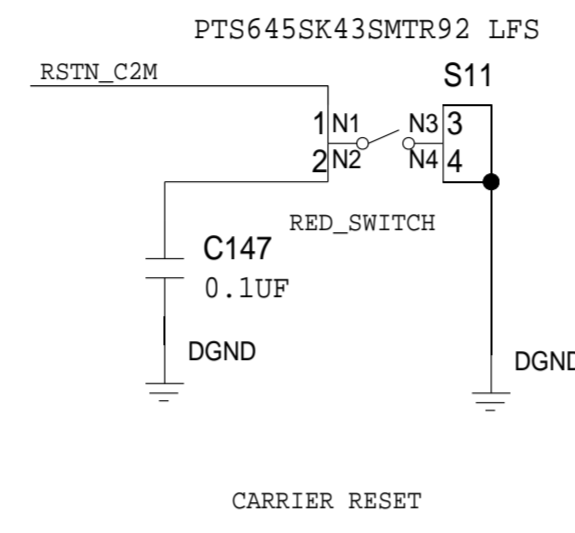
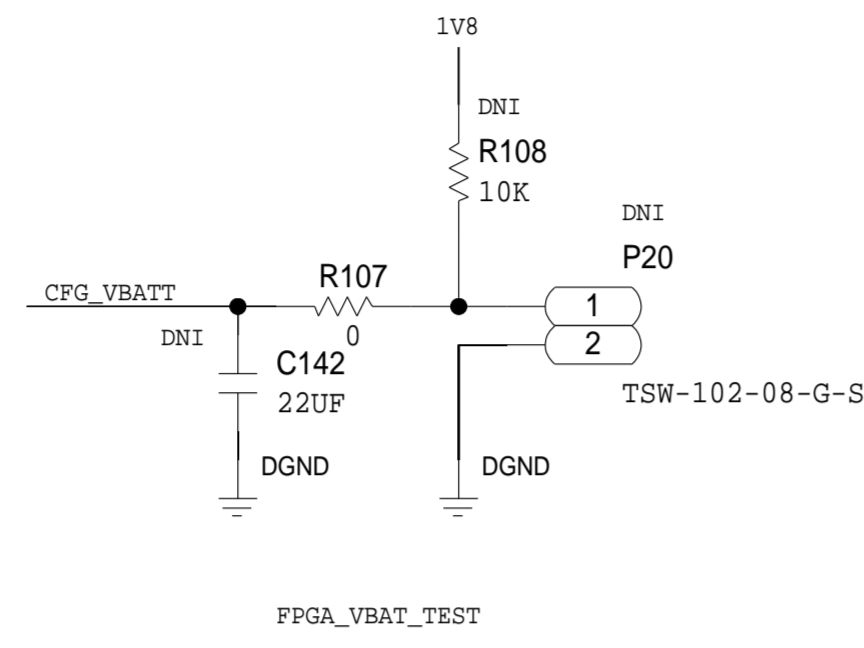
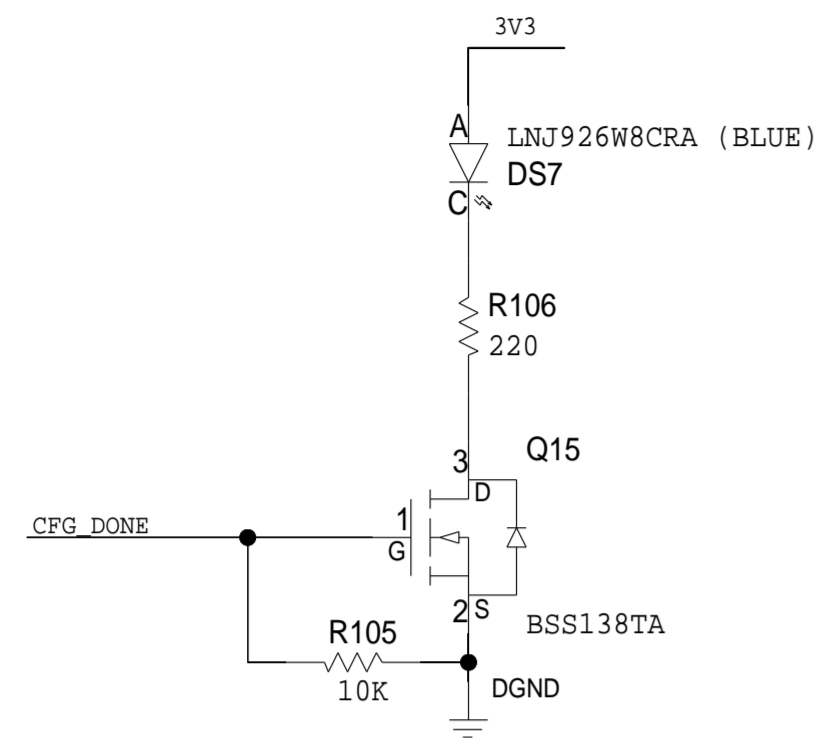
| SCHEMATIC | | | |
|-------------------------------|--|-----------------------|-----------|
| HW TYPE : Customer Evaluation | | DRAWING NO. 02_039931 | |
| Product(s) : ADP50 | | REV C | |
| DESIGN VIEW <DESIGN_VIEW> | | SIZE D | SCALE 1:1 |
| PTD ENGINEER C. ELKHOURY | | SHEET 4 | OF 7 |

ANALOG DEVICES

THIS DRAWING IS THE PROPERTY OF ANALOG DEVICES INC. IT IS NOT TO BE REPRODUCED OR COPIED, IN WHOLE OR IN PART, OR USED IN ANY MANNER FOR THE PROMOTION OF ANY OTHER PRODUCT OR SERVICE, WITHOUT THE WRITTEN PERMISSION OF ANALOG DEVICES. THE EQUIPMENT SHOWN HEREIN MAY BE PROTECTED BY PATENTS OWNED OR CONTROLLED BY ANALOG DEVICES.

JTAG, PUSHBUTTONS, SLIDE SWITCHES, LEDS

| REVISIONS | | | |
|-----------|-------------|------|----------|
| REV | DESCRIPTION | DATE | APPROVED |
| | | | |

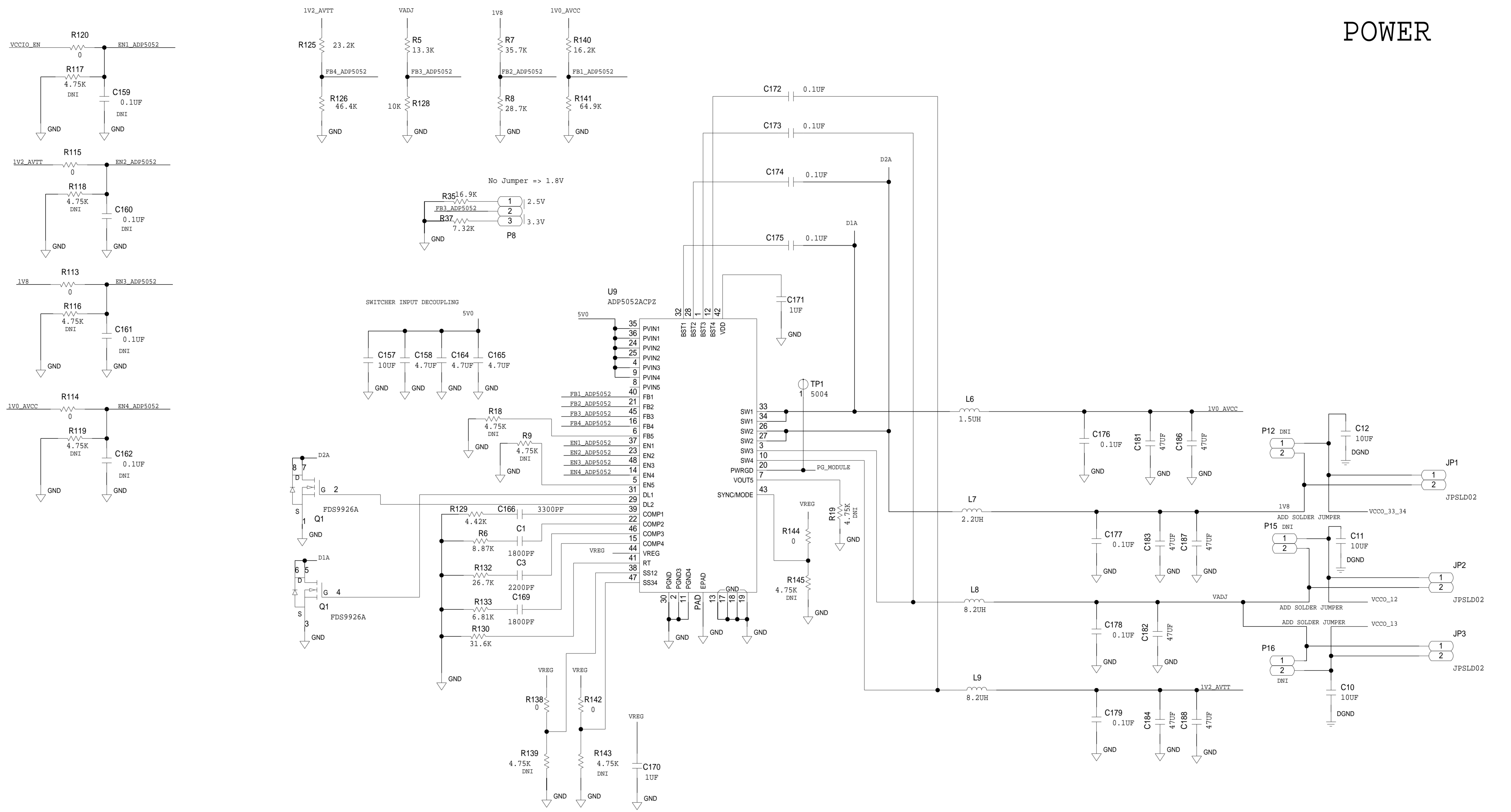


| | | | |
|--|---|--------------------------|--------------|
| | SCHEMATIC | | |
| | HW TYPE : Customer Evaluation Product(s) : ADP50 : ADP5052 | | |
| | DESIGN VIEW <DESIGN_VIEW> | DRAWING NO. 02_039931 | REV C |
| | PTD ENGINEER C. ELKHOURY | SIZE D | SCALE 1:1 |

THIS DRAWING IS THE PROPERTY OF ANALOG DEVICES INC. IT IS NOT TO BE REPRODUCED OR COPIED IN WHOLE OR IN PART, OR USED IN ANY MANNER THAT IS DETRIMENTAL TO THE INTERESTS OF ANALOG DEVICES. THE EQUIPMENT SHOWN HEREIN MAY BE PROTECTED BY PATENTS OWNED OR CONTROLLED BY ANALOG DEVICES.

| REVISIONS | | | |
|-----------|-------------|------|----------|
| REV | DESCRIPTION | DATE | APPROVED |
| | | | |

POWER

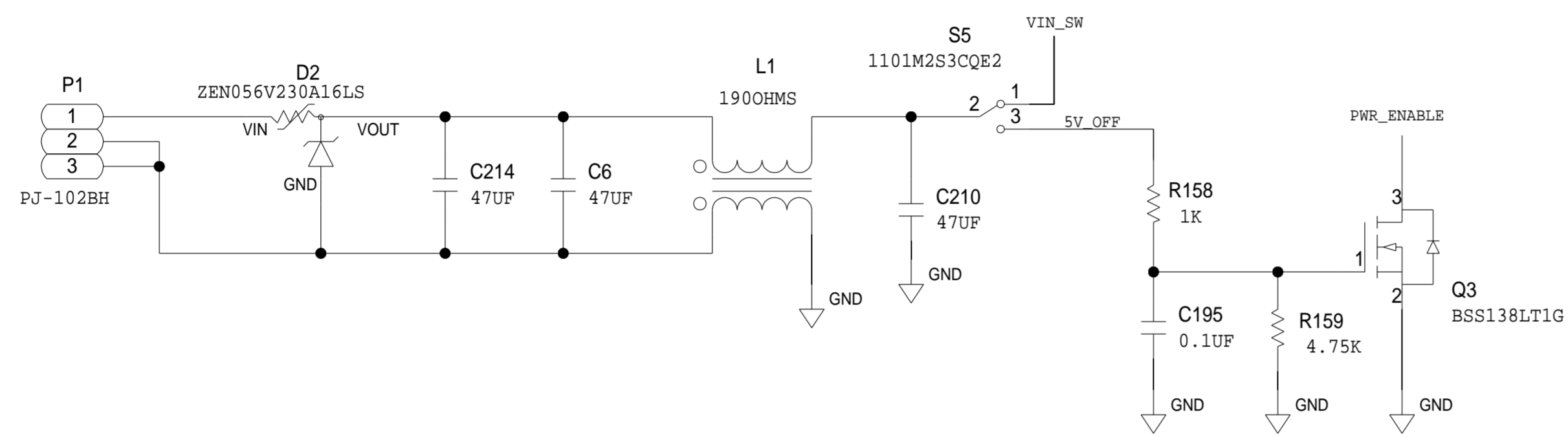


| ANALOG DEVICES | | | |
|---|--------------------------|-----------------|--------------|
| HW TYPE : Customer Evaluation Product(s) : ADP5052 | | SCHMATIC | |
| DESIGN VIEW <DESIGN_VIEW> | DRAWING NO. 02_039931 | REV C | |
| PTD ENGINEER C. ELKHOURY | SIZE D | SCALE 1:1 | SHEET 6 OF 7 |

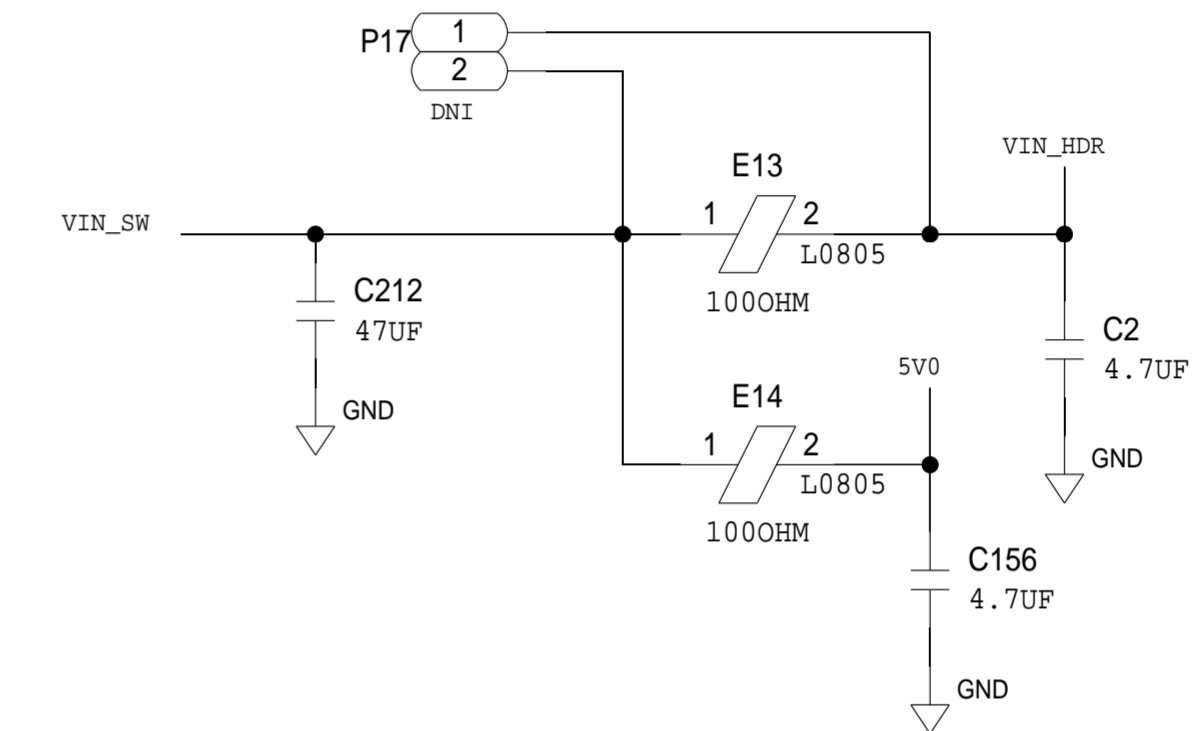
THIS DRAWING IS THE PROPERTY OF ANALOG DEVICES INC. IT IS NOT TO BE REPRODUCED OR COPIED, IN WHOLE OR IN PART, OR USED IN FURNISHING INFORMATION TO OTHERS, OR FOR ANY OTHER PURPOSE DETRIMENTAL TO THE INTERESTS OF ANALOG DEVICES. THE EQUIPMENT SHOWN HEREIN MAY BE PROTECTED BY PATENTS OWNED OR CONTROLLED BY ANALOG DEVICES.

POWER

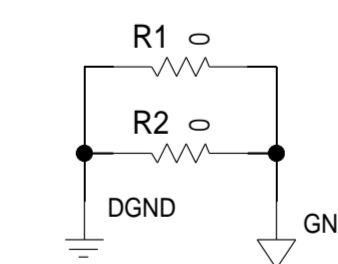
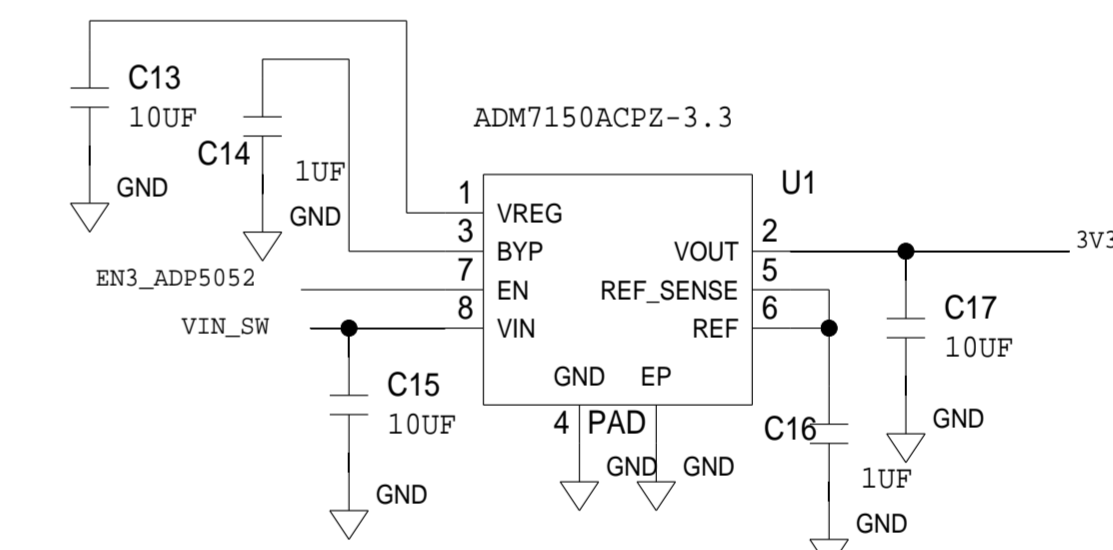
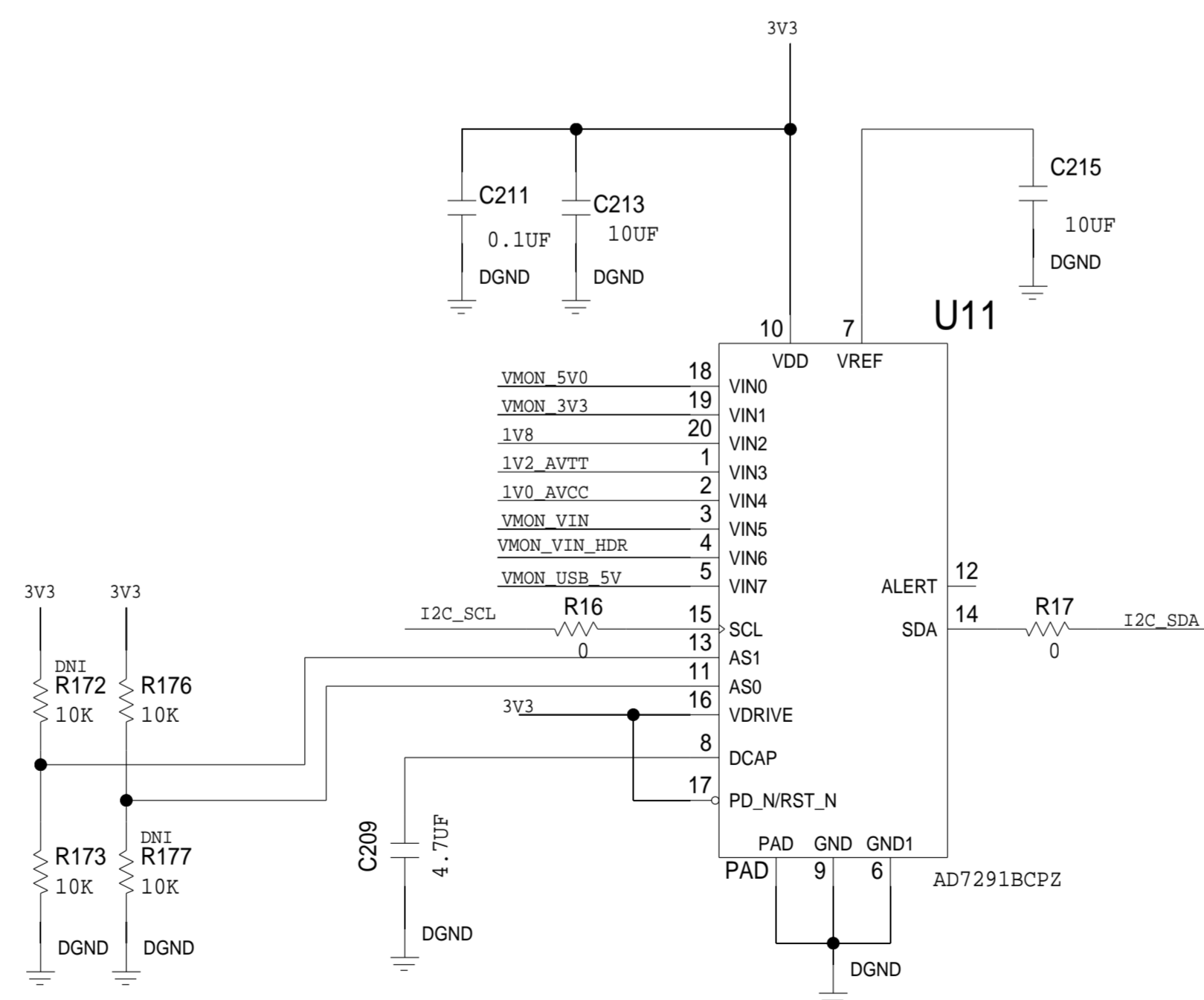
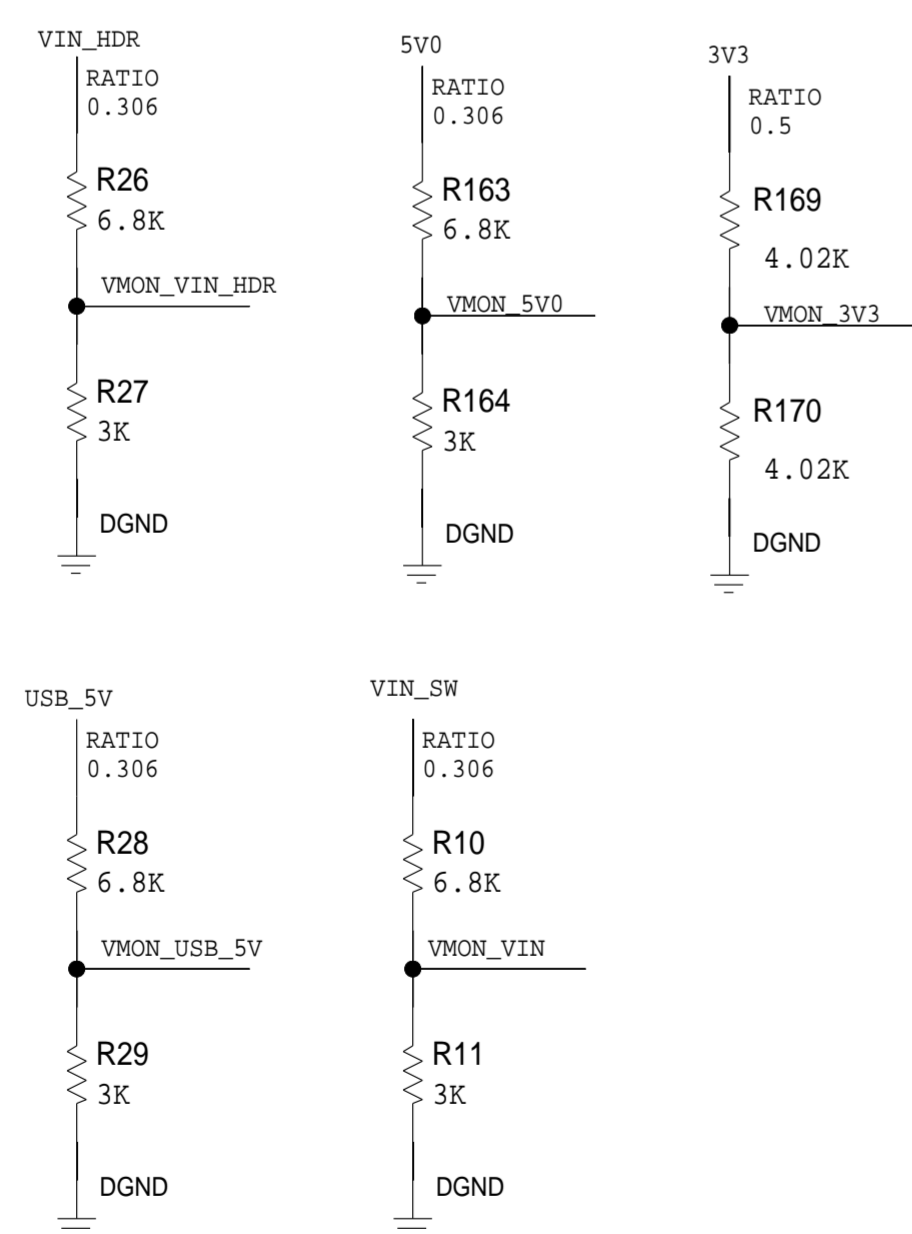
| REVISIONS | | | |
|-----------|-------------|------|----------|
| REV | DESCRIPTION | DATE | APPROVED |
| | | | |



5V0 POWER SUPPLY



VOLTAGE MONITORING



| | | | |
|-----------------------------|-------------------------------|--------------------------|--------------|
| | SCHEMATIC | | |
| | HW TYPE : Customer Evaluation | | |
| | Product(s) : ADP50 : ADP5052 | | |
| | DESIGN VIEW <DESIGN_VIEW> | DRAWING NO. 02_039931 | REV C |
| PTD ENGINEER C. ELKHOURY | SIZE D | SCALE 1:1 | SHEET 7 OF 7 |