

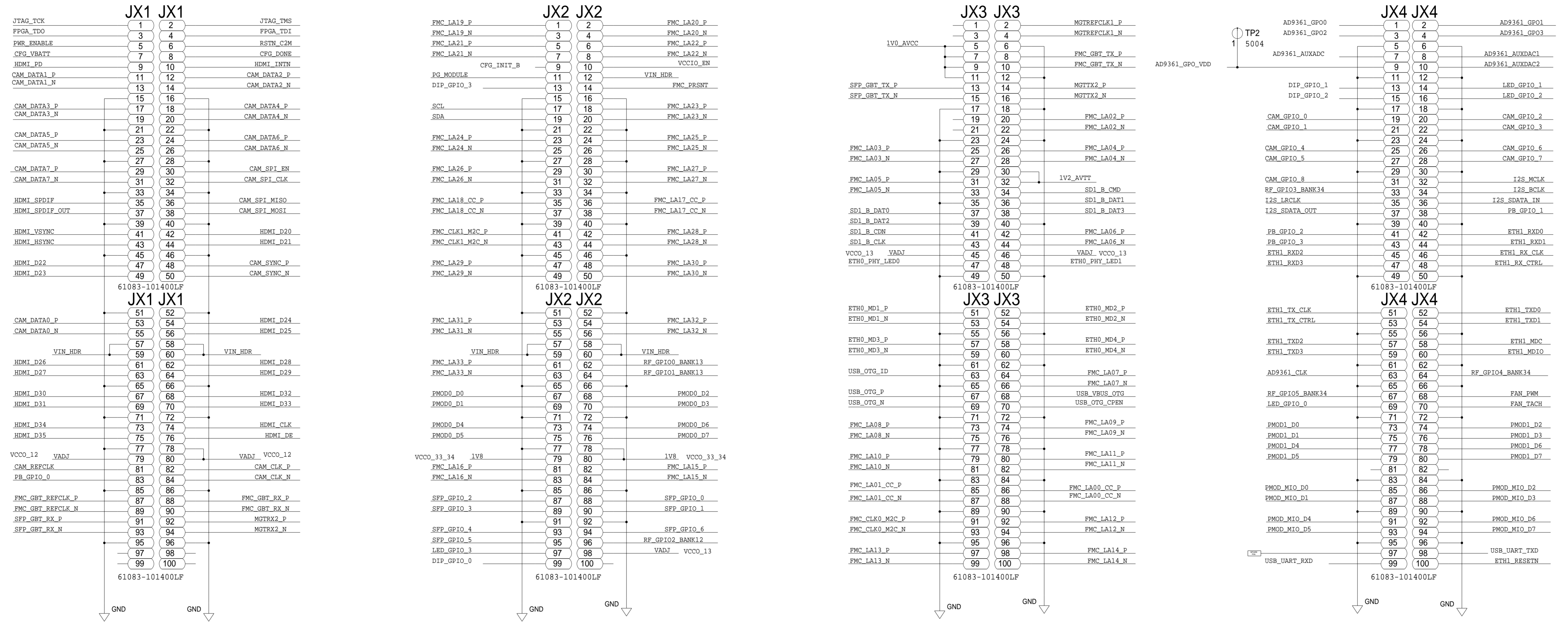
78-1 - (R) 03/13/2014 (REV. 1.0) 11/11/2014 (REV. 1.1) (PAGE)

| 8 | 7 | 6 | 5 | 4 | 3 | 2 | 1 | | | | | | | | | | | | | | | | | | | | | | | | | | | | | | | | | | | | | | | | | | | | | | | | | | | | | | | | | | | | | | | | | | | | | | | | | | | | | | | | | | | | | |
|--|-------------|--|--------------------------------|---|------------------|--------|----------|-------------------|------|------------------|--|--|---|-------------------|--|--|--|--|---|------------------|--|---|--|--|--|---------------|-----|---------------|------|----------|---|--------------------|----------|---------------|--|--|--|--------------|--|---------------|--|--|--|------------------|--|---------------|--|--|--|----------|--|--------------------------------|--------------------------------|-------------|------|--------------------------------|--|--|--|-----------|---|---------|--|--|--|------------------|--------------|--|--|--|--|-----------------------|------------------|-----------|-------------|------------|-----------|---------|--|--|--|--|--|--|--|--|--|--|-----------------------------|--|--|--|
| THIS DRAWING IS THE PROPERTY OF ANALOG DEVICES INC. IT IS NOT TO BE REPRODUCED OR COPIED, IN WHOLE OR IN PART, OR USED IN FURNISHING INFORMATION TO OTHERS, OR FOR ANY OTHER PURPOSE DETRIMENTAL TO THE INTERESTS OF ANALOG DEVICES. THE EQUIPMENT SHOWN HEREON MAY BE PROTECTED BY PATENTS OWNED OR CONTROLLED BY ANALOG DEVICES. | | | | JUMPER TABLE <table border="1" style="margin: auto; border-collapse: collapse;"> <thead> <tr> <th>JP#</th> <th>ON</th> <th>OFF</th> </tr> </thead> <tbody> <tr><td>1</td><td></td><td></td></tr> <tr><td>2</td><td></td><td></td></tr> <tr><td>3</td><td></td><td></td></tr> <tr><td>4</td><td></td><td></td></tr> <tr><td>5</td><td></td><td></td></tr> </tbody> </table> | | | JP# | ON | OFF | 1 | | | 2 | | | 3 | | | 4 | | | 5 | | | REVISIONS <table border="1" style="margin: auto; border-collapse: collapse;"> <thead> <tr> <th>REV</th> <th>DESCRIPTION</th> <th>DATE</th> <th>APPROVED</th> </tr> </thead> <tbody> <tr> <td>A</td> <td>ORIGINATION</td> <td>NOV-2014</td> <td>C. E.</td> </tr> </tbody> </table> | | REV | DESCRIPTION | DATE | APPROVED | A | ORIGINATION | NOV-2014 | C. E. | | | | | | | | | | | | | | | | | | | | | | | | | | | | | | | | | | | | | | | | | | | | | | | | | | | | | | | | | | |
| JP# | ON | OFF | | | | | | | | | | | | | | | | | | | | | | | | | | | | | | | | | | | | | | | | | | | | | | | | | | | | | | | | | | | | | | | | | | | | | | | | | | | | | | | | | | | | | | | | | | |
| 1 | | | | | | | | | | | | | | | | | | | | | | | | | | | | | | | | | | | | | | | | | | | | | | | | | | | | | | | | | | | | | | | | | | | | | | | | | | | | | | | | | | | | | | | | | | | | |
| 2 | | | | | | | | | | | | | | | | | | | | | | | | | | | | | | | | | | | | | | | | | | | | | | | | | | | | | | | | | | | | | | | | | | | | | | | | | | | | | | | | | | | | | | | | | | | | |
| 3 | | | | | | | | | | | | | | | | | | | | | | | | | | | | | | | | | | | | | | | | | | | | | | | | | | | | | | | | | | | | | | | | | | | | | | | | | | | | | | | | | | | | | | | | | | | | |
| 4 | | | | | | | | | | | | | | | | | | | | | | | | | | | | | | | | | | | | | | | | | | | | | | | | | | | | | | | | | | | | | | | | | | | | | | | | | | | | | | | | | | | | | | | | | | | | |
| 5 | | | | | | | | | | | | | | | | | | | | | | | | | | | | | | | | | | | | | | | | | | | | | | | | | | | | | | | | | | | | | | | | | | | | | | | | | | | | | | | | | | | | | | | | | | | | |
| REV | DESCRIPTION | DATE | APPROVED | | | | | | | | | | | | | | | | | | | | | | | | | | | | | | | | | | | | | | | | | | | | | | | | | | | | | | | | | | | | | | | | | | | | | | | | | | | | | | | | | | | | | | | | | |
| A | ORIGINATION | NOV-2014 | C. E. | | | | | | | | | | | | | | | | | | | | | | | | | | | | | | | | | | | | | | | | | | | | | | | | | | | | | | | | | | | | | | | | | | | | | | | | | | | | | | | | | | | | | | | | | |
| RELAY CONTROL CHART <table border="1" style="width:100%; border-collapse: collapse;"> <thead> <tr> <th>CONTROL</th> <th>CODE</th> <th>DEVICE</th> <th>FUNCTION</th> <th>CONNECTOR</th> </tr> </thead> <tbody> <tr><td> </td><td> </td><td> </td><td> </td><td> </td></tr> <tr><td> </td><td> </td><td> </td><td> </td><td> </td></tr> <tr><td> </td><td> </td><td> </td><td> </td><td> </td></tr> <tr><td> </td><td> </td><td> </td><td> </td><td> </td></tr> <tr><td> </td><td> </td><td> </td><td> </td><td> </td></tr> <tr><td> </td><td> </td><td> </td><td> </td><td> </td></tr> <tr><td> </td><td> </td><td> </td><td> </td><td> </td></tr> <tr><td> </td><td> </td><td> </td><td> </td><td> </td></tr> <tr><td> </td><td> </td><td> </td><td> </td><td> </td></tr> <tr><td> </td><td> </td><td> </td><td> </td><td> </td></tr> <tr><td> </td><td> </td><td> </td><td> </td><td> </td></tr> <tr><td> </td><td> </td><td> </td><td> </td><td> </td></tr> <tr><td> </td><td> </td><td> </td><td> </td><td> </td></tr> <tr><td> </td><td> </td><td> </td><td> </td><td> </td></tr> <tr><td> </td><td> </td><td> </td><td> </td><td> </td></tr> <tr><td> </td><td> </td><td> </td><td> </td><td> </td></tr> </tbody> </table> | | | | CONTROL | CODE | DEVICE | FUNCTION | CONNECTOR | | | | | | | | | | | | | | | | | | | | | | | | | | | | | | | | | | | | | | | | | | | | | | | | | | | | | | | | | | | | | | | | | | | | | | | | | | | | | | | | | * SEE ASSEMBLY INSTRUCTIONS | | | |
| CONTROL | CODE | DEVICE | FUNCTION | CONNECTOR | | | | | | | | | | | | | | | | | | | | | | | | | | | | | | | | | | | | | | | | | | | | | | | | | | | | | | | | | | | | | | | | | | | | | | | | | | | | | | | | | | | | | | | | |
| | | | | | | | | | | | | | | | | | | | | | | | | | | | | | | | | | | | | | | | | | | | | | | | | | | | | | | | | | | | | | | | | | | | | | | | | | | | | | | | | | | | | | | | | | | | | |
| | | | | | | | | | | | | | | | | | | | | | | | | | | | | | | | | | | | | | | | | | | | | | | | | | | | | | | | | | | | | | | | | | | | | | | | | | | | | | | | | | | | | | | | | | | | | |
| | | | | | | | | | | | | | | | | | | | | | | | | | | | | | | | | | | | | | | | | | | | | | | | | | | | | | | | | | | | | | | | | | | | | | | | | | | | | | | | | | | | | | | | | | | | | |
| | | | | | | | | | | | | | | | | | | | | | | | | | | | | | | | | | | | | | | | | | | | | | | | | | | | | | | | | | | | | | | | | | | | | | | | | | | | | | | | | | | | | | | | | | | | | |
| | | | | | | | | | | | | | | | | | | | | | | | | | | | | | | | | | | | | | | | | | | | | | | | | | | | | | | | | | | | | | | | | | | | | | | | | | | | | | | | | | | | | | | | | | | | | |
| | | | | | | | | | | | | | | | | | | | | | | | | | | | | | | | | | | | | | | | | | | | | | | | | | | | | | | | | | | | | | | | | | | | | | | | | | | | | | | | | | | | | | | | | | | | | |
| | | | | | | | | | | | | | | | | | | | | | | | | | | | | | | | | | | | | | | | | | | | | | | | | | | | | | | | | | | | | | | | | | | | | | | | | | | | | | | | | | | | | | | | | | | | | |
| | | | | | | | | | | | | | | | | | | | | | | | | | | | | | | | | | | | | | | | | | | | | | | | | | | | | | | | | | | | | | | | | | | | | | | | | | | | | | | | | | | | | | | | | | | | | |
| | | | | | | | | | | | | | | | | | | | | | | | | | | | | | | | | | | | | | | | | | | | | | | | | | | | | | | | | | | | | | | | | | | | | | | | | | | | | | | | | | | | | | | | | | | | | |
| | | | | | | | | | | | | | | | | | | | | | | | | | | | | | | | | | | | | | | | | | | | | | | | | | | | | | | | | | | | | | | | | | | | | | | | | | | | | | | | | | | | | | | | | | | | | |
| | | | | | | | | | | | | | | | | | | | | | | | | | | | | | | | | | | | | | | | | | | | | | | | | | | | | | | | | | | | | | | | | | | | | | | | | | | | | | | | | | | | | | | | | | | | | |
| | | | | | | | | | | | | | | | | | | | | | | | | | | | | | | | | | | | | | | | | | | | | | | | | | | | | | | | | | | | | | | | | | | | | | | | | | | | | | | | | | | | | | | | | | | | | |
| | | | | | | | | | | | | | | | | | | | | | | | | | | | | | | | | | | | | | | | | | | | | | | | | | | | | | | | | | | | | | | | | | | | | | | | | | | | | | | | | | | | | | | | | | | | | |
| | | | | | | | | | | | | | | | | | | | | | | | | | | | | | | | | | | | | | | | | | | | | | | | | | | | | | | | | | | | | | | | | | | | | | | | | | | | | | | | | | | | | | | | | | | | | |
| | | | | | | | | | | | | | | | | | | | | | | | | | | | | | | | | | | | | | | | | | | | | | | | | | | | | | | | | | | | | | | | | | | | | | | | | | | | | | | | | | | | | | | | | | | | | |
| | | | | | | | | | | | | | | | | | | | | | | | | | | | | | | | | | | | | | | | | | | | | | | | | | | | | | | | | | | | | | | | | | | | | | | | | | | | | | | | | | | | | | | | | | | | | |
| | | PG2 AD9361+ZINQ MODULE CONNECTORS PG3 FMC + RF MODULE CONNECTORS PG4 HDMI OUT PG5 ETHERNET PG6 AUDIO CODEC PG7 USB -> SERIAL, SD CARD, SPF+, CAMERA, PMOD PG8 JTAG,PUSHBUTTONS, SLIDE SWITCHES, LEDS PG9 REF CLOCK PG10 POWER & MISCELLANEOUS PG11 POWER PG12 POWER | | | | | | | | | | | | | | | | | | | | | | | | | | | | | | | | | | | | | | | | | | | | | | | | | | | | | | | | | | | | | | | | | | | | | | | | | | | | | | | | | | | | | | | | | | |
| <h1 style="margin: 0;">AES-PZSDRCC-FMC-G</h1> <p style="margin: 0;">7-AUG-2015</p> | | | | | | | | | | | | | | | | | | | | | | | | | | | | | | | | | | | | | | | | | | | | | | | | | | | | | | | | | | | | | | | | | | | | | | | | | | | | | | | | | | | | | | | | | | | | |
| | | <table border="1" style="width:100%; border-collapse: collapse;"> <tr> <td style="width: 20%;">TEMPLATE ENGINEER</td> <td style="width: 10%;">DATE</td> <td colspan="3" style="text-align: center; vertical-align: middle;">SCHEMATIC</td> <td style="width: 15%; text-align: center; vertical-align: middle;"></td> </tr> <tr> <td>HARDWARE SERVICES</td> <td></td> <td colspan="4"> HW TYPE : Customer Evaluation Product(s): AD9361 : N/A </td> </tr> <tr> <td>HARDWARE SYSTEMS</td> <td></td> <td colspan="4"> PACKAGE : PinCount-lead N/A Package-family : Pitch-pitch StyleVendor Style </td> </tr> <tr> <td>TEST ENGINEER</td> <td></td> <td colspan="4"><User Define></td> </tr> <tr> <td>COMPONENT ENGINEER</td> <td></td> <td colspan="4"><User Define></td> </tr> <tr> <td>TEST PROCESS</td> <td></td> <td colspan="4"><User Define></td> </tr> <tr> <td>HARDWARE RELEASE</td> <td></td> <td colspan="4"><User Define></td> </tr> <tr> <td>DESIGNER</td> <td></td> <td style="width: 25%;">MASTER PROJECT TEMPLATE TBD</td> <td style="width: 25%;">TESTER TEMPLATE no_template</td> <td style="width: 25%;">DRAWING NO.</td> <td style="width: 10%;">REV.</td> </tr> <tr> <td>PTD ENGINEER <PTD_ENGINEER></td> <td></td> <td colspan="2" style="text-align: center;"> TOLERANCES UNLESS OTHERWISE SPECIFIED DIMENSIONS ARE IN INCHES DECIMALS FRACTIONS ANGLES X.XX +0.010 +1/32 +2 X.XXX +0.005 </td> <td style="text-align: center; vertical-align: middle;">02_039799</td> <td style="text-align: center; vertical-align: middle;">B</td> </tr> <tr> <td>CHECKER</td> <td></td> <td colspan="2"></td> <td style="text-align: center; vertical-align: middle;">SIZE D</td> <td style="text-align: center; vertical-align: middle;">SCALE 1:1</td> </tr> <tr> <td></td> <td></td> <td colspan="2"></td> <td style="text-align: center; vertical-align: middle;">CODE ID NO. CodeID</td> <td style="text-align: center; vertical-align: middle;">SHEET 1 OF 12</td> </tr> <tr> <td>P.O SPEC.</td> <td>BK/BD SPEC.</td> <td>SOCKET OEM</td> <td>OEM PART#</td> <td>HANDLER</td> <td></td> <td></td> <td></td> </tr> </table> | | | | | | TEMPLATE ENGINEER | DATE | SCHEMATIC | | | | HARDWARE SERVICES | | HW TYPE : Customer Evaluation Product(s): AD9361 : N/A | | | | HARDWARE SYSTEMS | | PACKAGE : PinCount-lead N/A Package-family : Pitch-pitch StyleVendor Style | | | | TEST ENGINEER | | <User Define> | | | | COMPONENT ENGINEER | | <User Define> | | | | TEST PROCESS | | <User Define> | | | | HARDWARE RELEASE | | <User Define> | | | | DESIGNER | | MASTER PROJECT TEMPLATE TBD | TESTER TEMPLATE no_template | DRAWING NO. | REV. | PTD ENGINEER <PTD_ENGINEER> | | TOLERANCES UNLESS OTHERWISE SPECIFIED DIMENSIONS ARE IN INCHES DECIMALS FRACTIONS ANGLES X.XX +0.010 +1/32 +2 X.XXX +0.005 | | 02_039799 | B | CHECKER | | | | SIZE D | SCALE 1:1 | | | | | CODE ID NO. CodeID | SHEET 1 OF 12 | P.O SPEC. | BK/BD SPEC. | SOCKET OEM | OEM PART# | HANDLER | | | | | | | | | | | | | | |
| TEMPLATE ENGINEER | DATE | SCHEMATIC | | | | | | | | | | | | | | | | | | | | | | | | | | | | | | | | | | | | | | | | | | | | | | | | | | | | | | | | | | | | | | | | | | | | | | | | | | | | | | | | | | | | | | | | | | |
| HARDWARE SERVICES | | HW TYPE : Customer Evaluation Product(s): AD9361 : N/A | | | | | | | | | | | | | | | | | | | | | | | | | | | | | | | | | | | | | | | | | | | | | | | | | | | | | | | | | | | | | | | | | | | | | | | | | | | | | | | | | | | | | | | | | | |
| HARDWARE SYSTEMS | | PACKAGE : PinCount-lead N/A Package-family : Pitch-pitch StyleVendor Style | | | | | | | | | | | | | | | | | | | | | | | | | | | | | | | | | | | | | | | | | | | | | | | | | | | | | | | | | | | | | | | | | | | | | | | | | | | | | | | | | | | | | | | | | | |
| TEST ENGINEER | | <User Define> | | | | | | | | | | | | | | | | | | | | | | | | | | | | | | | | | | | | | | | | | | | | | | | | | | | | | | | | | | | | | | | | | | | | | | | | | | | | | | | | | | | | | | | | | | |
| COMPONENT ENGINEER | | <User Define> | | | | | | | | | | | | | | | | | | | | | | | | | | | | | | | | | | | | | | | | | | | | | | | | | | | | | | | | | | | | | | | | | | | | | | | | | | | | | | | | | | | | | | | | | | |
| TEST PROCESS | | <User Define> | | | | | | | | | | | | | | | | | | | | | | | | | | | | | | | | | | | | | | | | | | | | | | | | | | | | | | | | | | | | | | | | | | | | | | | | | | | | | | | | | | | | | | | | | | |
| HARDWARE RELEASE | | <User Define> | | | | | | | | | | | | | | | | | | | | | | | | | | | | | | | | | | | | | | | | | | | | | | | | | | | | | | | | | | | | | | | | | | | | | | | | | | | | | | | | | | | | | | | | | | |
| DESIGNER | | MASTER PROJECT TEMPLATE TBD | TESTER TEMPLATE no_template | DRAWING NO. | REV. | | | | | | | | | | | | | | | | | | | | | | | | | | | | | | | | | | | | | | | | | | | | | | | | | | | | | | | | | | | | | | | | | | | | | | | | | | | | | | | | | | | | | | | |
| PTD ENGINEER <PTD_ENGINEER> | | TOLERANCES UNLESS OTHERWISE SPECIFIED DIMENSIONS ARE IN INCHES DECIMALS FRACTIONS ANGLES X.XX +0.010 +1/32 +2 X.XXX +0.005 | | 02_039799 | B | | | | | | | | | | | | | | | | | | | | | | | | | | | | | | | | | | | | | | | | | | | | | | | | | | | | | | | | | | | | | | | | | | | | | | | | | | | | | | | | | | | | | | | |
| CHECKER | | | | SIZE D | SCALE 1:1 | | | | | | | | | | | | | | | | | | | | | | | | | | | | | | | | | | | | | | | | | | | | | | | | | | | | | | | | | | | | | | | | | | | | | | | | | | | | | | | | | | | | | | | |
| | | | | CODE ID NO. CodeID | SHEET 1 OF 12 | | | | | | | | | | | | | | | | | | | | | | | | | | | | | | | | | | | | | | | | | | | | | | | | | | | | | | | | | | | | | | | | | | | | | | | | | | | | | | | | | | | | | | | |
| P.O SPEC. | BK/BD SPEC. | SOCKET OEM | OEM PART# | HANDLER | | | | | | | | | | | | | | | | | | | | | | | | | | | | | | | | | | | | | | | | | | | | | | | | | | | | | | | | | | | | | | | | | | | | | | | | | | | | | | | | | | | | | | | | |

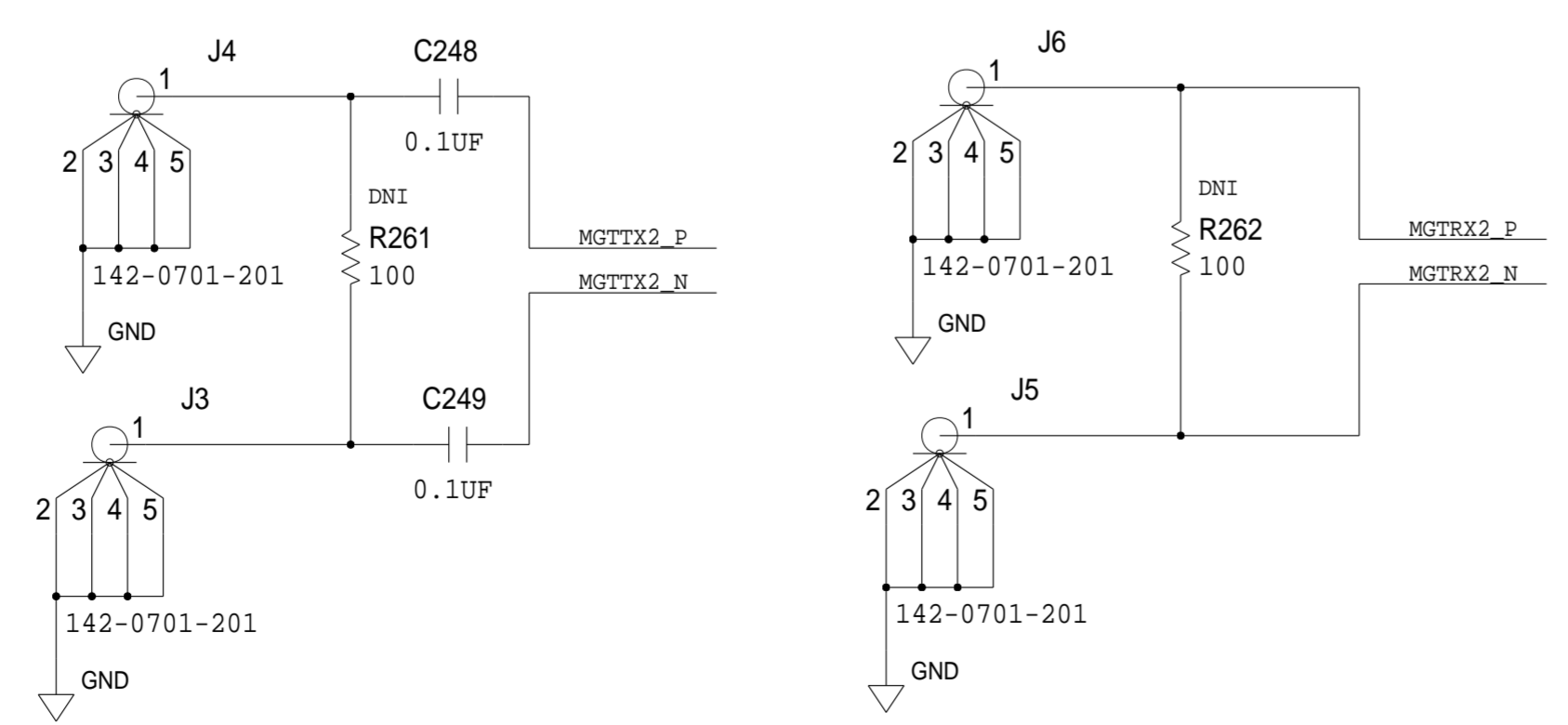
AD9361+ZYNQ MODULE CONNECTORS

| REVISIONS | | | |
|-----------|-------------|------|----------|
| REV | DESCRIPTION | DATE | APPROVED |
| | | | |

ADDITIONAL CONNECTOR



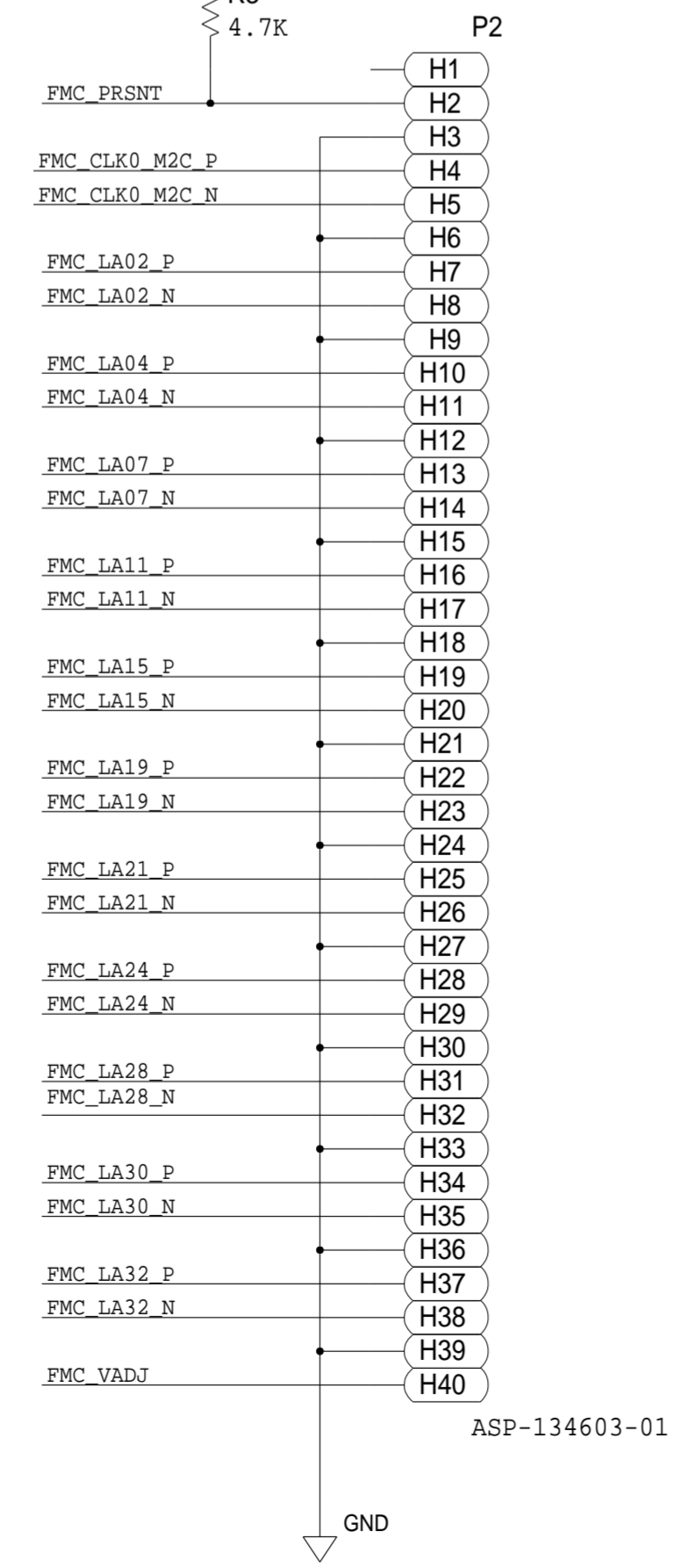
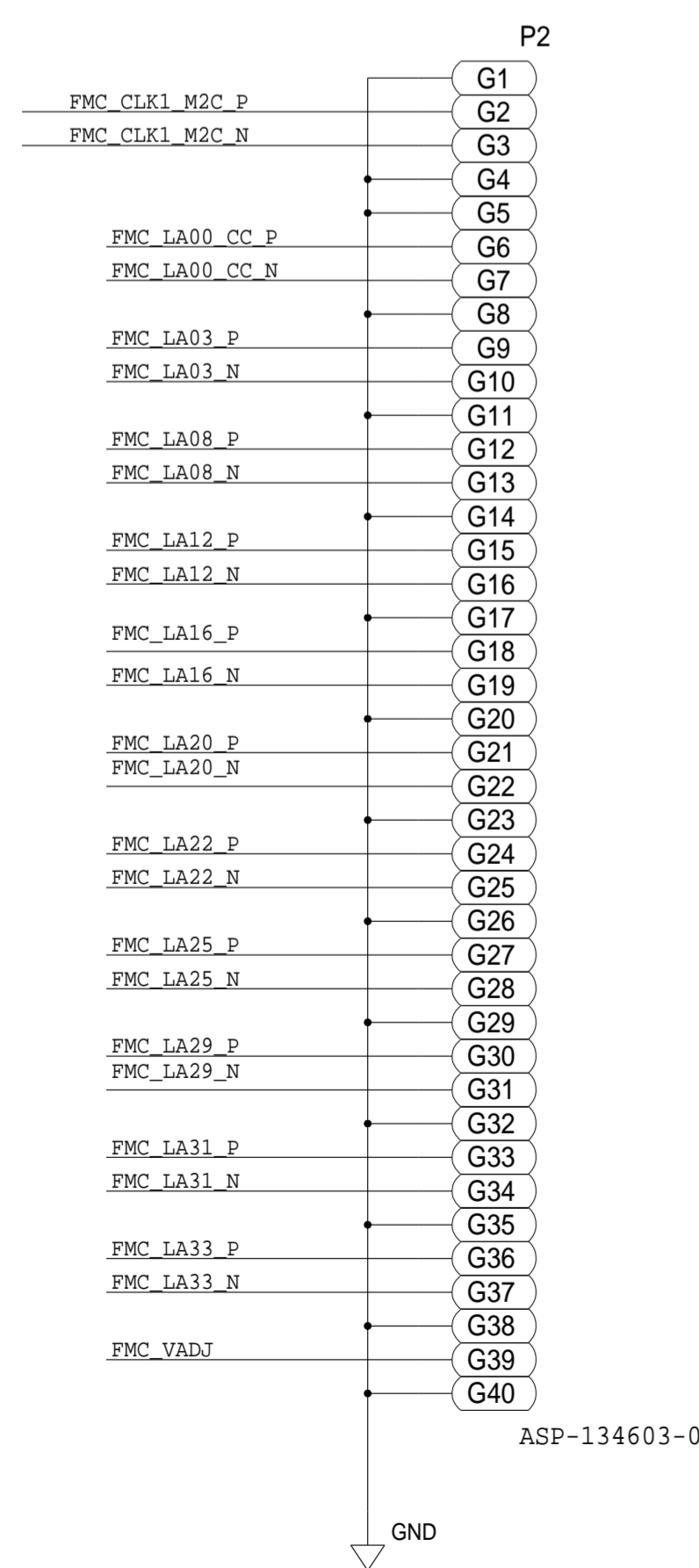
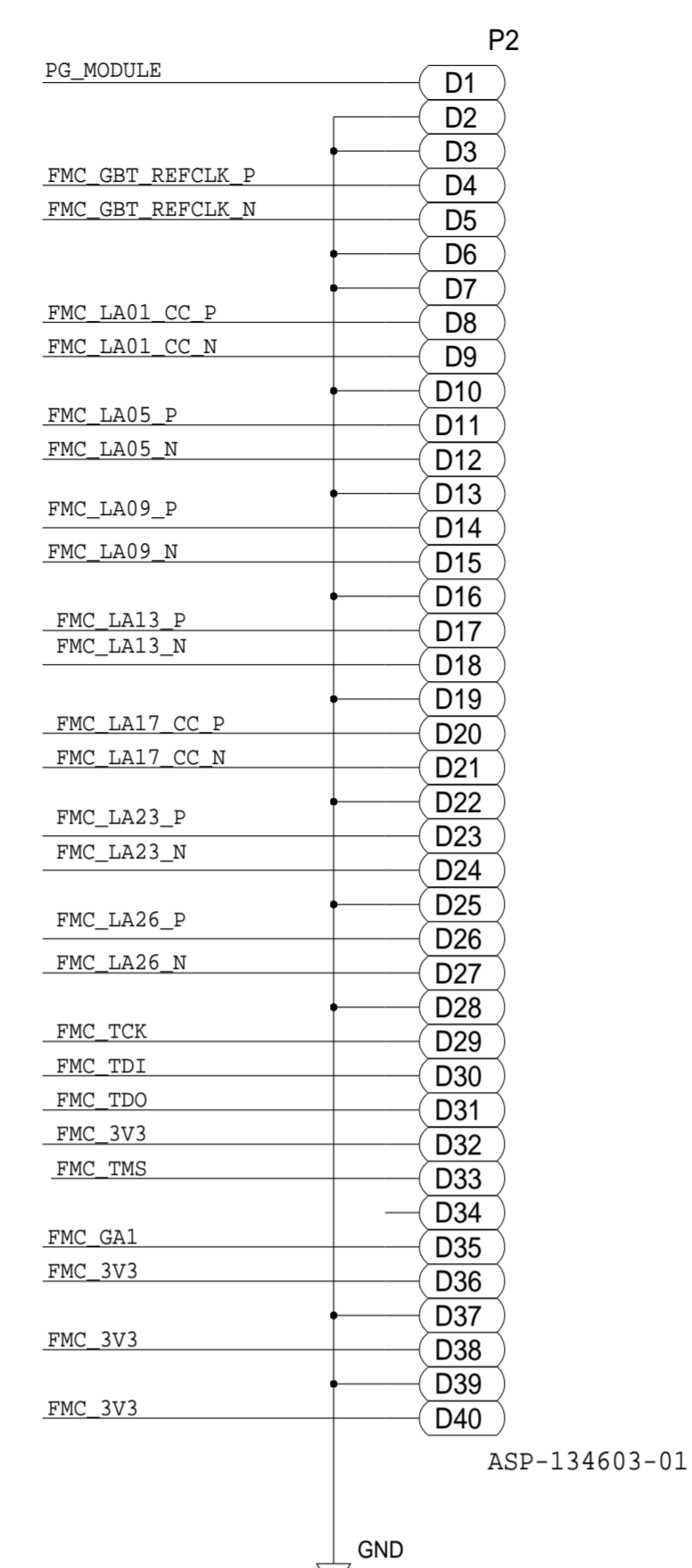
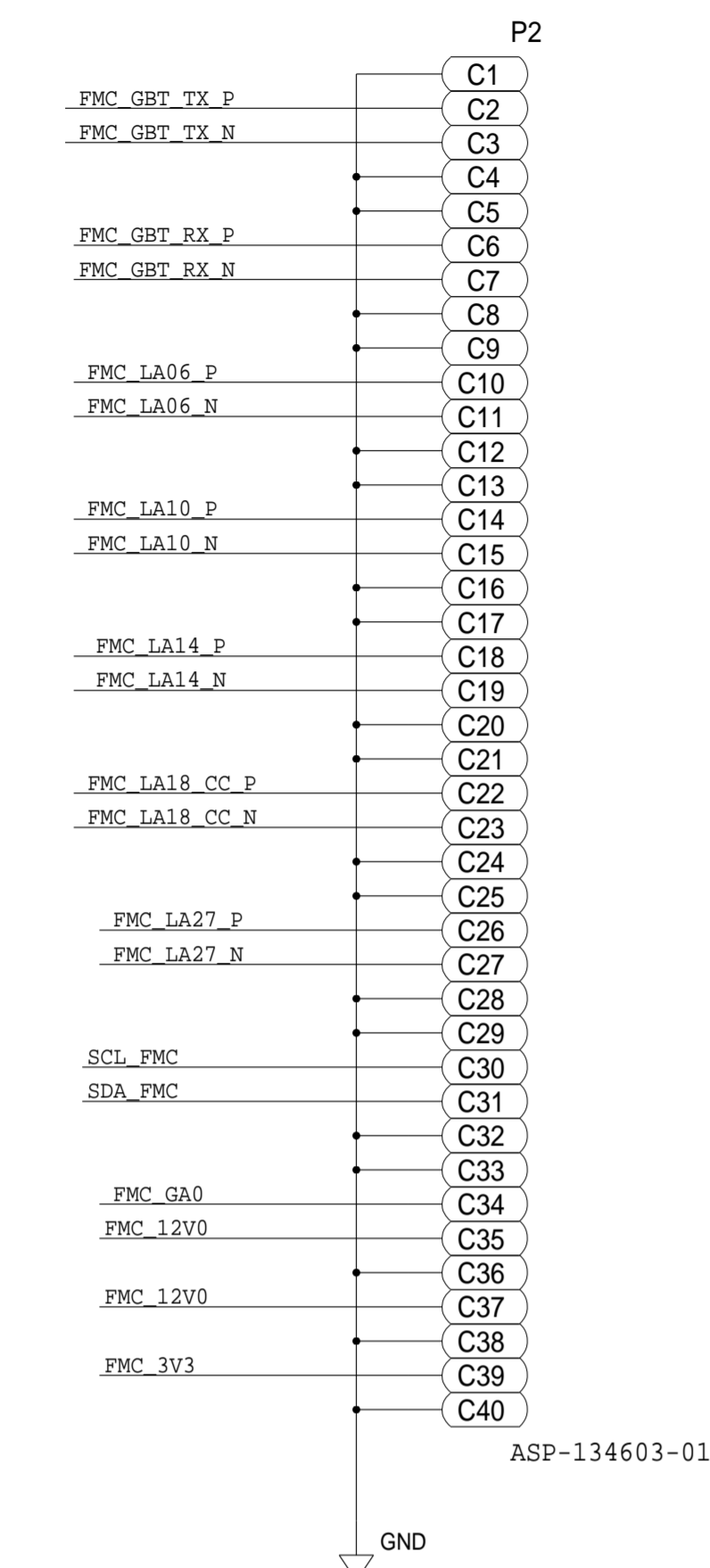
| DEVICE | I2C ADDRESS | PAGE |
|-----------------|-------------|------|
| FMC | ??? | 3 |
| RF BOARD | ??? | 3 |
| HDMI | 0X72 / 0X7A | 4 |
| AUDIO | 0X76 | 6 |
| CAMERA | 0XE0/0XE1 | 8 |
| ETH EEPROM | 0X50 | 9 |
| VOLTAGE MONITOR | 0X2F | 11 |



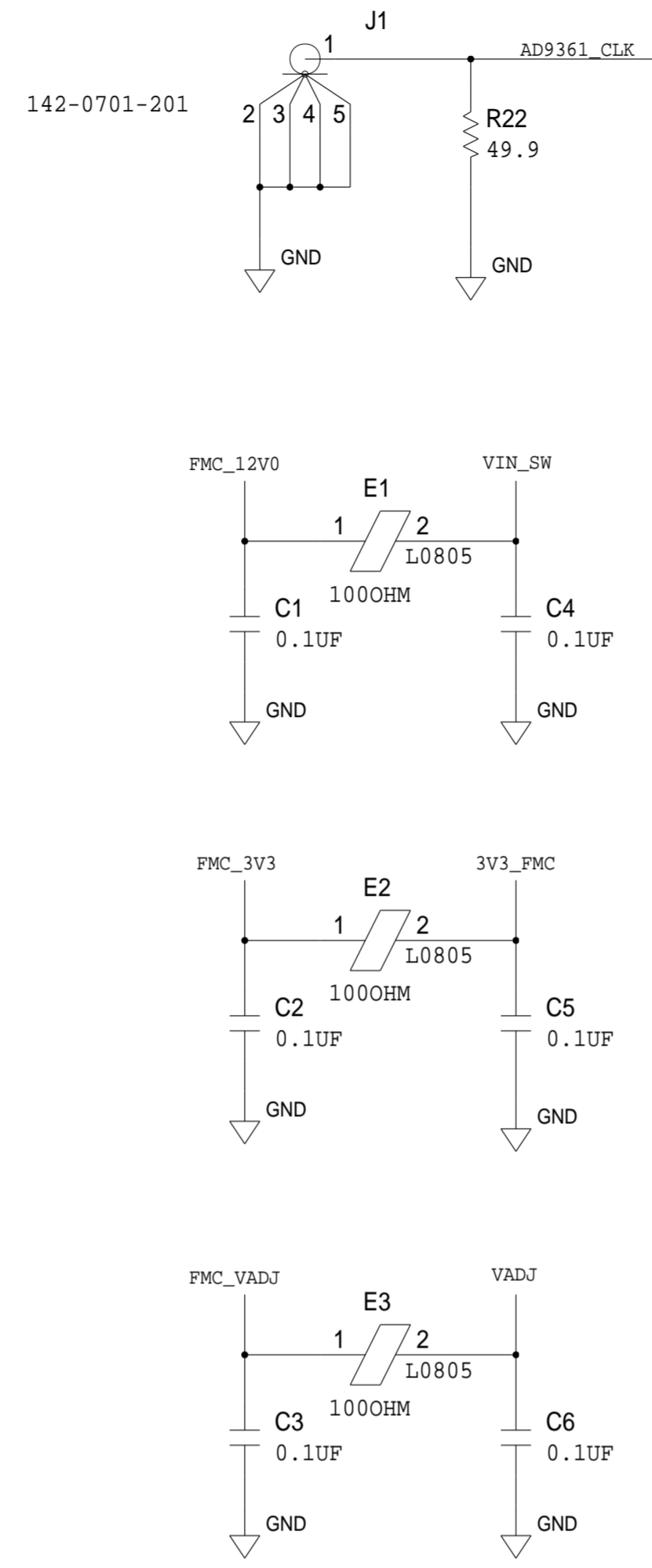
| | | | |
|--------------------------------|-------------------------------|--------------|---------------|
| | SCHEMATIC | | |
| | HW TYPE : Customer Evaluation | | |
| | Product(s) : AD9361 | | |
| | : N/A | | |
| DESIGN VIEW <DESIGN_VIEW> | DRAWING NO. 02_039799 | REV B | |
| PTD ENGINEER <PTD_ENGINEER> | SIZE D | SCALE 1:1 | SHEET 2 OF 12 |

| REVISIONS | | | |
|-----------|-------------|------|----------|
| REV | DESCRIPTION | DATE | APPROVED |
| | | | |

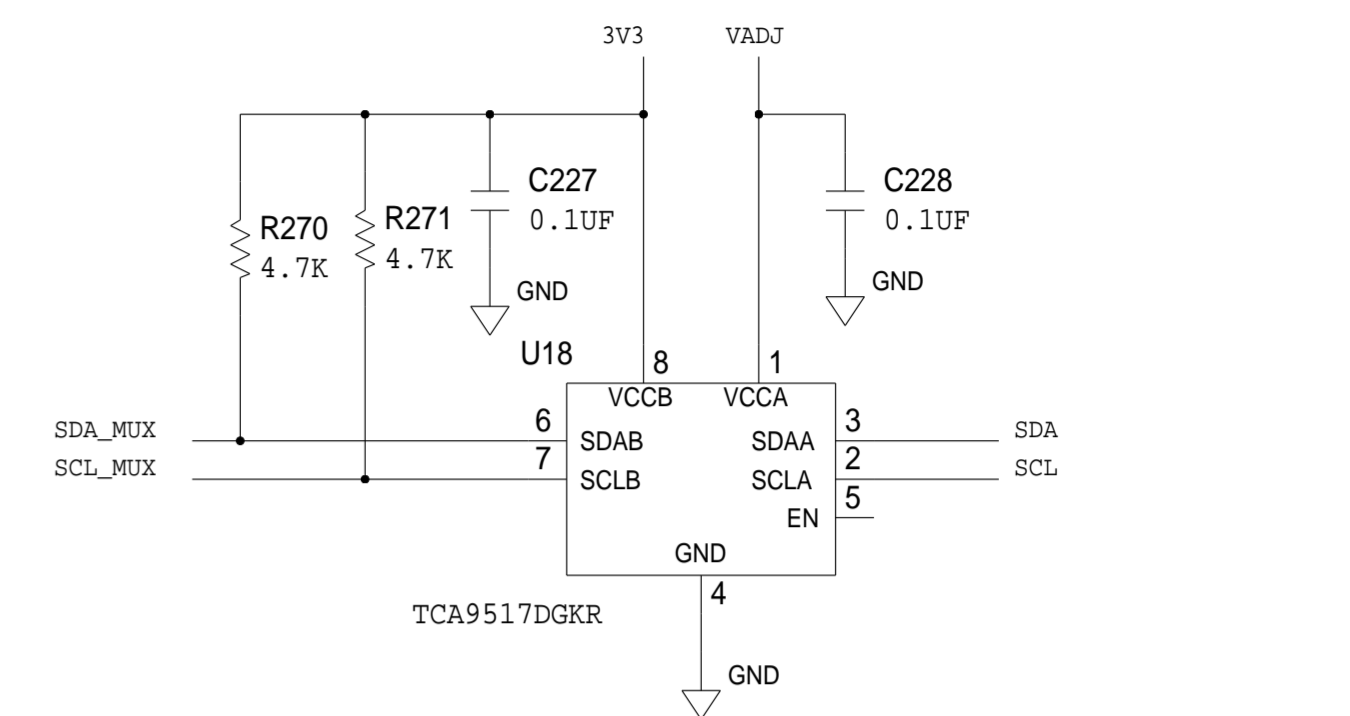
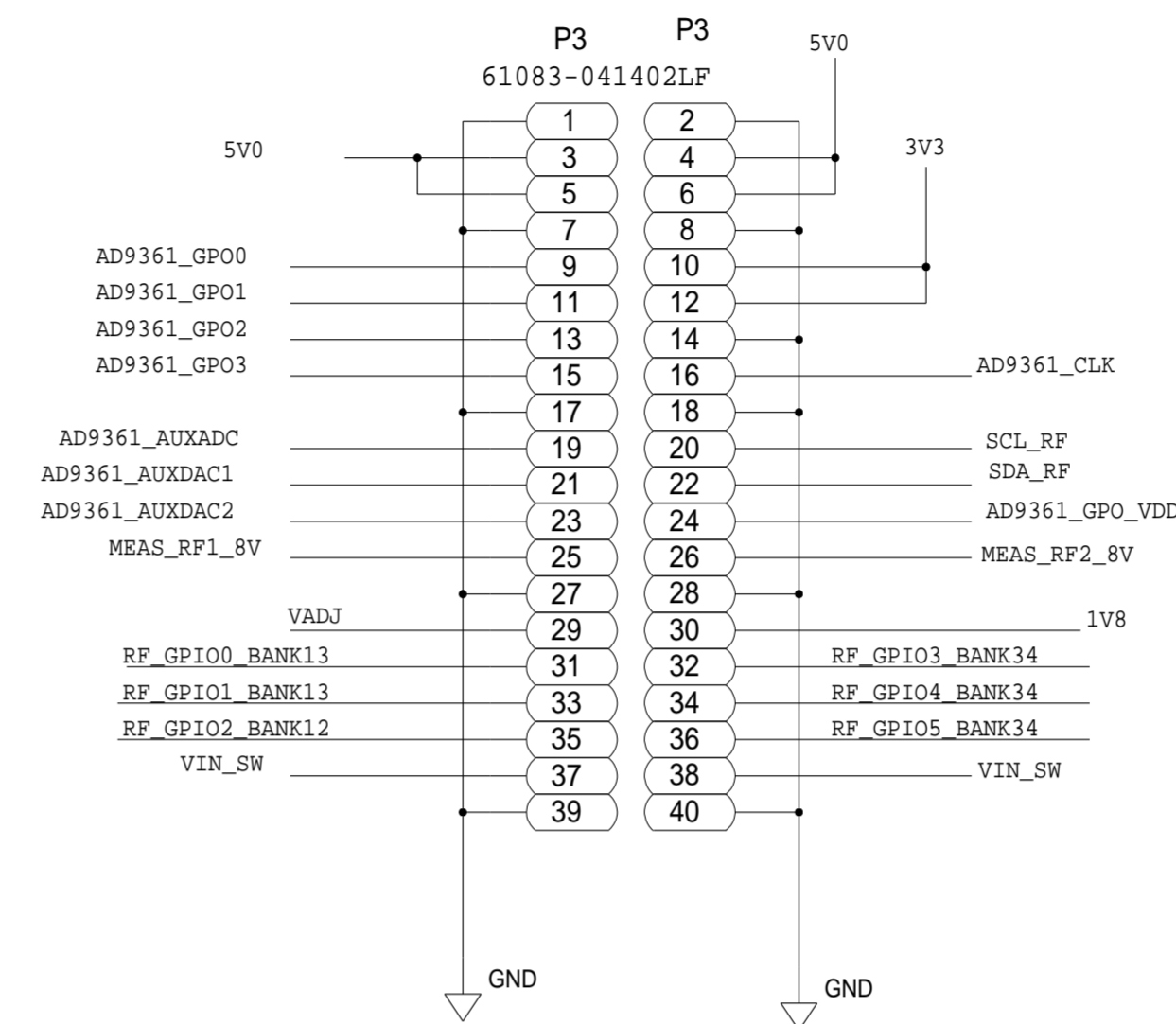
FMC CONNECTOR



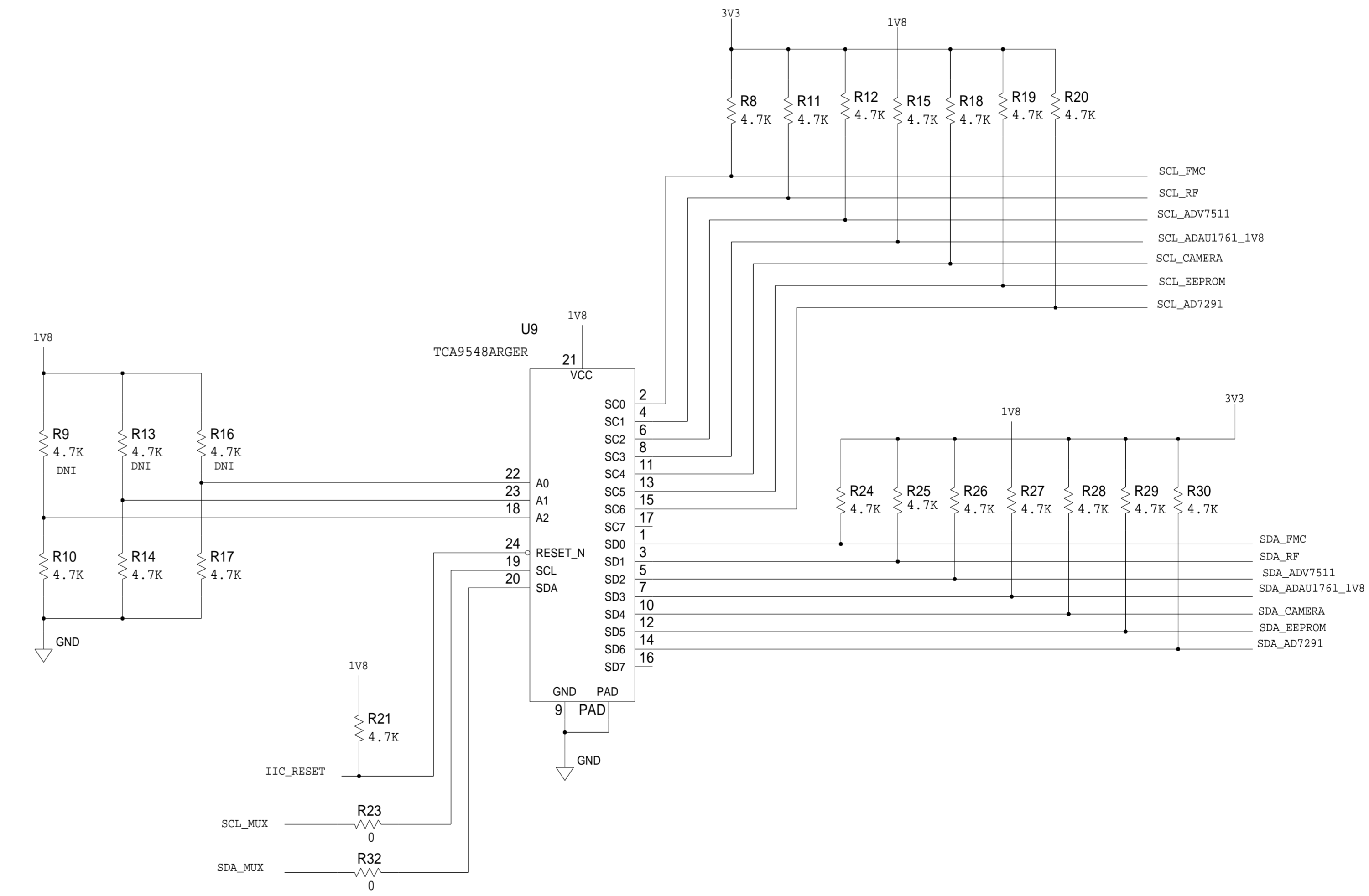
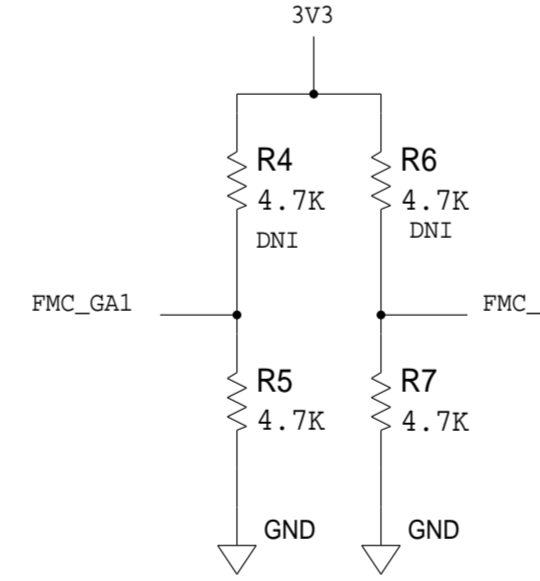
RF MODULE CONNECTORS



MATING CONNECTOR: 61082-041402LF



FMC GA[1:0] SELECT



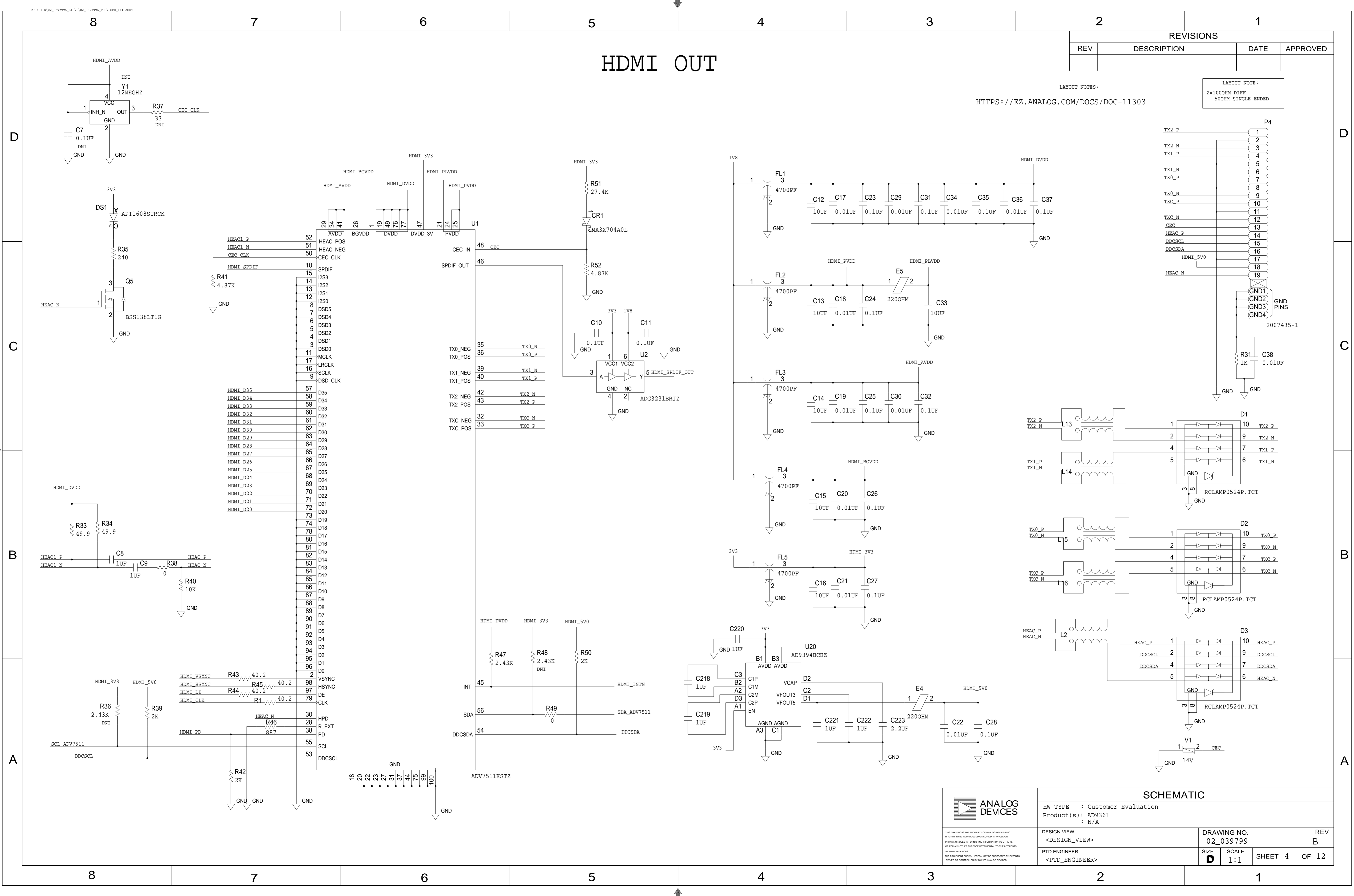
| | | | |
|--------------------------------|---|--------------|---------------|
| | SCHEMATIC | | |
| | HW TYPE : Customer Evaluation Product(s) : AD9361 : N/A | | |
| DESIGN VIEW <DESIGN_VIEW> | DRAWING NO. 02_039799 | REV B | |
| PTD ENGINEER <PTD_ENGINEER> | SIZE D | SCALE 1:1 | SHEET 3 OF 12 |

HDMI OUT

| REVISIONS | | | |
|-----------|-------------|------|----------|
| REV | DESCRIPTION | DATE | APPROVED |
| | | | |

LAYOUT NOTES:
[HTTPS://EZ.ANALOG.COM/DOCS/DOC-11303](https://ez.analog.com/docs/doc-11303)

LAYOUT NOTE:
 Z=100OHM DIFF
 50OHM SINGLE ENDED

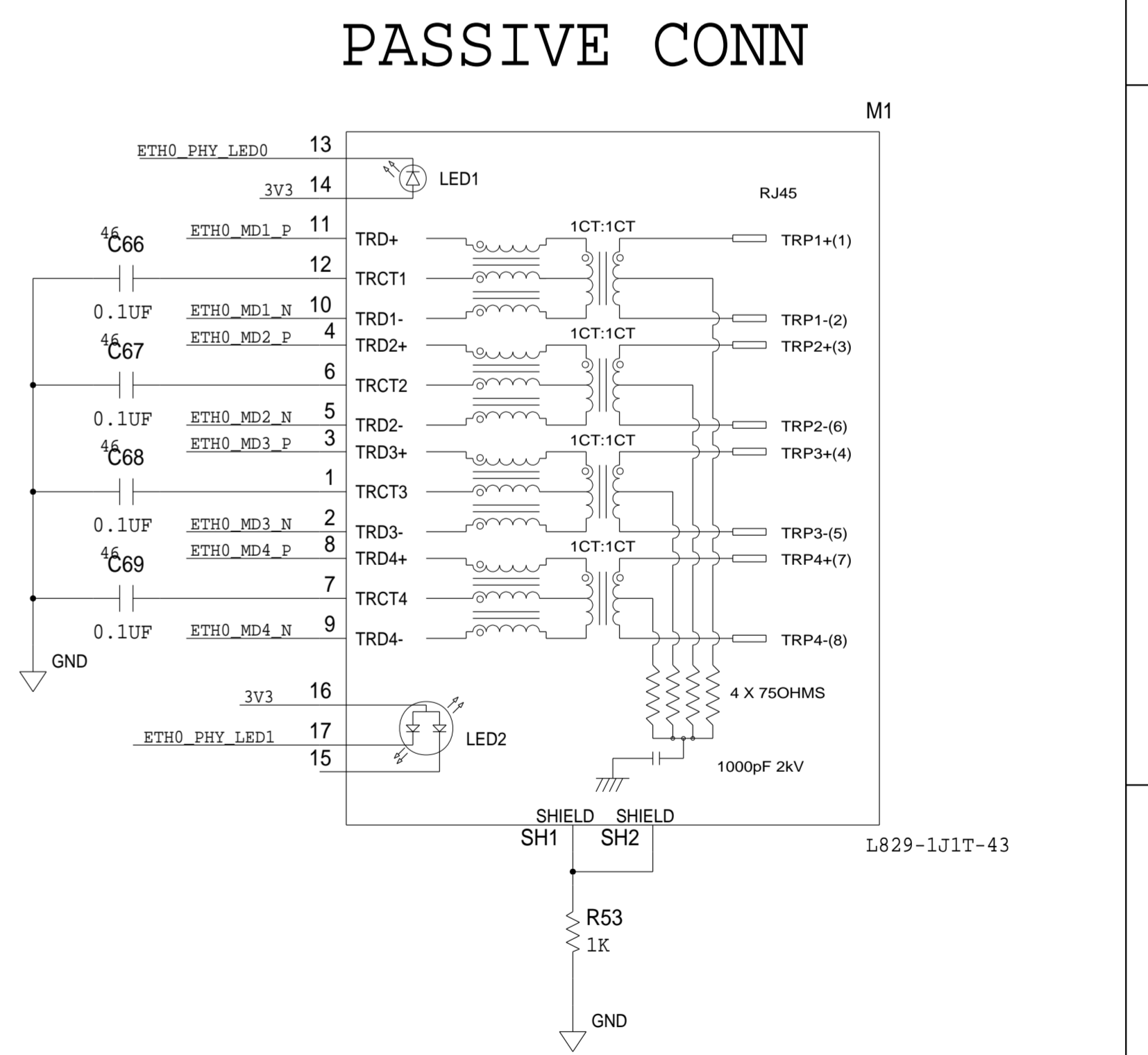
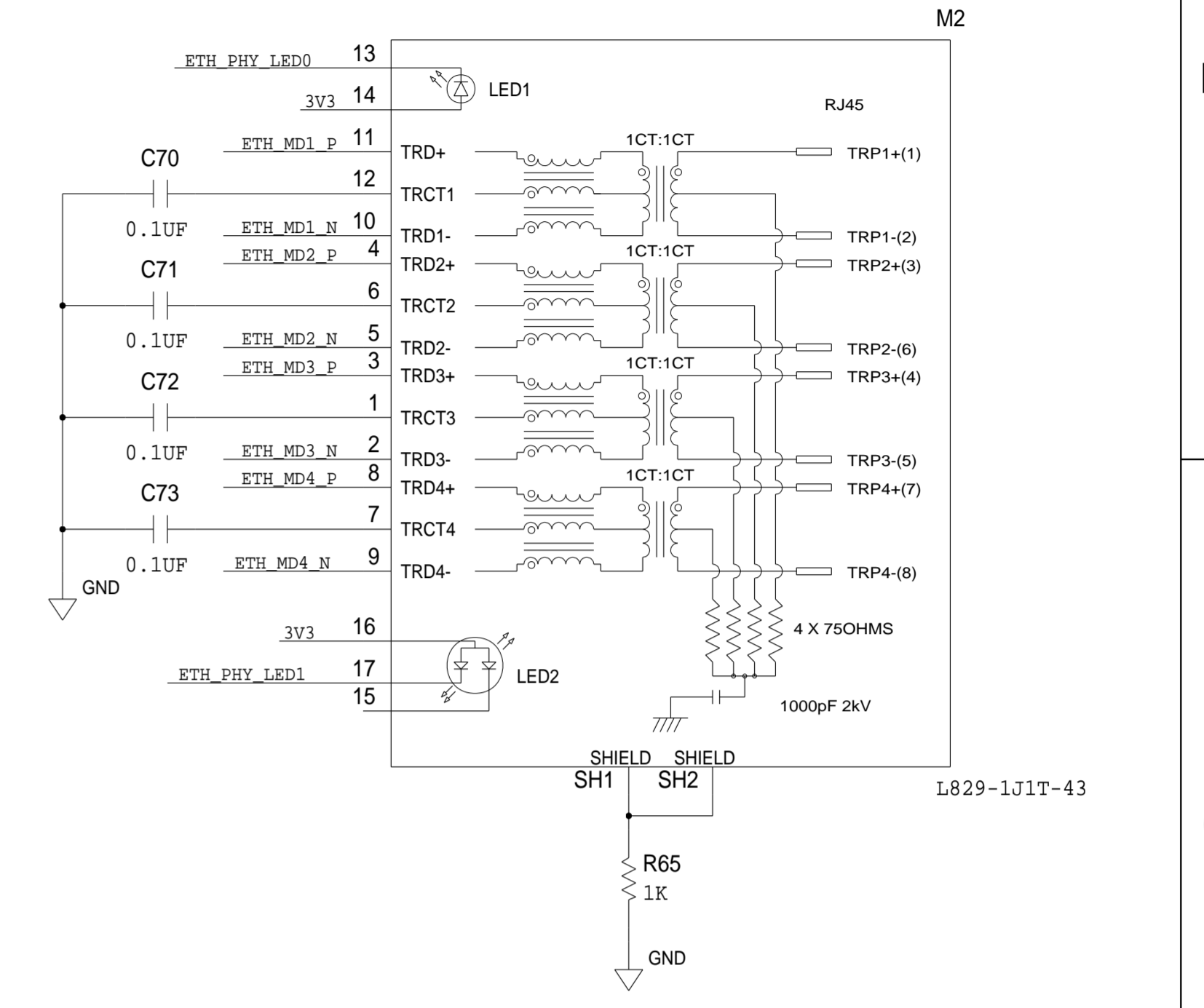
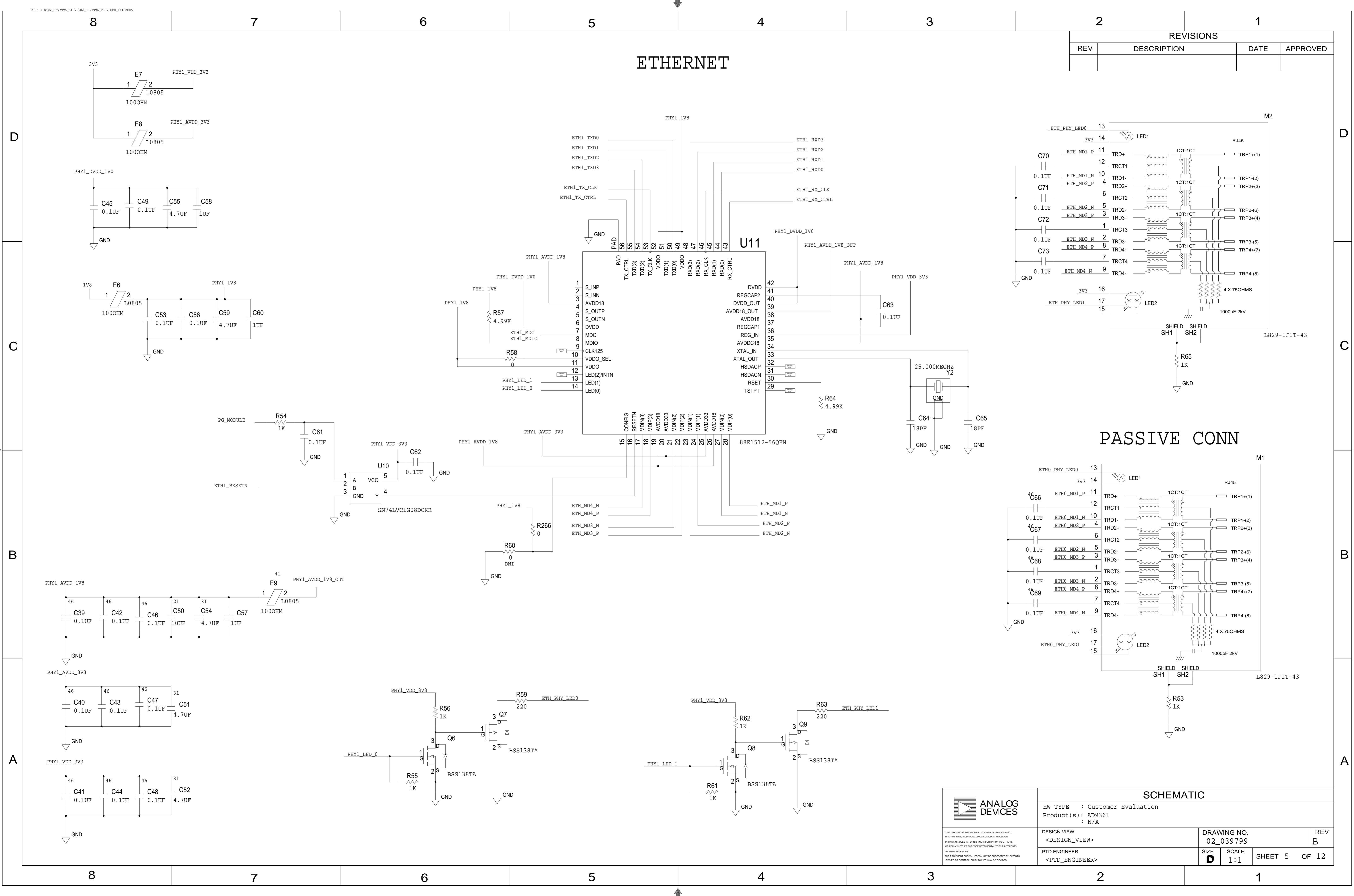


| | | | |
|--------------------------------|---|--------------|---------------|
| | SCHEMATIC | | |
| | HW TYPE : Customer Evaluation Product(s) : AD9361 : N/A | | |
| DESIGN VIEW <DESIGN_VIEW> | DRAWING NO. 02_039799 | REV B | |
| PTD ENGINEER <PTD_ENGINEER> | SIZE D | SCALE 1:1 | SHEET 4 OF 12 |

THIS DRAWING IS THE PROPERTY OF ANALOG DEVICES INC. IT IS NOT TO BE REPRODUCED OR COPIED, IN WHOLE OR IN PART, OR USED IN ANY MANNER WITHOUT THE WRITTEN PERMISSION OF ANALOG DEVICES. THE EQUIPMENT SHOWN HEREIN MAY BE PROTECTED BY PATENTS OWNED OR CONTROLLED BY ANALOG DEVICES.

ETHERNET

| REVISIONS | | | |
|-----------|-------------|------|----------|
| REV | DESCRIPTION | DATE | APPROVED |
| | | | |



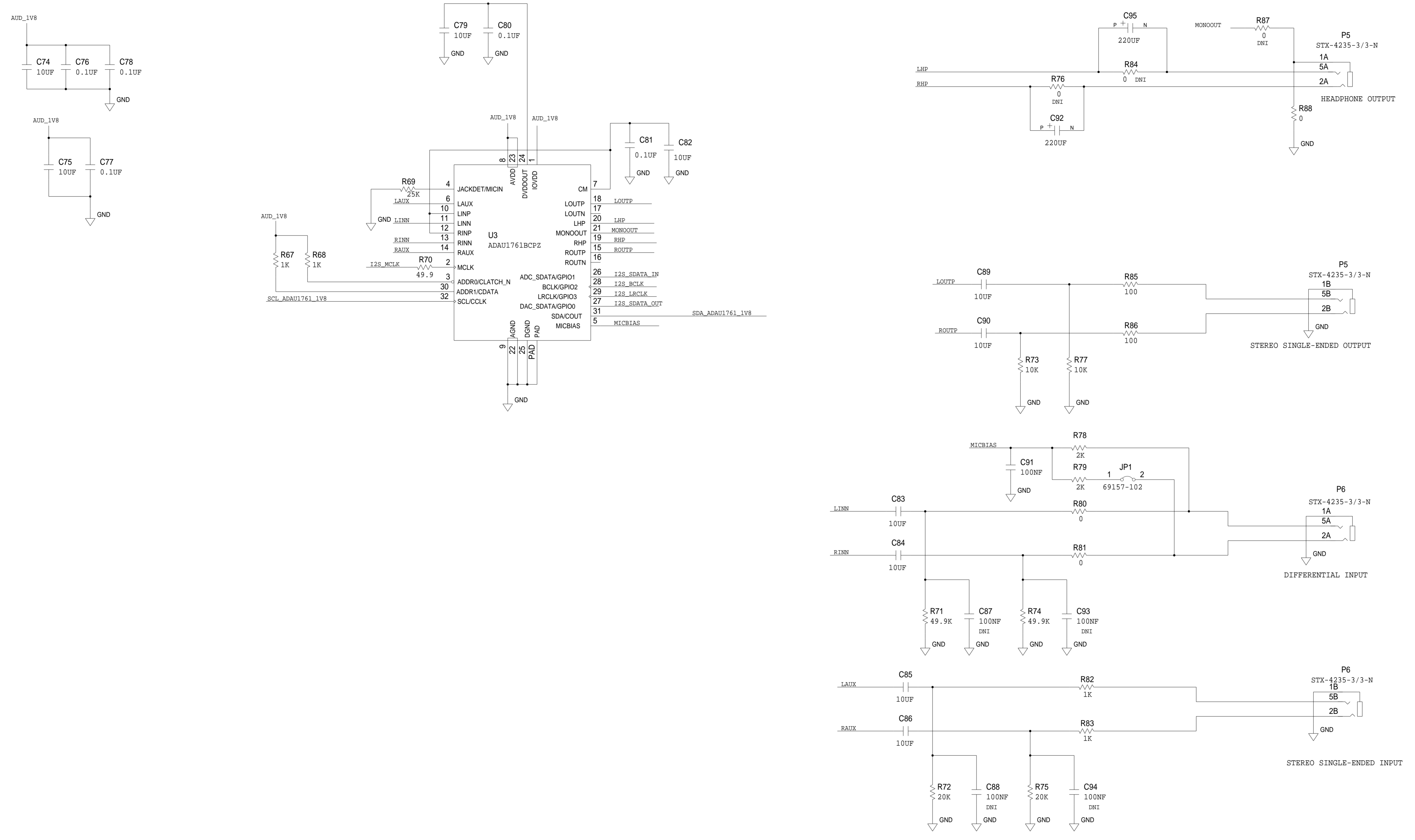
PASSIVE CONN

| SCHEMATIC | | | |
|--------------|----------------|---|-----------|
| | | HW TYPE : Customer Evaluation Product(s) : AD9361 : N/A | |
| DESIGN VIEW | <DESIGN_VIEW> | DRAWING NO. | 02_039799 |
| PTD ENGINEER | <PTD_ENGINEER> | SIZE | D |
| | | SCALE | 1:1 |
| | | SHEET | 5 OF 12 |
| | | REV | B |

THIS DRAWING IS THE PROPERTY OF ANALOG DEVICES INC. IT IS NOT TO BE REPRODUCED OR COPIED, IN WHOLE OR IN PART, OR USED IN ANY MANNER THAT IS DEEMED TO BE IN THE INTERESTS OF ANALOG DEVICES. THE EQUIPMENT SHOWN HEREIN MAY BE PROTECTED BY PATENTS OWNED OR CONTROLLED BY ANALOG DEVICES.

AUDIO CODEC

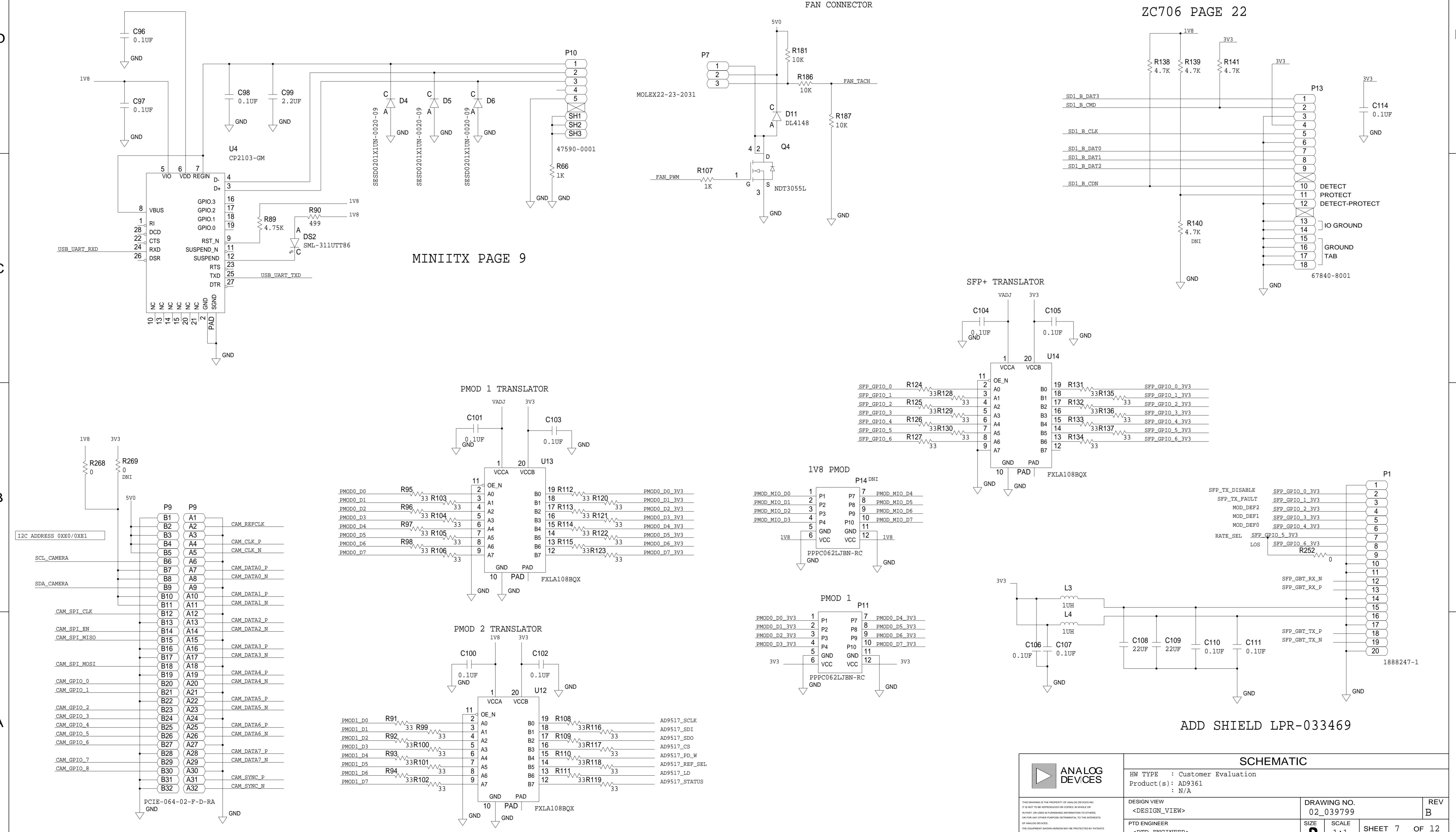
| REVISIONS | | | |
|-----------|-------------|------|----------|
| REV | DESCRIPTION | DATE | APPROVED |
| | | | |



| | | | |
|--|---|--------------------------|--------------|
| | SCHEMATIC | | |
| | HW TYPE : Customer Evaluation Product(s) : AD9361 : N/A | | |
| | DESIGN VIEW <DESIGN_VIEW> | DRAWING NO. 02_039799 | REV B |
| | PTD ENGINEER <PTD_ENGINEER> | SIZE D | SCALE 1:1 |
| | | SHEET 6 OF 12 | |

USB -> SERIAL, SD CARD, SPF+, CAMERA, PMOD

| REVISIONS | | | |
|-----------|-------------|------|----------|
| REV | DESCRIPTION | DATE | APPROVED |
| | | | |



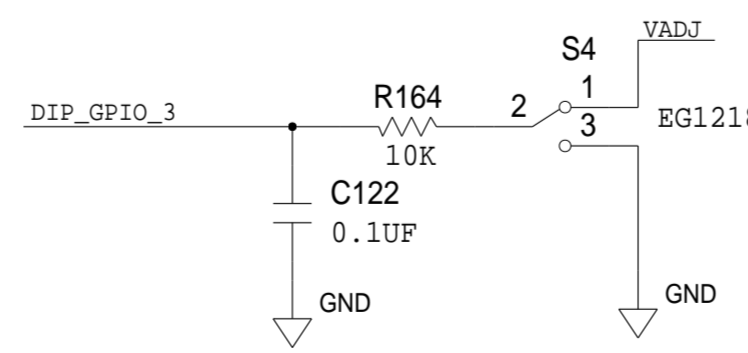
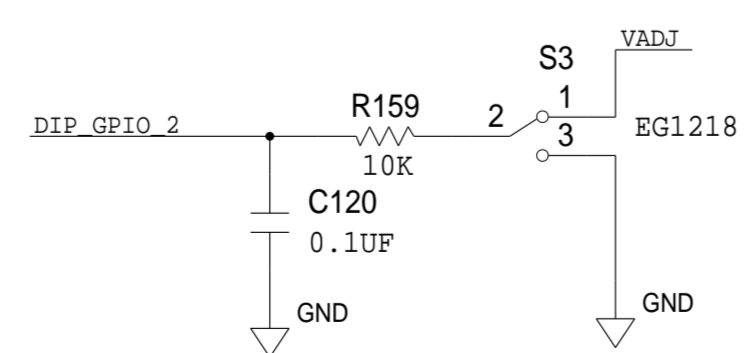
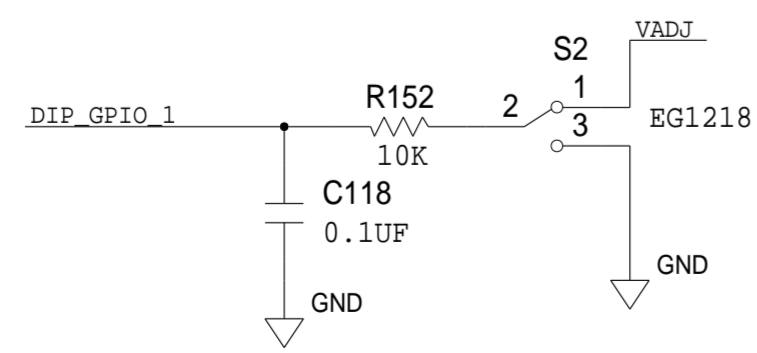
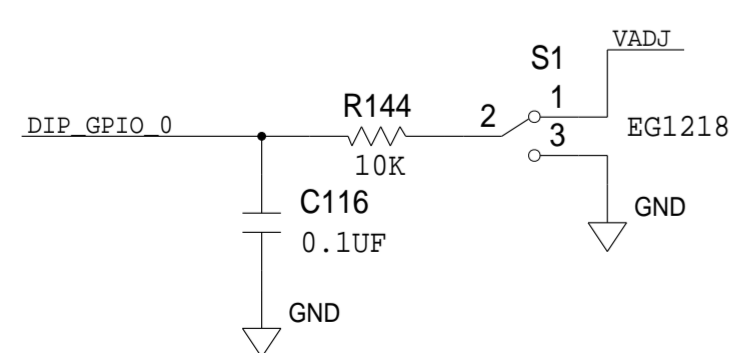
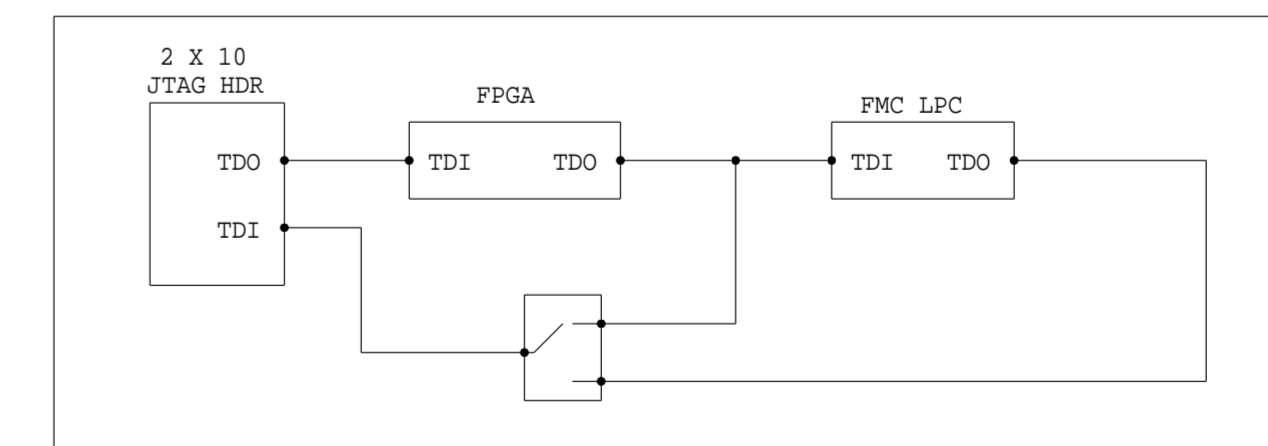
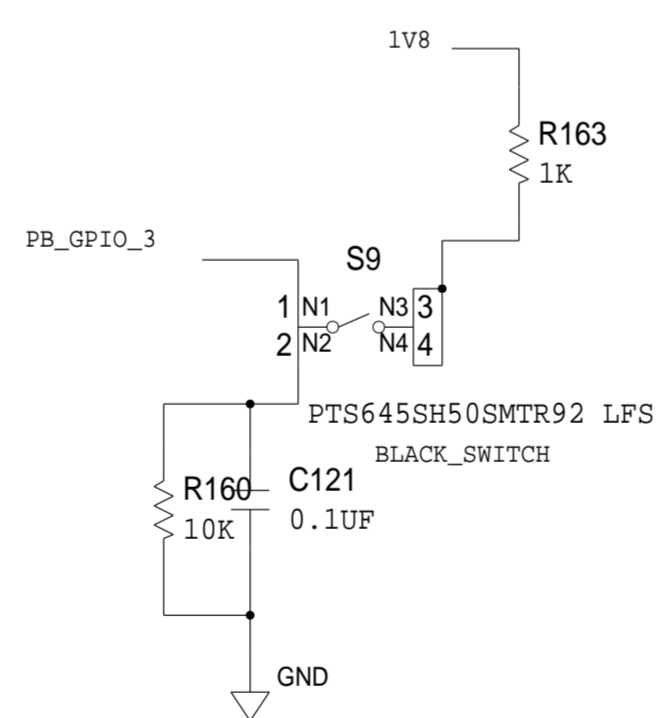
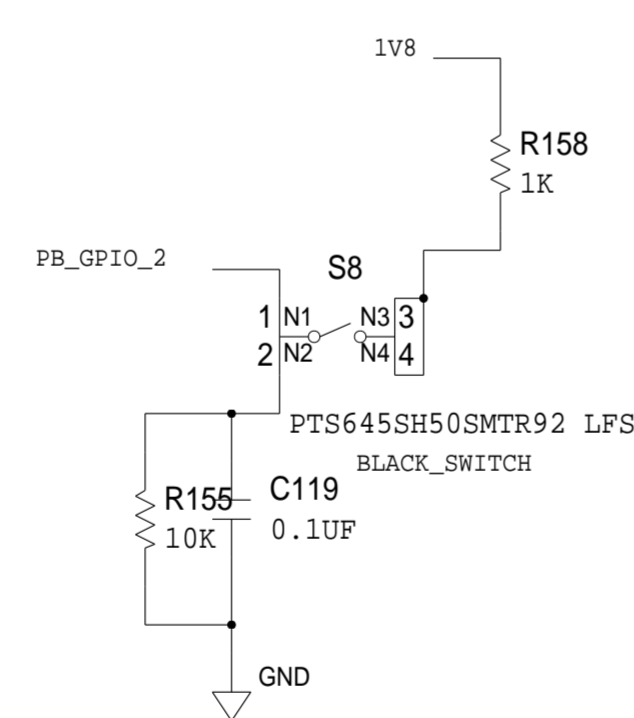
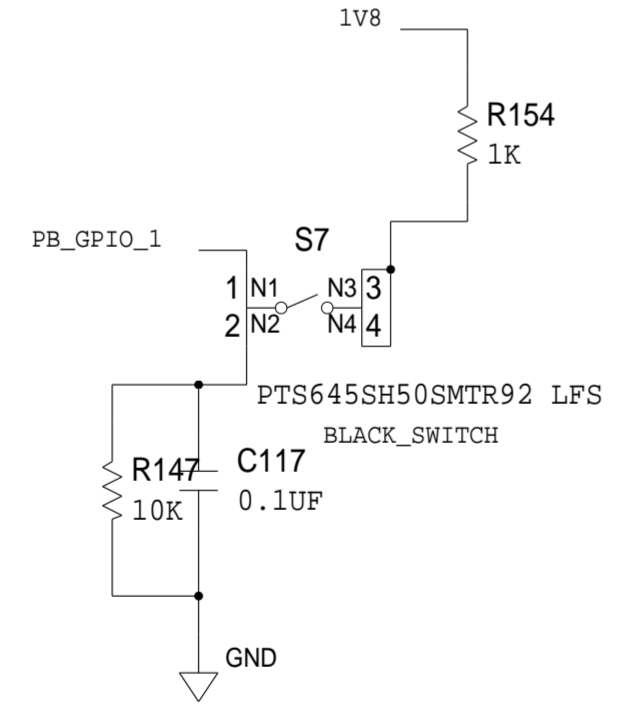
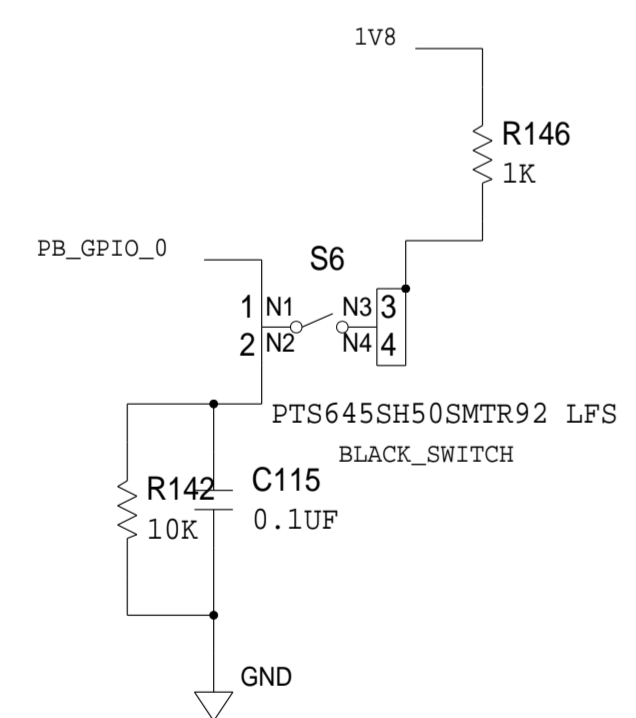
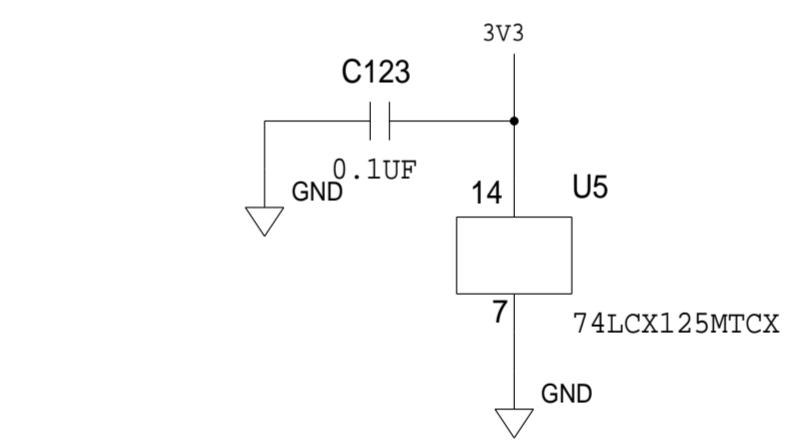
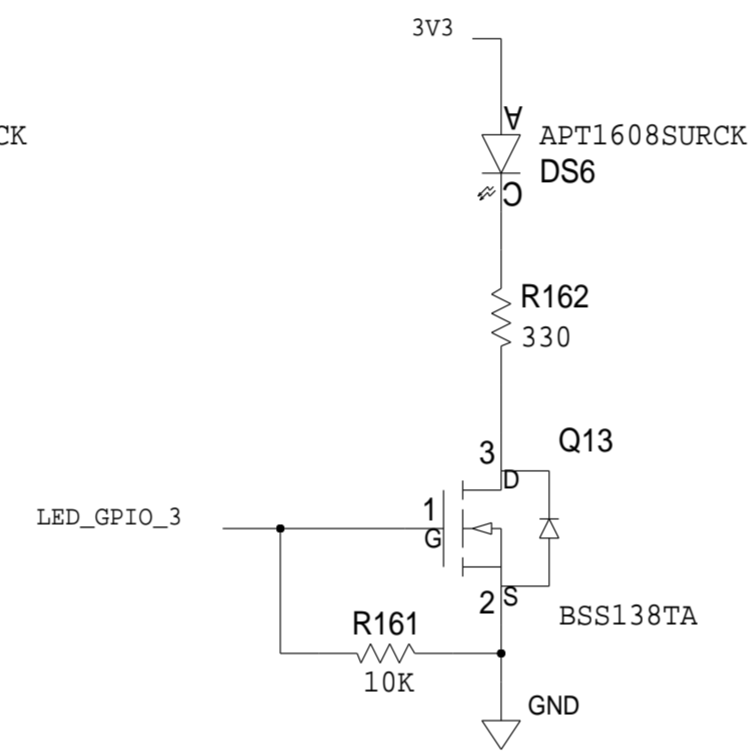
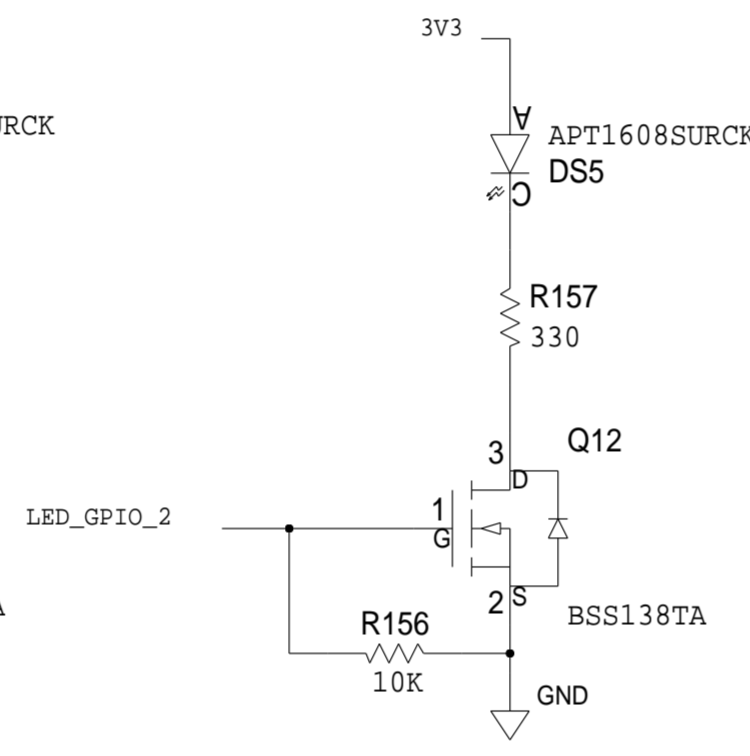
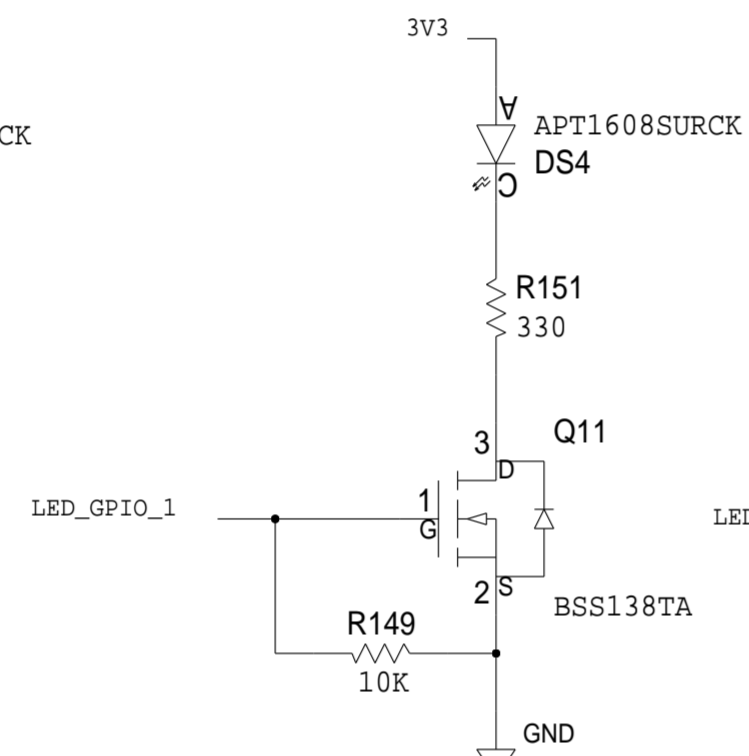
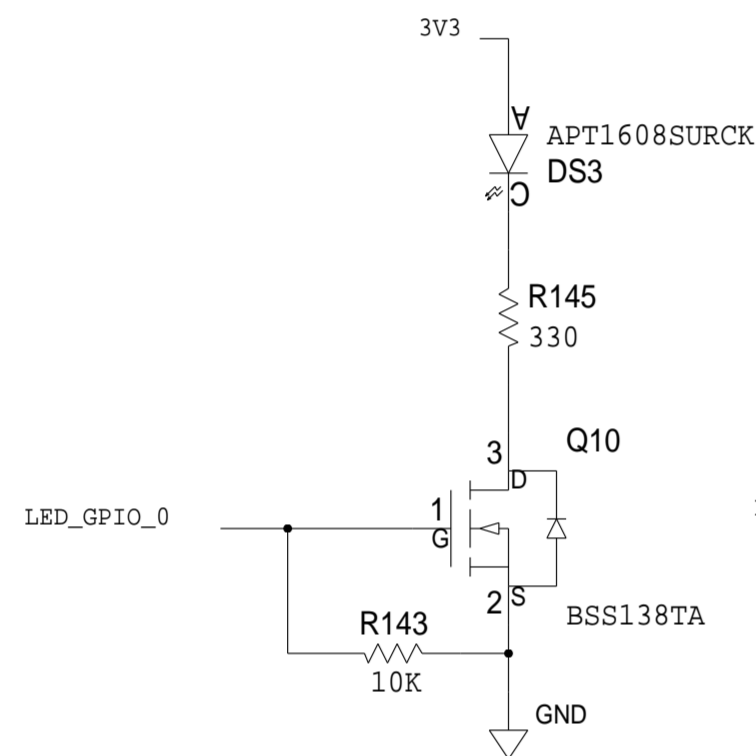
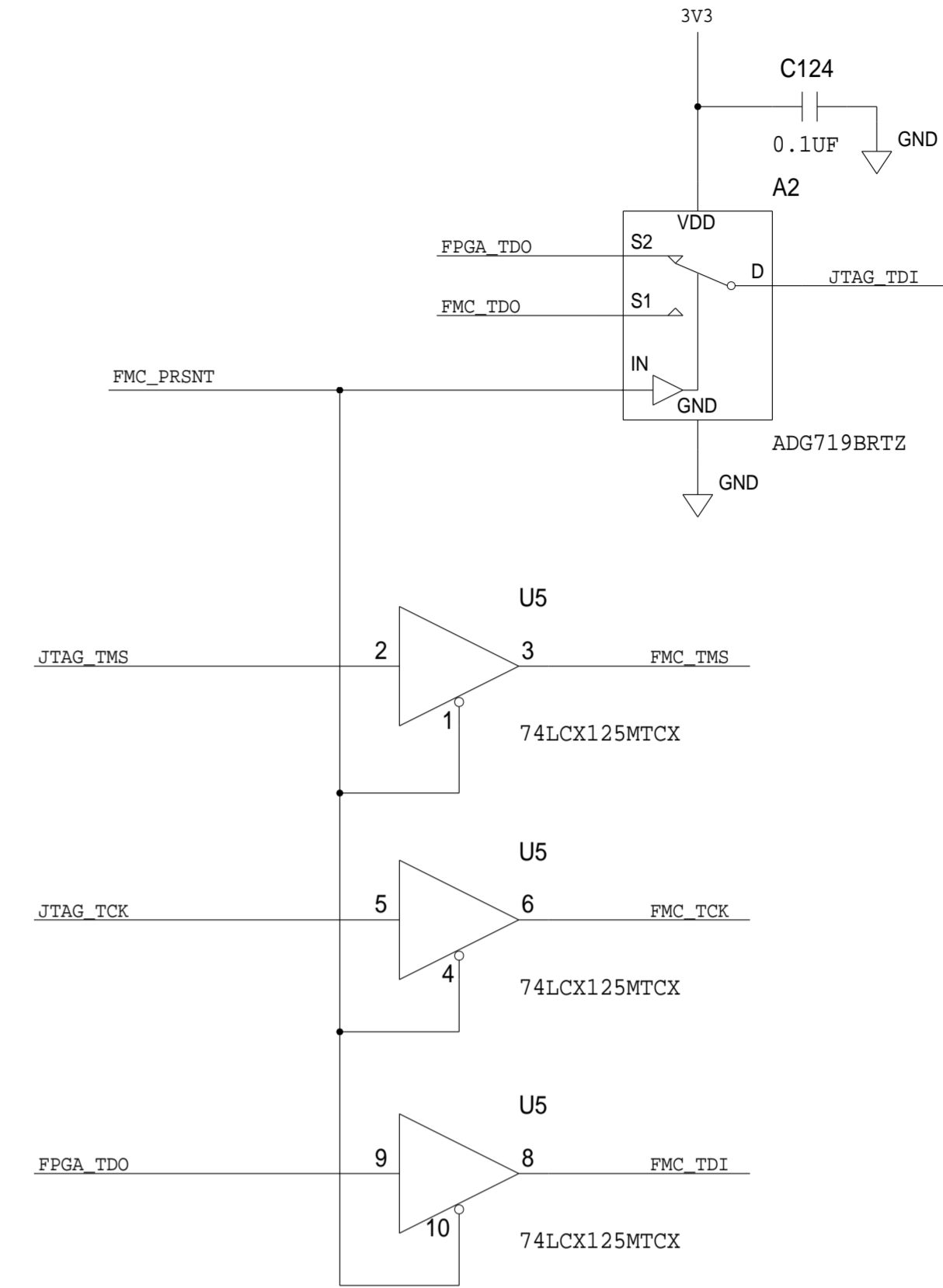
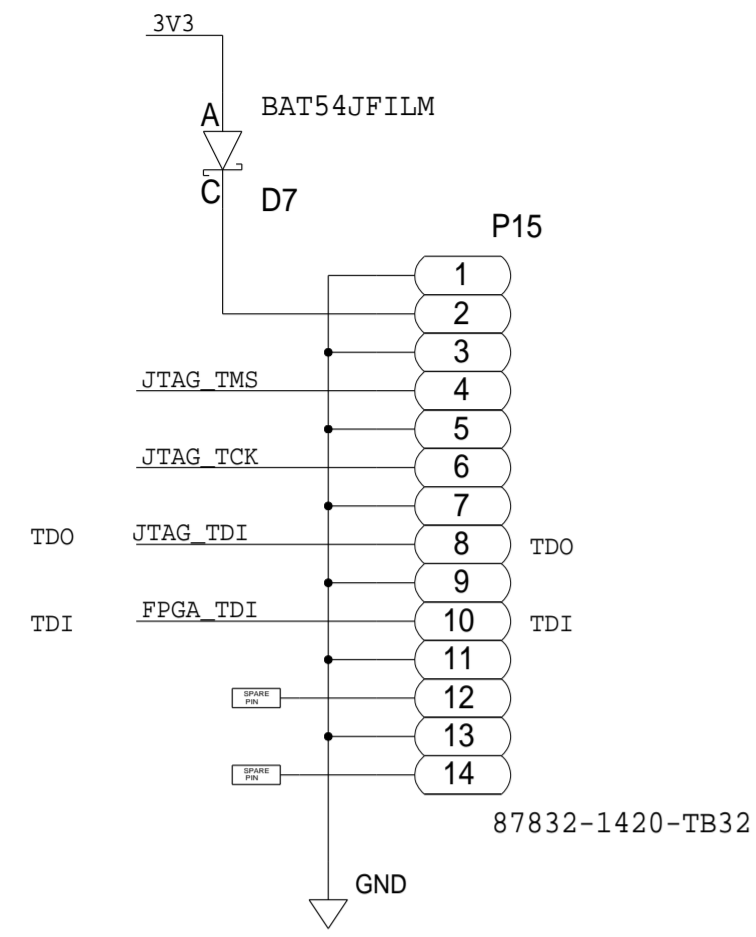
ADD SHIELD LPR-033469

| SCHEMATIC | | | |
|--------------|----------------|---|-----------|
| | | HW TYPE : Customer Evaluation Product(s) : AD9361 : N/A | |
| DESIGN VIEW | <DESIGN_VIEW> | DRAWING NO. | 02_039799 |
| PTD ENGINEER | <PTD_ENGINEER> | SIZE | D |
| | | SCALE | 1:1 |
| | | SHEET | 7 OF 12 |
| | | REV | B |

THIS DRAWING IS THE PROPERTY OF ANALOG DEVICES INC. IT IS NOT TO BE REPRODUCED OR COPIED, IN WHOLE OR IN PART, OR USED IN ANY MANNER WITHOUT THE WRITTEN PERMISSION OF ANALOG DEVICES. THE EQUIPMENT SHOWN HEREIN MAY BE PROTECTED BY PATENTS OWNED OR CONTROLLED BY ANALOG DEVICES.

JTAG, PUSHBUTTONS, SLIDE SWITCHES, LEDS

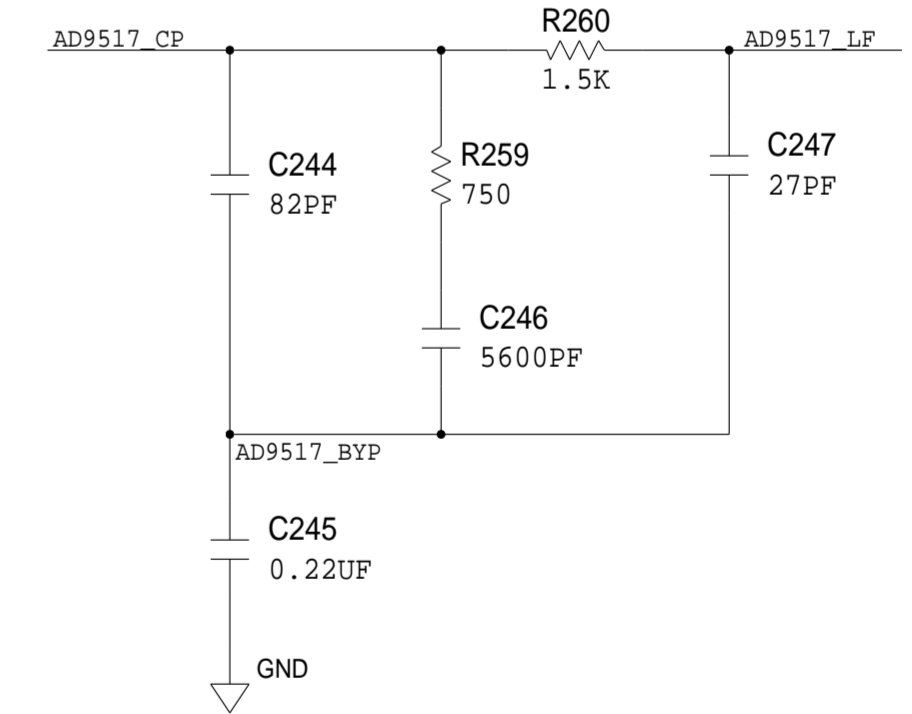
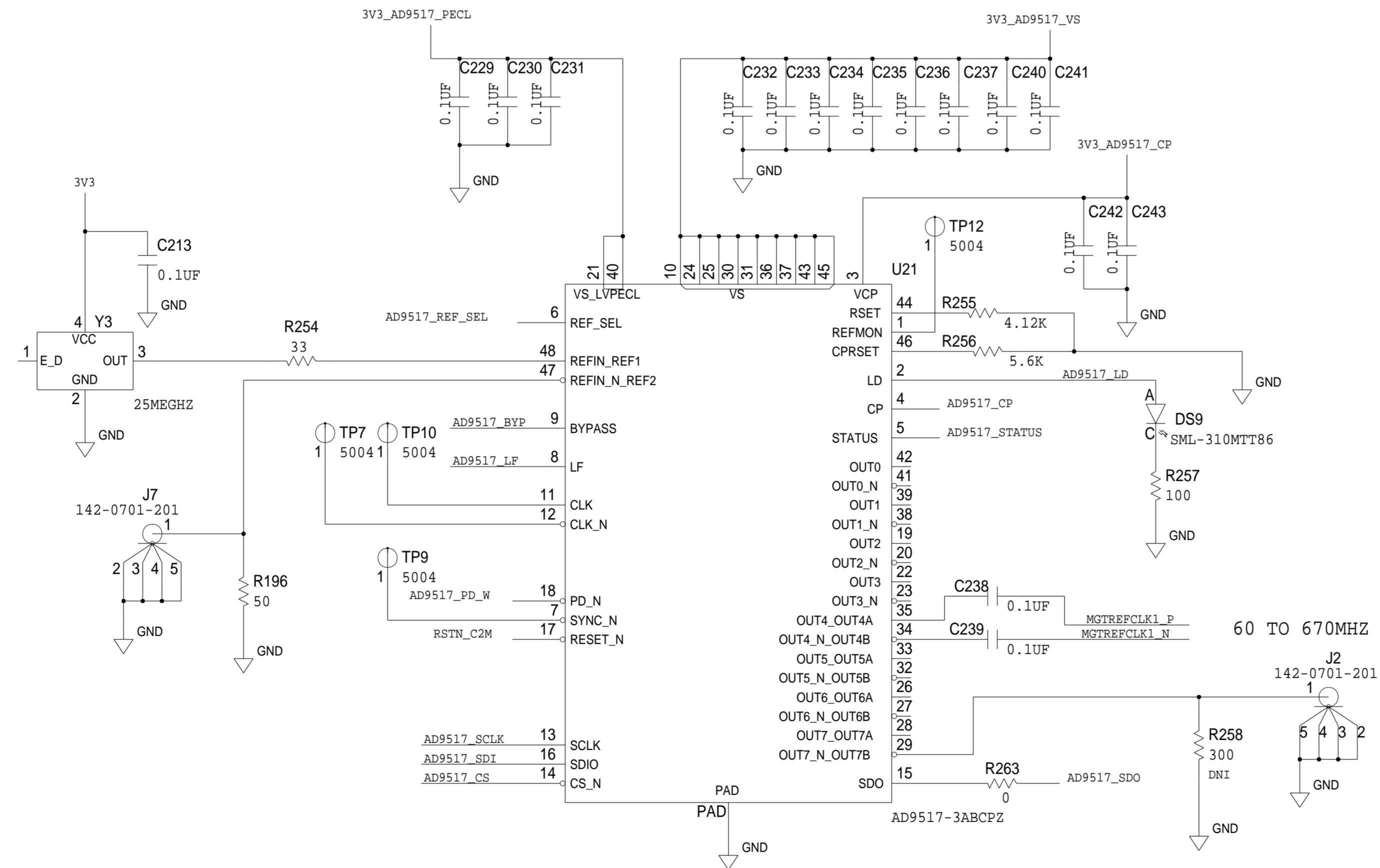
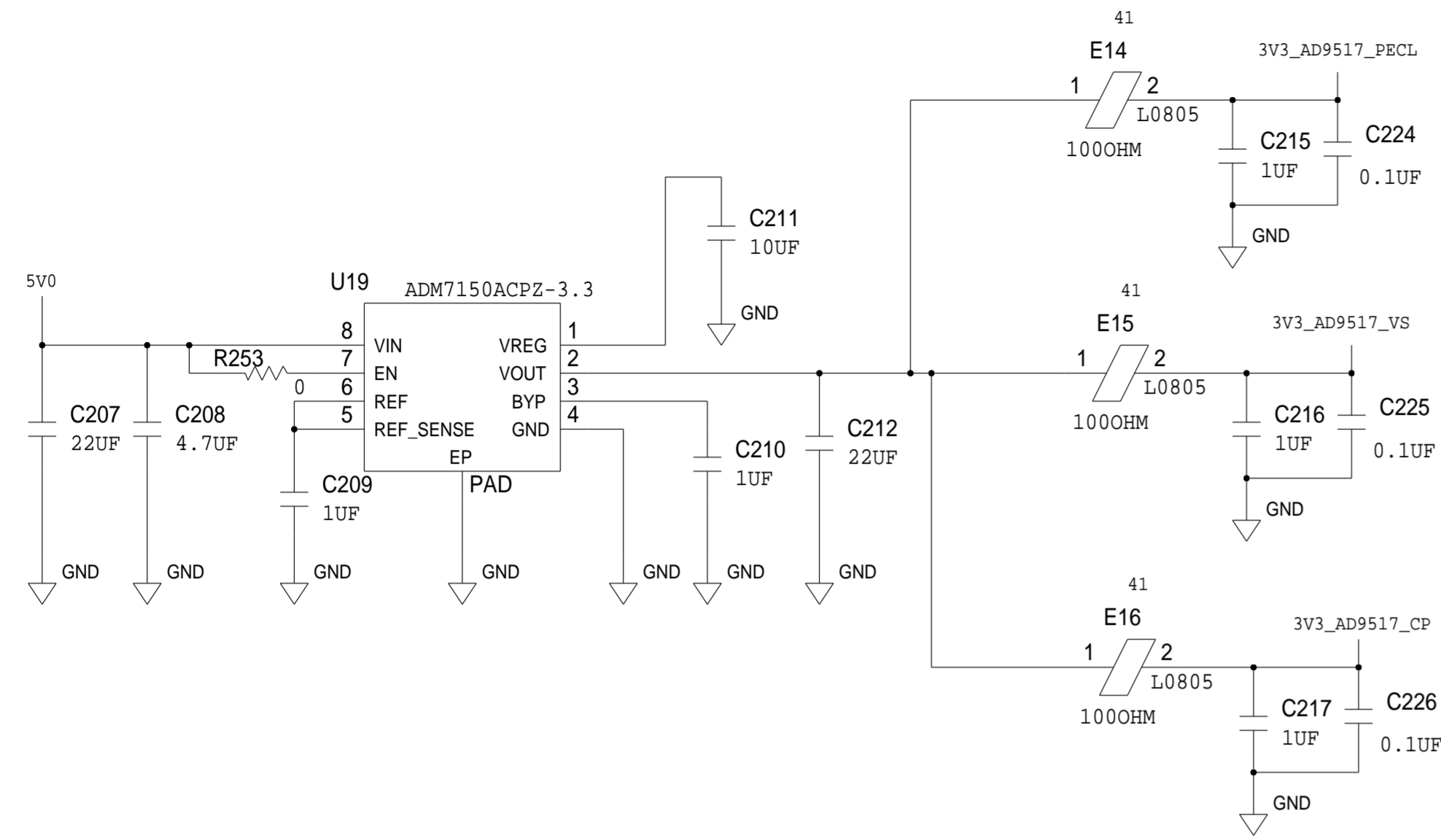
| REVISIONS | | | |
|-----------|-------------|------|----------|
| REV | DESCRIPTION | DATE | APPROVED |
| | | | |



| ANALOG DEVICES | | SCHEMATIC | | | |
|---|--|-------------------------------|--------|-----------------------|---------------|
| <small>THIS DRAWING IS THE PROPERTY OF ANALOG DEVICES INC. IT IS NOT TO BE REPRODUCED OR COPIED, IN WHOLE OR IN PART, OR USED IN ANY MANNER THAT WOULD BE DETRIMENTAL TO THE INTERESTS OF ANALOG DEVICES. THE EQUIPMENT SHOWN HEREIN MAY BE PROTECTED BY PATENTS OWNED OR CONTROLLED BY ANALOG DEVICES.</small> | | HW TYPE : Customer Evaluation | | DRAWING NO. 02_039799 | |
| | | Product(s) : AD9361 | | REV B | |
| <DESIGN_VIEW> | | DESIGN VIEW | SIZE D | SCALE 1:1 | SHEET 8 OF 12 |
| <PTD_ENGINEER> | | PTD ENGINEER | | | |

| REVISIONS | | | |
|-----------|-------------|------|----------|
| REV | DESCRIPTION | DATE | APPROVED |
| | | | |

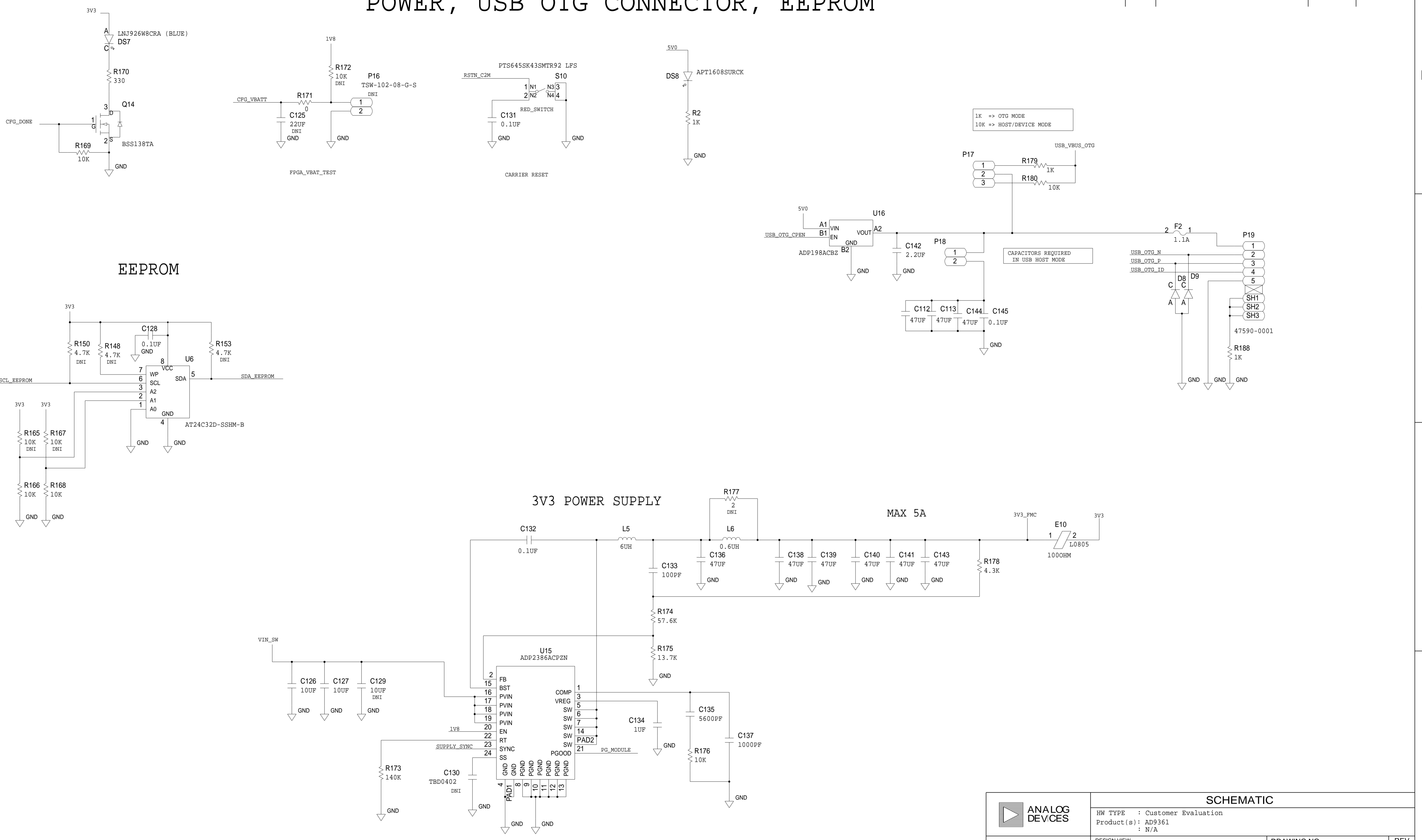
REF CLOCK



| | | | |
|--------------------------------|---|--------------|---------------|
| | SCHEMATIC | | |
| | HW TYPE : Customer Evaluation Product(s) : AD9361 : N/A | | |
| DESIGN VIEW <DESIGN_VIEW> | DRAWING NO. 02_039799 | REV B | |
| PTD ENGINEER <PTD_ENGINEER> | SIZE D | SCALE 1:1 | SHEET 9 OF 12 |

POWER, USB OTG CONNECTOR, EEPROM

| REVISIONS | | | |
|-----------|-------------|------|----------|
| REV | DESCRIPTION | DATE | APPROVED |
| | | | |

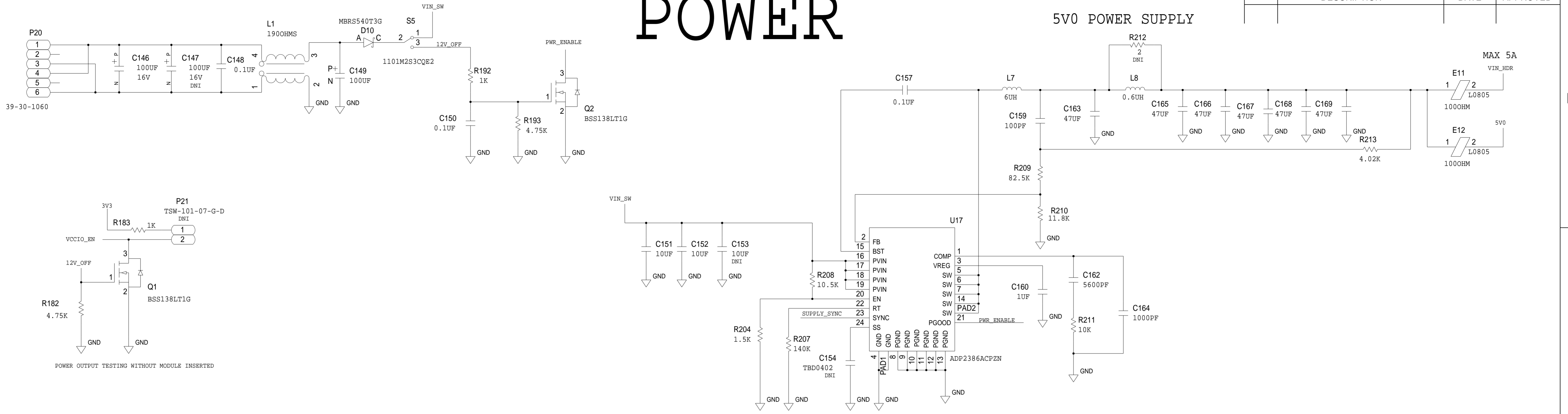


| | | | |
|--|---|--------------------------|--------------|
| | SCHEMATIC | | |
| | HW TYPE : Customer Evaluation Product(s) : Ad9361 : N/A | | |
| | DESIGN VIEW <DESIGN_VIEW> | DRAWING NO. 02_039799 | REV B |
| | PTD ENGINEER <PTD_ENGINEER> | SIZE D | SCALE 1:1 |
| | | SHEET 10 OF 12 | |

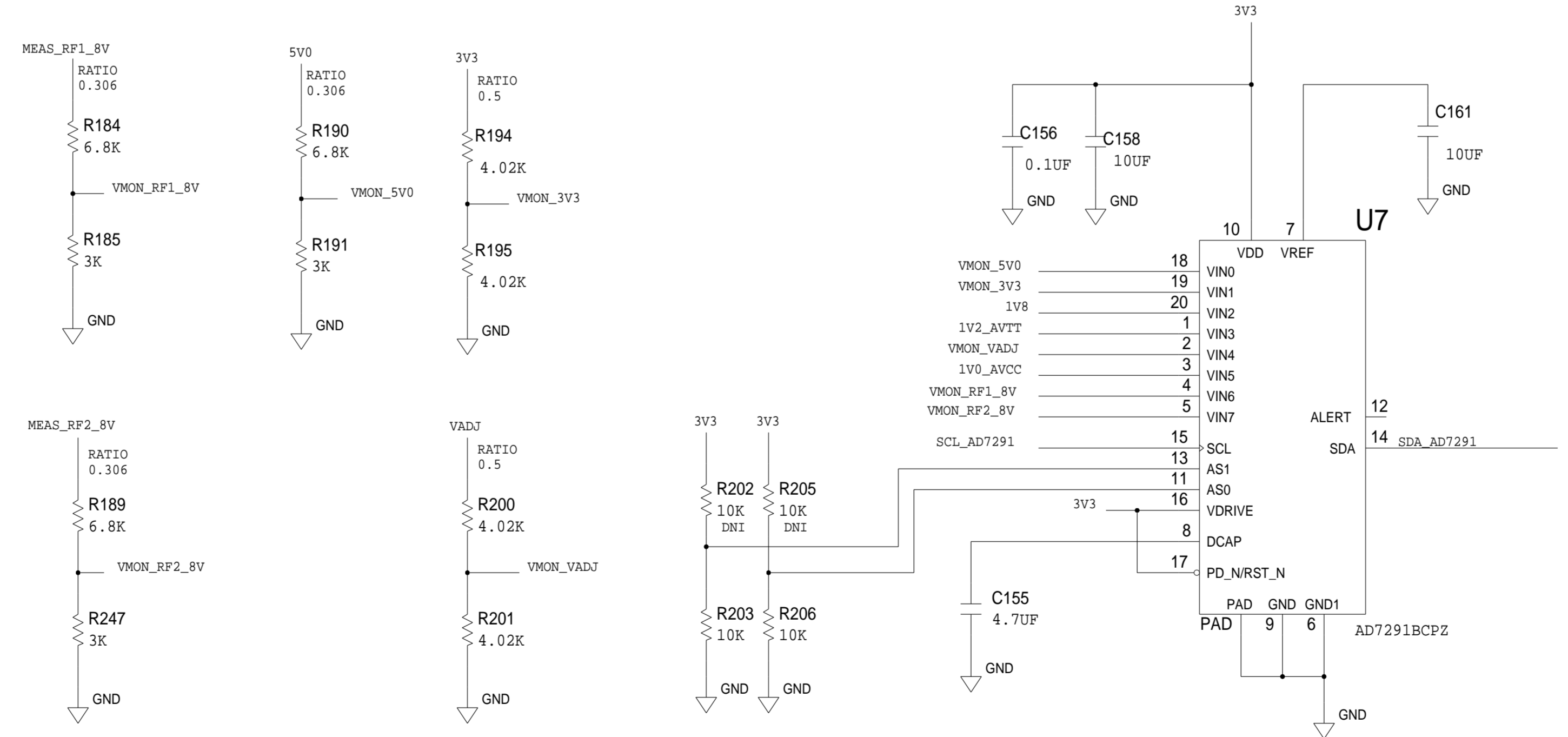
| REVISIONS | | | |
|-----------|-------------|------|----------|
| REV | DESCRIPTION | DATE | APPROVED |
| | | | |

POWER

5V0 POWER SUPPLY



VOLTAGE MONITORING

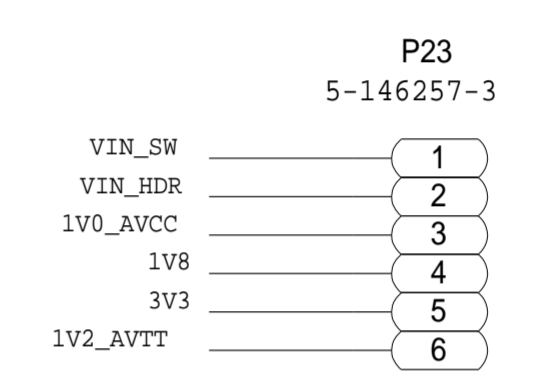


| | | | |
|--|---|--------------------------|--------------|
| | SCHEMATIC | | |
| | HW TYPE : Customer Evaluation Product(s) : AD9361 : N/A | | |
| | DESIGN VIEW <DESIGN_VIEW> | DRAWING NO. 02_039799 | REV B |
| | PTD ENGINEER <PTD_ENGINEER> | SIZE D | SCALE 1:1 |

| REVISIONS | | | |
|-----------|-------------|------|----------|
| REV | DESCRIPTION | DATE | APPROVED |
| | | | |

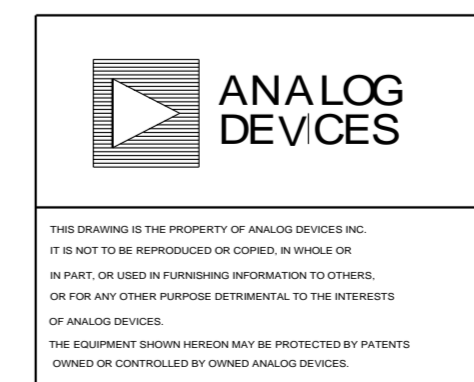
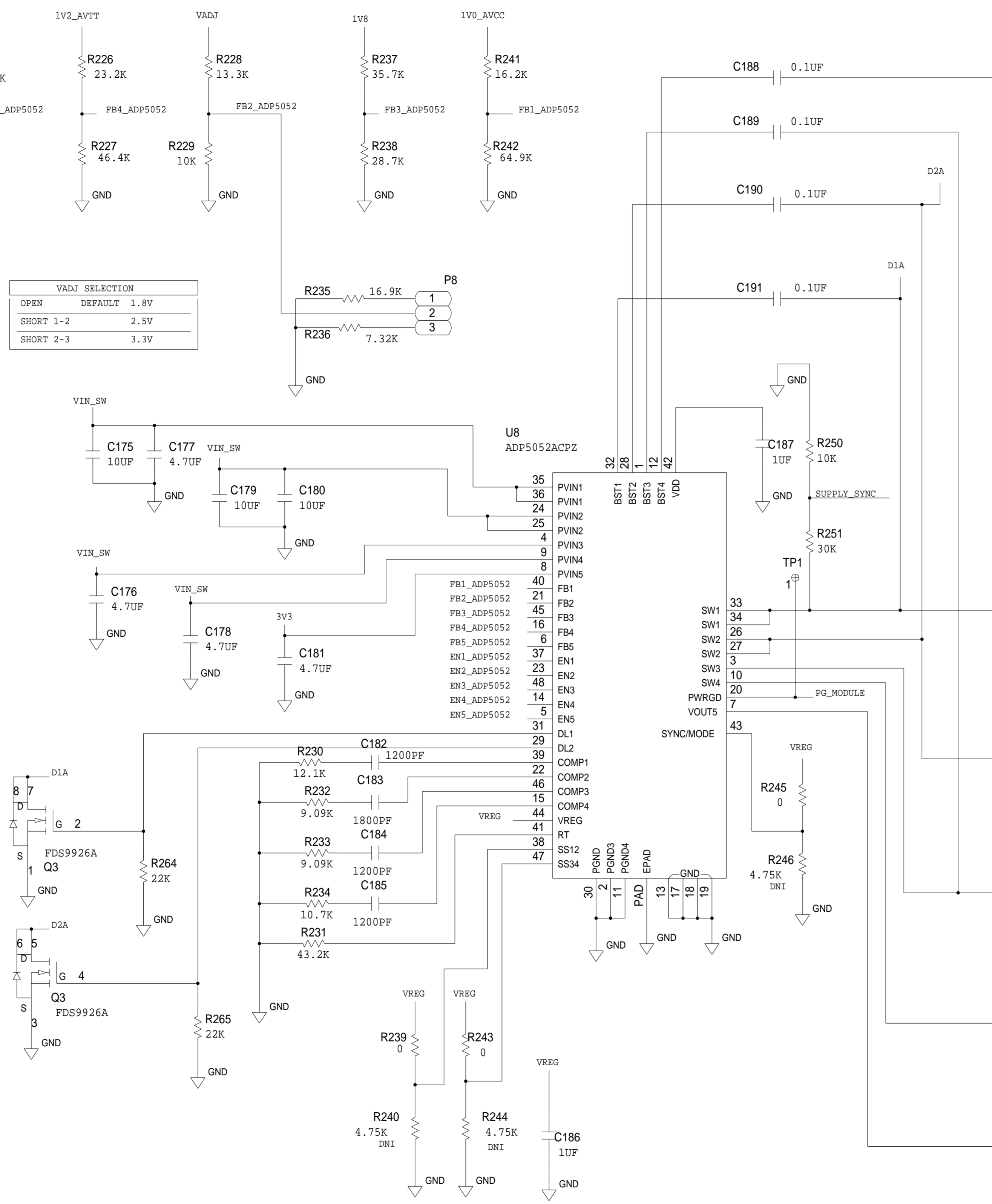
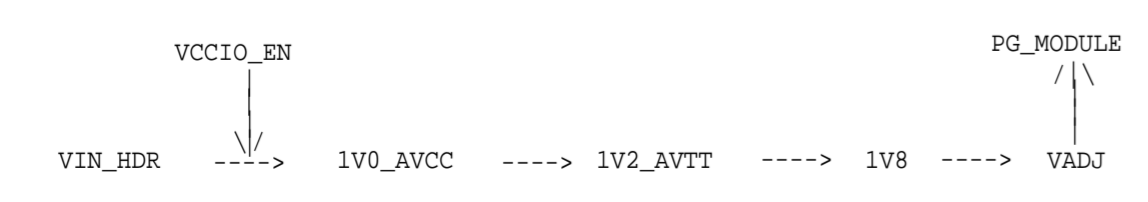
POWER

VOLTAGE MONITOR PLUG



| VADJ SELECTION | | |
|----------------|---------|------|
| OPEN | DEFAULT | 1.8V |
| SHORT 1-2 | | 2.5V |
| SHORT 2-3 | | 3.3V |

POWER SEQUENCE



| SCHEMATIC | | | |
|-------------------------------|--|-------------------------|-------------|
| HW TYPE : Customer Evaluation | | Product(s) : AD9361 | |
| DESIGN VIEW : <DESIGN_VIEW> | | DRAWING NO. : 02_039799 | |
| PTD ENGINEER : <PTD_ENGINEER> | | SIZE : D | SCALE : 1:1 |
| | | SHEET 12 OF 12 | |

THIS DRAWING IS THE PROPERTY OF ANALOG DEVICES INC. IT IS NOT TO BE REPRODUCED OR COPIED IN WHOLE OR IN PART, OR USED IN ANY MANNER WITHOUT THE WRITTEN PERMISSION OF ANALOG DEVICES. THE EQUIPMENT SHOWN HEREIN MAY BE PROTECTED BY PATENTS OWNED OR CONTROLLED BY ANALOG DEVICES.