

8 7 6 5 4 3 2 1

THIS DRAWING IS THE PROPERTY OF ANALOG DEVICES INC. IT IS NOT TO BE REPRODUCED OR COPIED, IN WHOLE OR IN PART, OR USED IN FURNISHING INFORMATION TO OTHERS, OR FOR ANY OTHER PURPOSE DETRIMENTAL TO THE INTERESTS OF ANALOG DEVICES. THE EQUIPMENT SHOWN HEREON MAY BE PROTECTED BY PATENTS OWNED OR CONTROLLED BY ANALOG DEVICES.

JUMPER TABLE		
JP#	ON	OFF
1		
2		
3		
4		
5		

REVISIONS			
REV	DESCRIPTION	DATE	APPROVED
A	ORIGINATION	NOV-2014	C. E.

RELAY CONTROL CHART

CONTROL	CODE	DEVICE	FUNCTION	CONNECTOR

\* SEE ASSEMBLY INSTRUCTIONS

- PG2 AD9361+ZINQ MODULE CONNECTORS
- PG3 FMC + RF MODULE CONNECTORS
- PG4 HDMI OUT
- PG5 ETHERNET
- PG6 AUDIO CODEC
- PG7 USB -> SERIAL, SD CARD, SPF+, CAMERA, PMOD
- PG8 JTAG,PUSHBUTTONS, SLIDE SWITCHES, LEDS
- PG9 REF CLOCK
- PG10 POWER & MISCELLANEOUS
- PG11 POWER
- PG12 POWER

# AES-PZSDRCC-FMC-G

20-JAN-2016

P.O SPEC.	BK/BD SPEC.	SOCKET OEM	OEM PART#	HANDLER

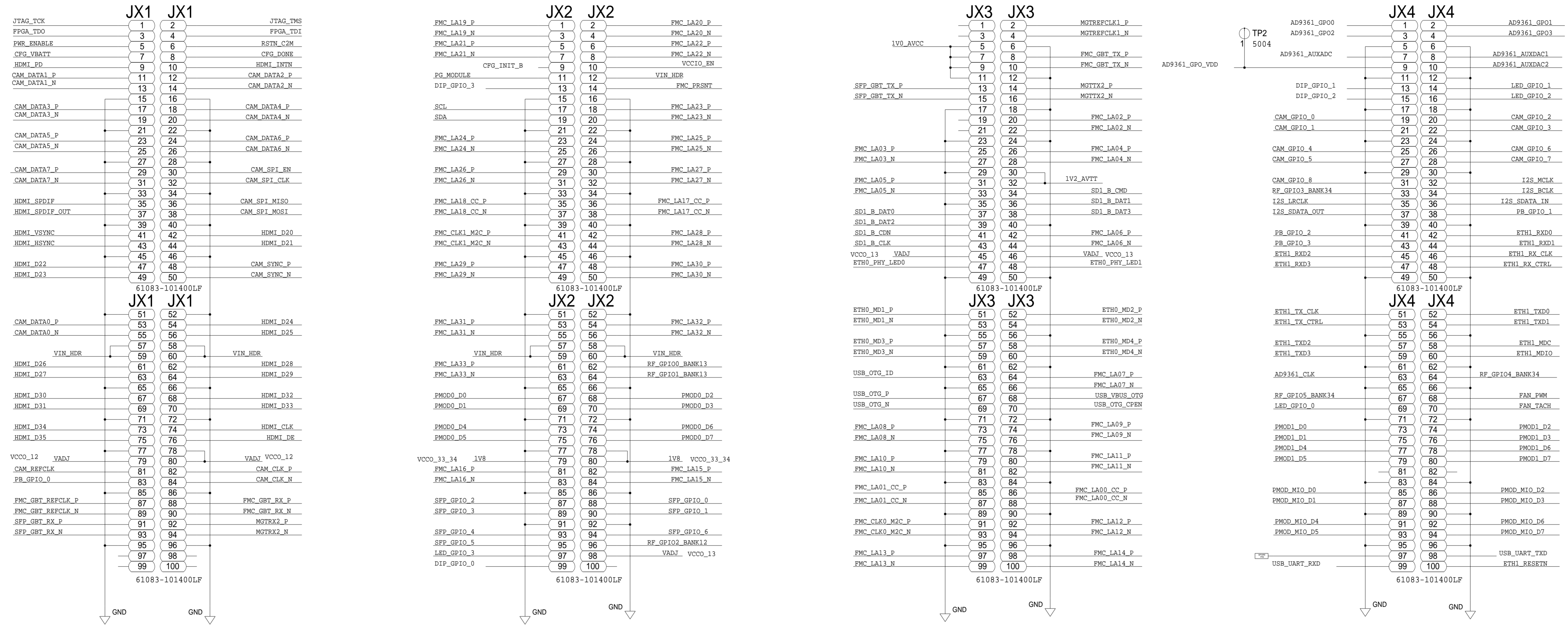
TEMPLATE ENGINEER -	DATE	<h2 style="text-align: center;">SCHEMATIC</h2> <p>HW TYPE : Customer Evaluation                  Product(s): AD9361                  : N/A                  PACKAGE : PinCount-lead N/A Package-family                  : Pitch-pitch StyleVendor Style</p>		
HARDWARE SERVICES -				
HARDWARE SYSTEMS -				
TEST ENGINEER -				
COMPONENT ENGINEER -				
TEST PROCESS -				
HARDWARE RELEASE -		<User Define> <User Define> <User Define>		
DESIGNER -	MASTER PROJECT TEMPLATE TBD	TESTER TEMPLATE no_template	DRAWING NO. 02_039799	REV. C
PTD ENGINEER <PTD_ENGINEER>	UNLESS OTHERWISE SPECIFIED DIMENSIONS ARE IN INCHES			
CHECKER -	TOLERANCES DECIMALS     FRACTIONS     ANGLES X.XX +0.010     +1/32     +2 X.XXX +0.005			SIZE <b>D</b> SCALE 1:1 CODE ID NO. CodeID SHEET 1 OF 12

8 7 6 5 4 3 2 1

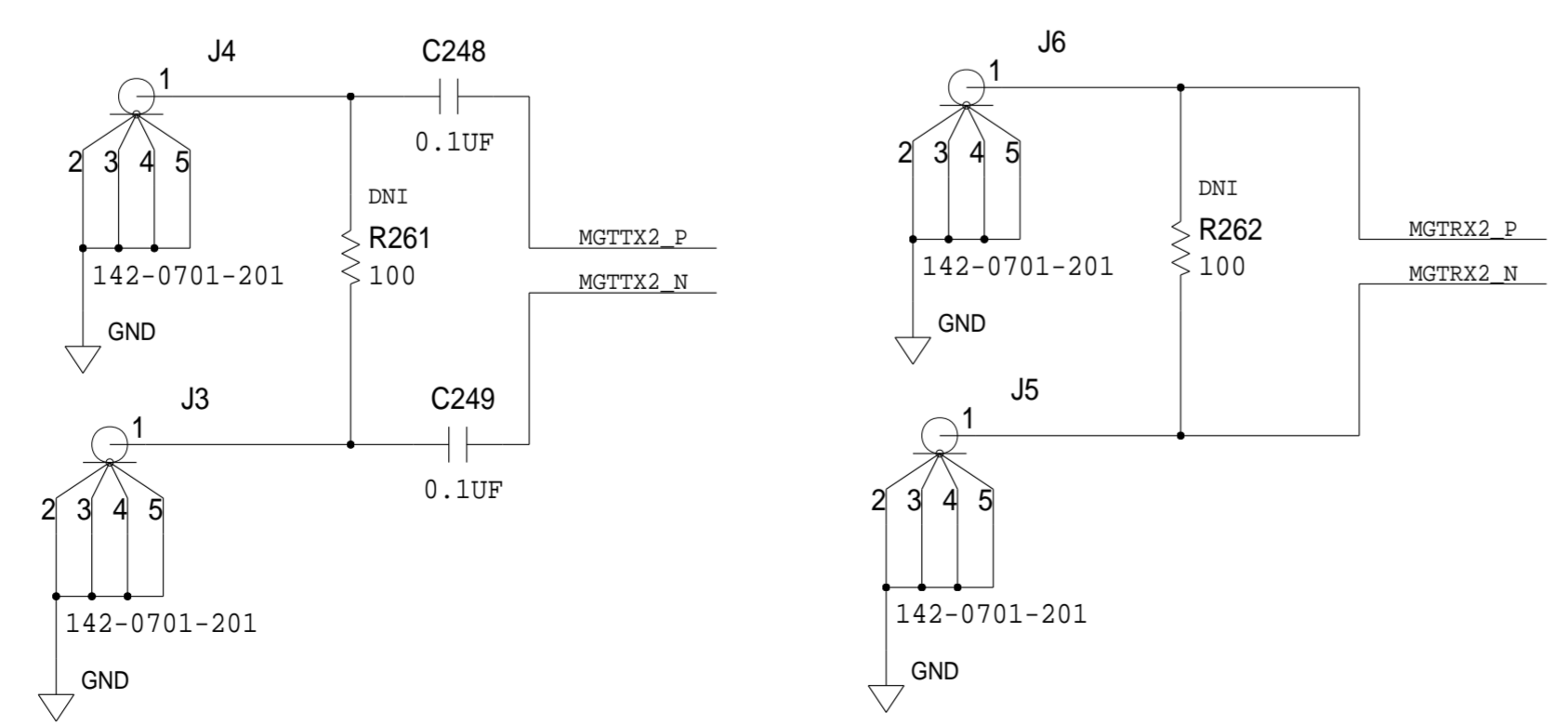
# AD9361+ZYNQ MODULE CONNECTORS

REVISIONS			
REV	DESCRIPTION	DATE	APPROVED

ADDITIONAL CONNECTOR



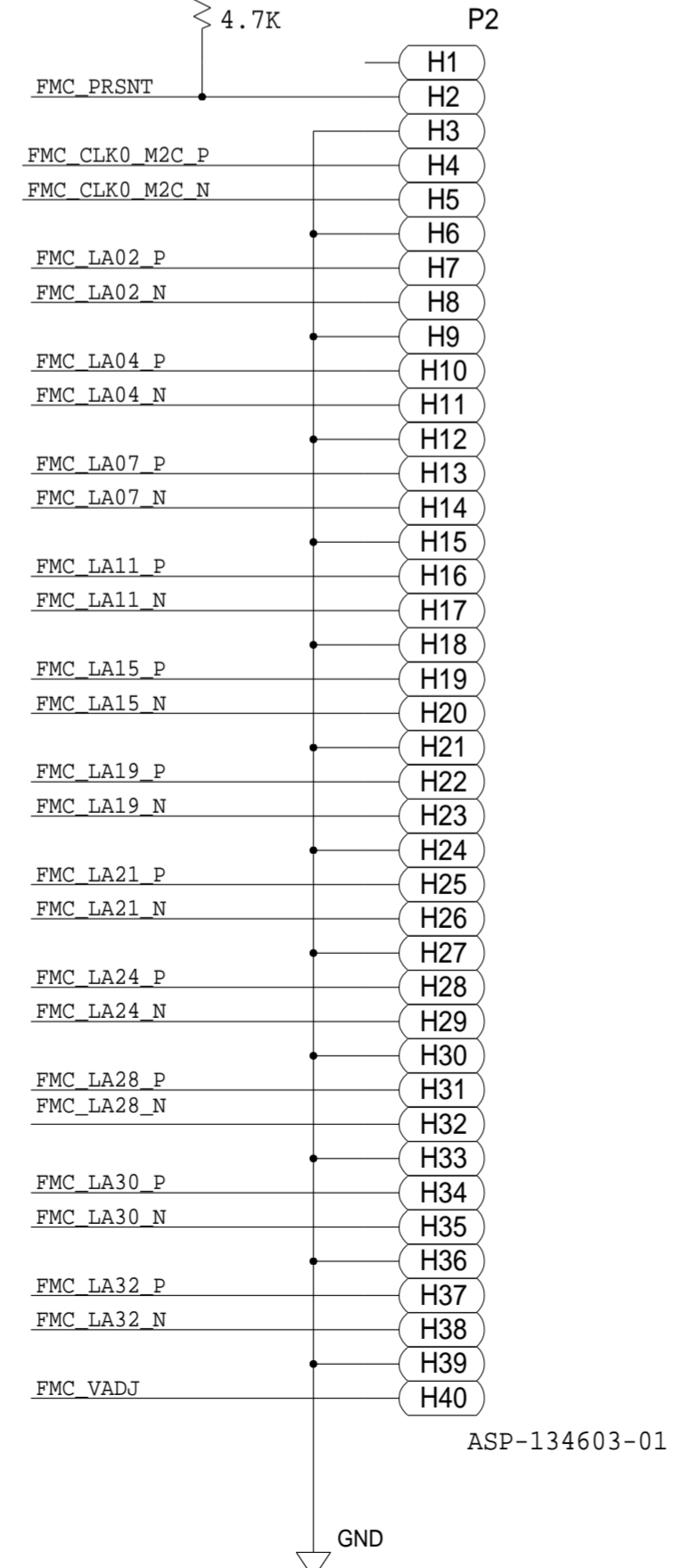
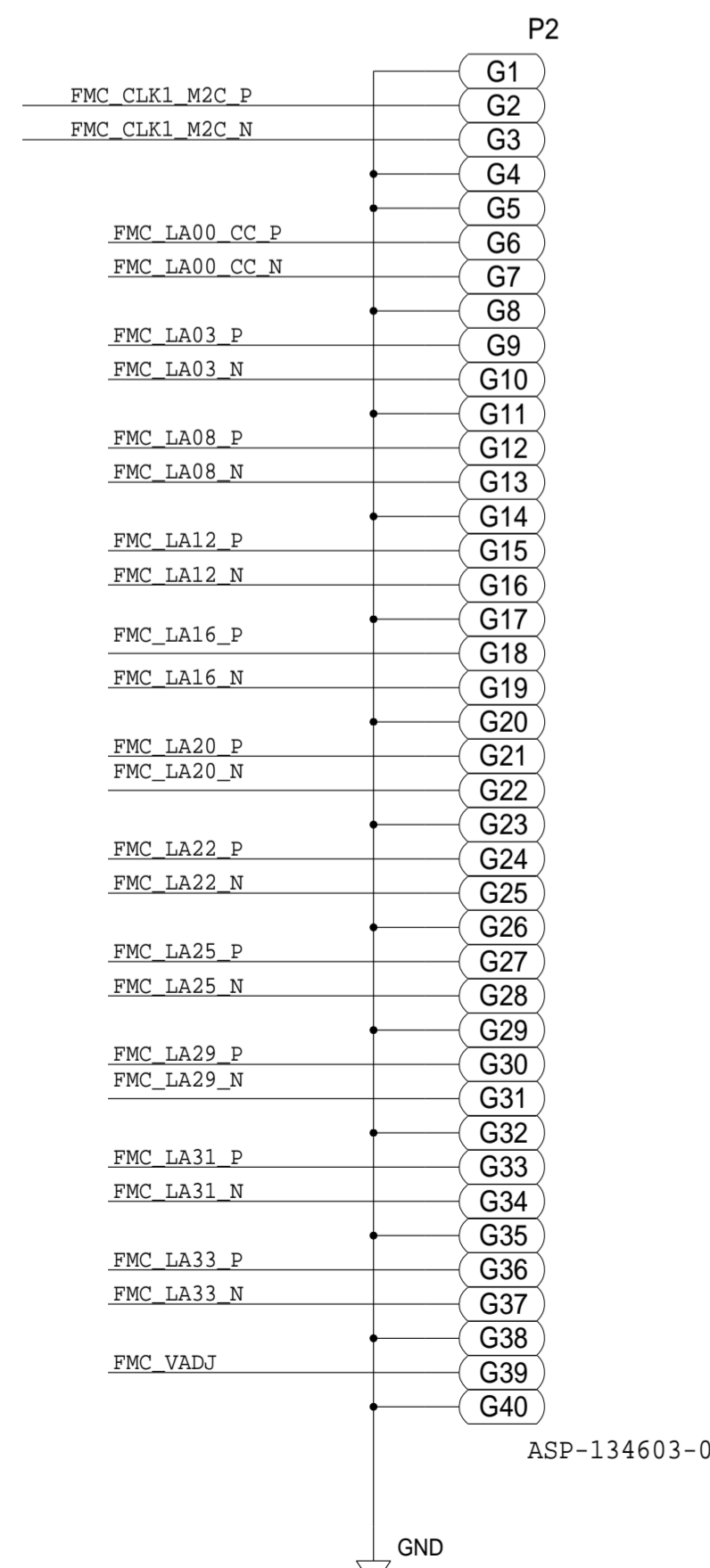
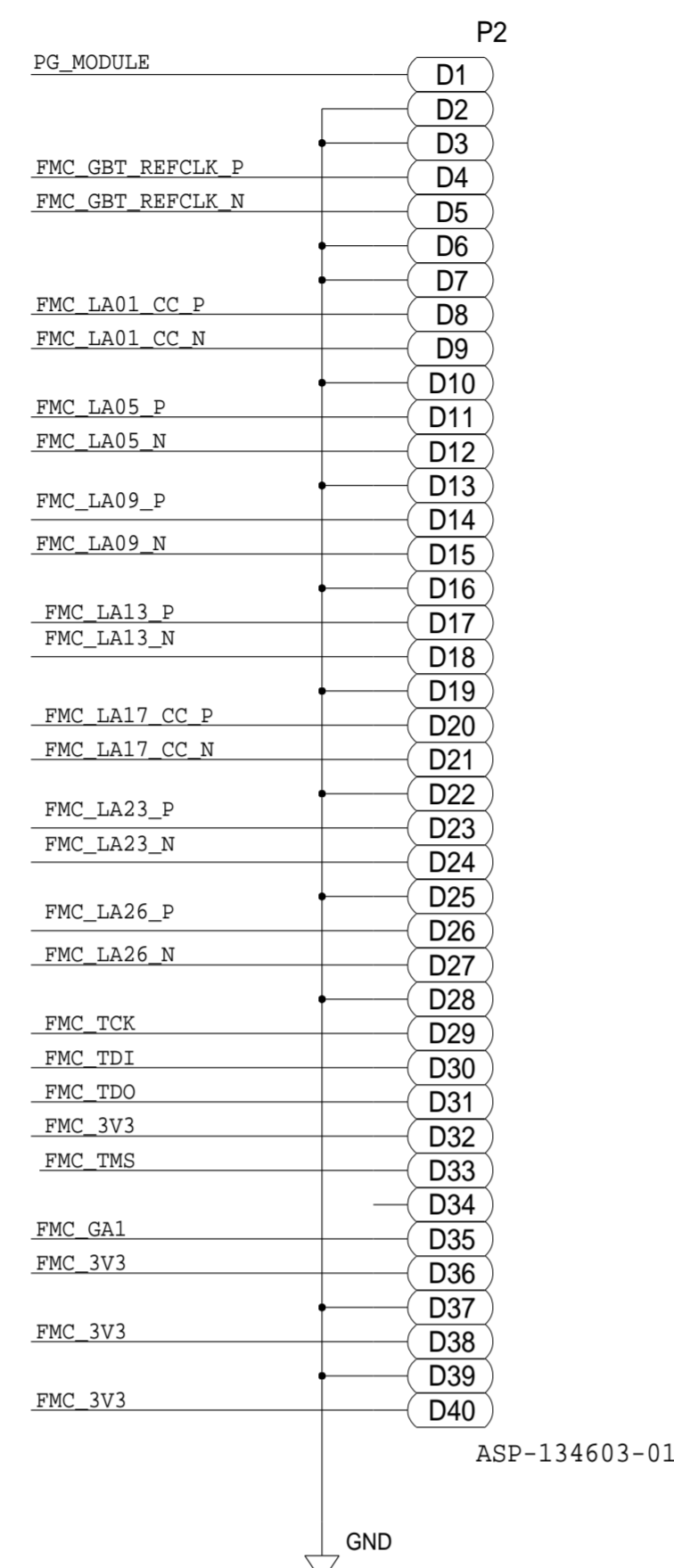
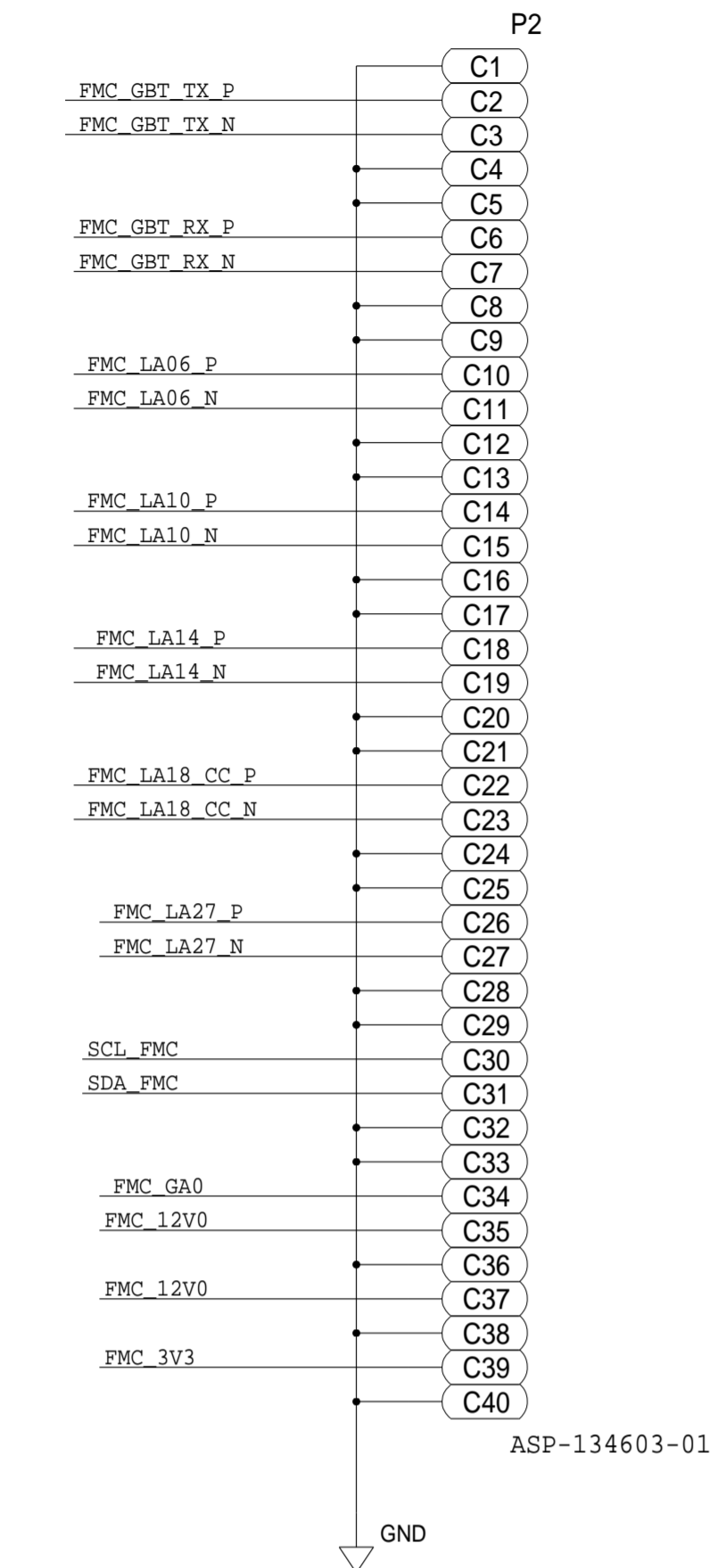
DEVICE	I2C ADDRESS	PAGE
FMC	???	3
RF BOARD	???	3
HDMI	0X72 / 0X7A	4
AUDIO	0X76	6
CAMERA	0XE0/0XE1	8
ETH EEPROM	0X50	9
VOLTAGE MONITOR	0X2F	11



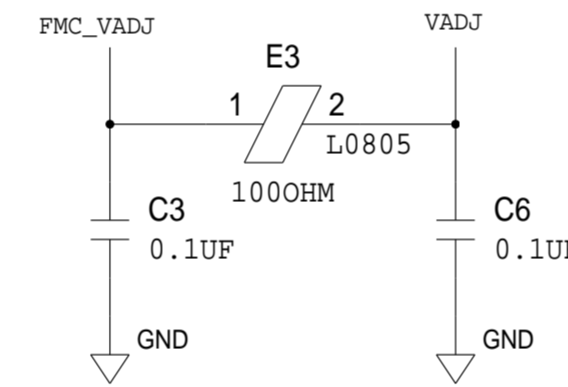
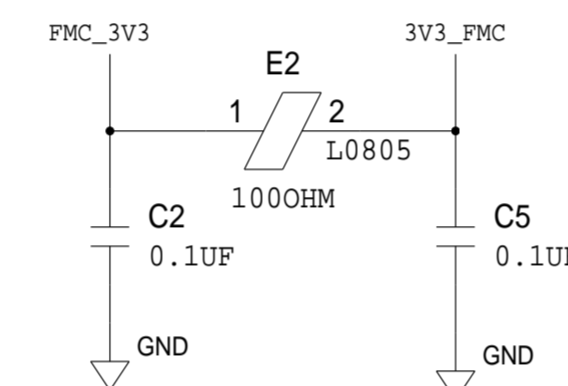
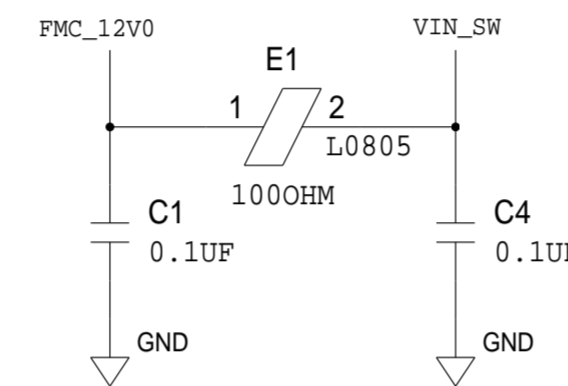
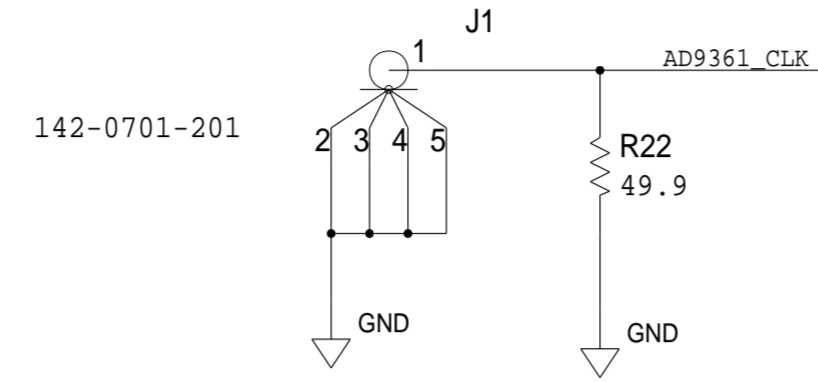
	<b>SCHEMATIC</b>		
	HW TYPE : Customer Evaluation Product(s) : AD9361 : N/A		
DESIGN VIEW <DESIGN_VIEW>	DRAWING NO. 02_039799	REV C	SIZE D
PTD ENGINEER <PTD_ENGINEER>	SCALE 1:1	SHEET 2 OF 12	SHEET 2 OF 12

REVISIONS			
REV	DESCRIPTION	DATE	APPROVED

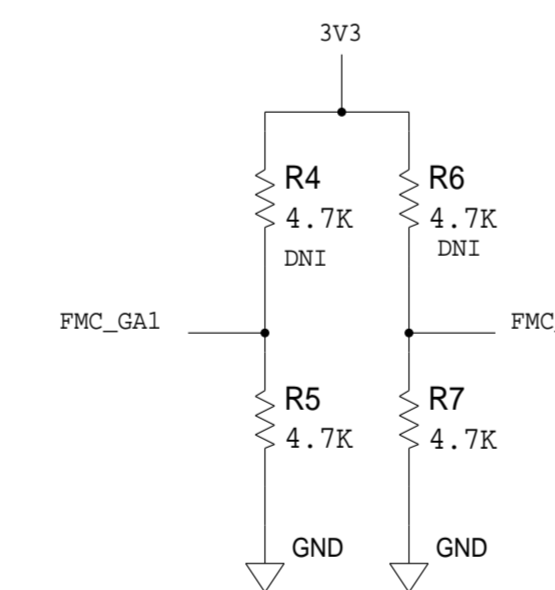
### FMC CONNECTOR



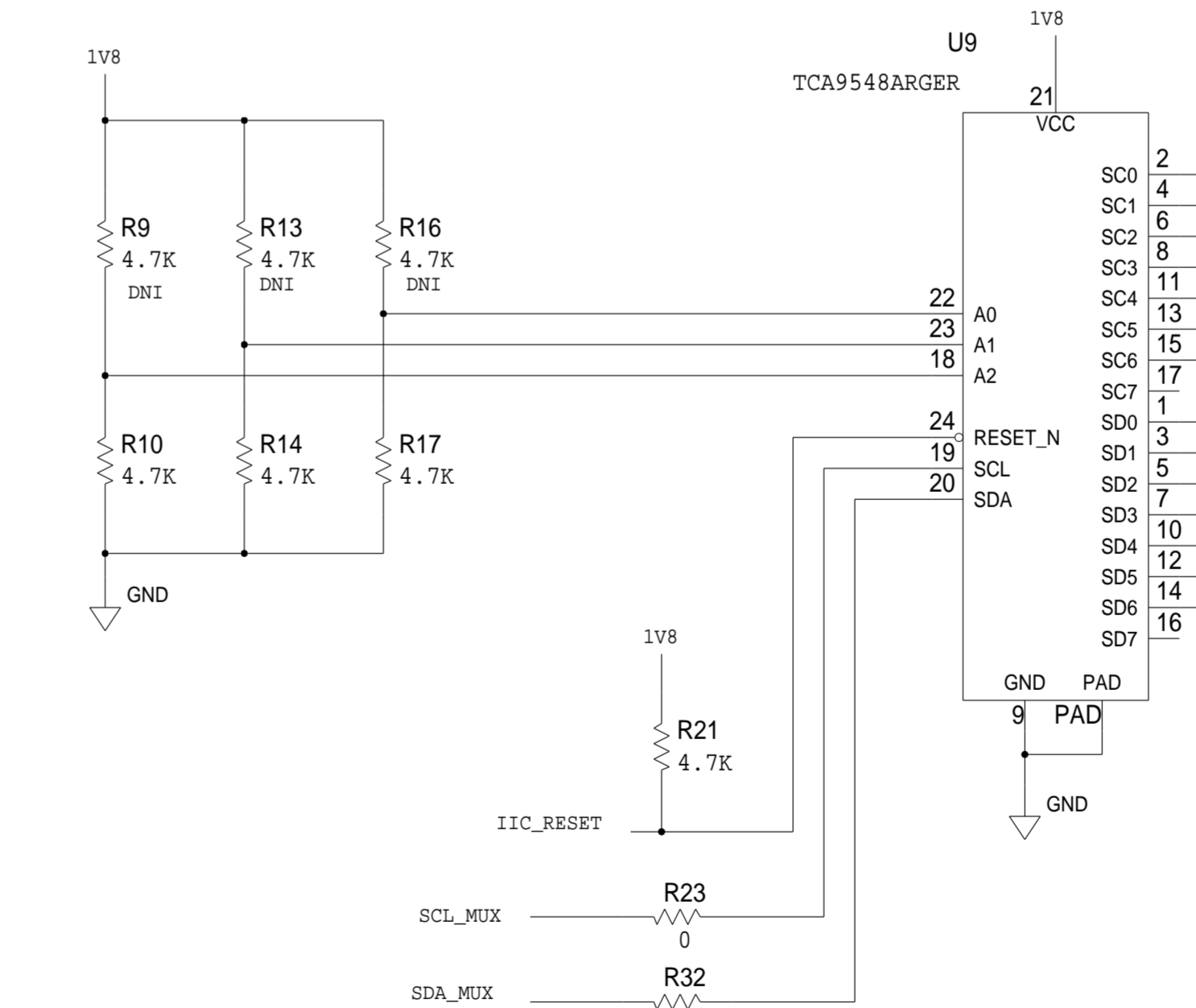
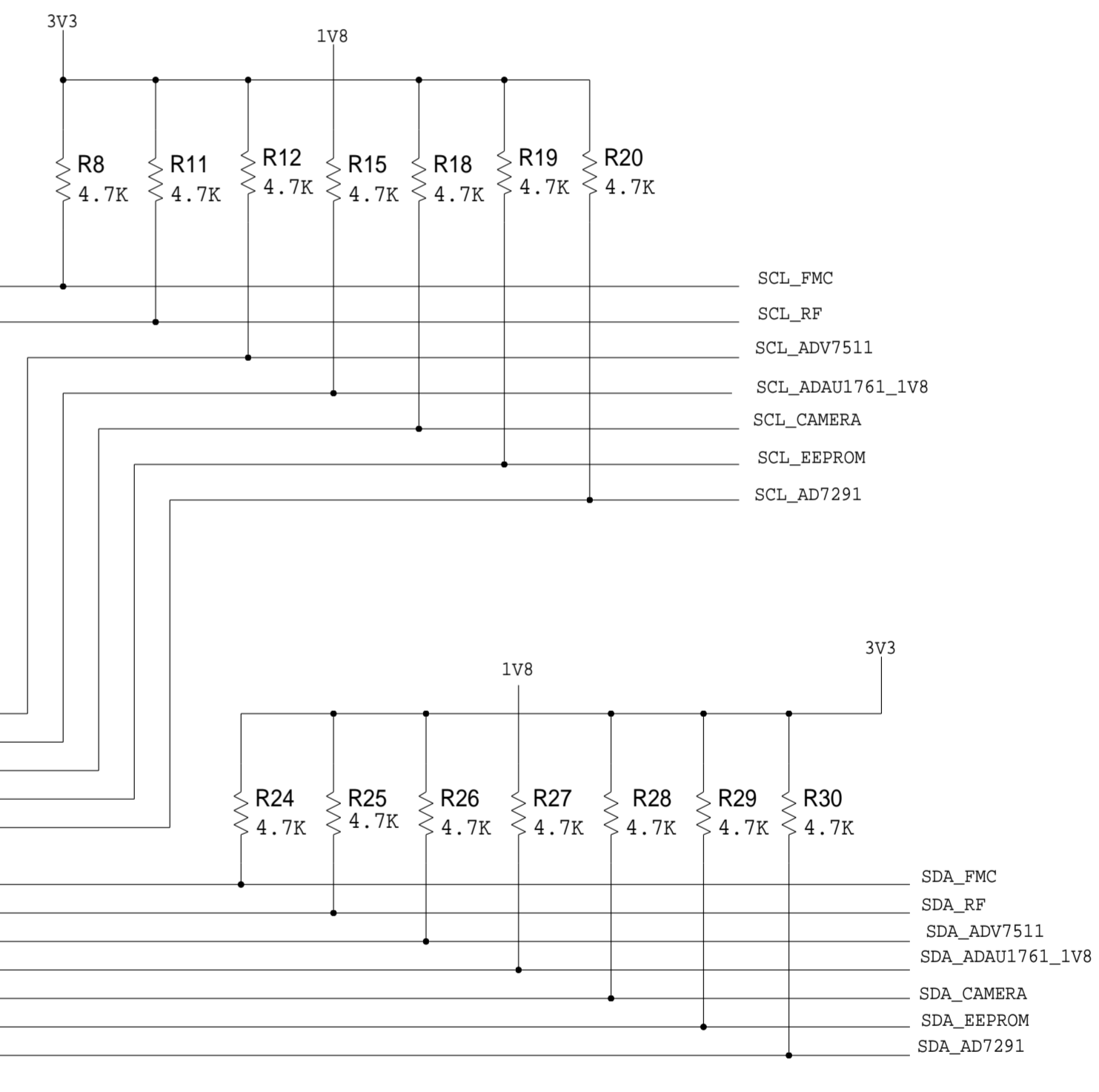
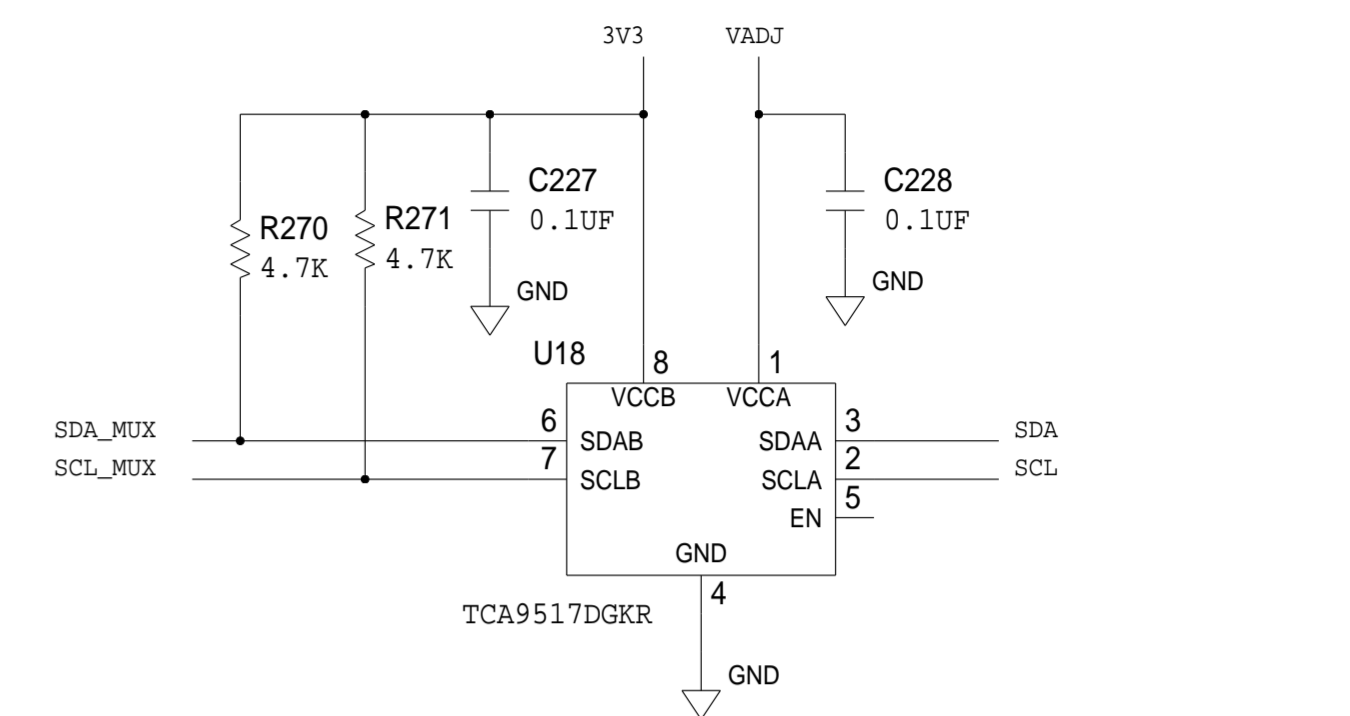
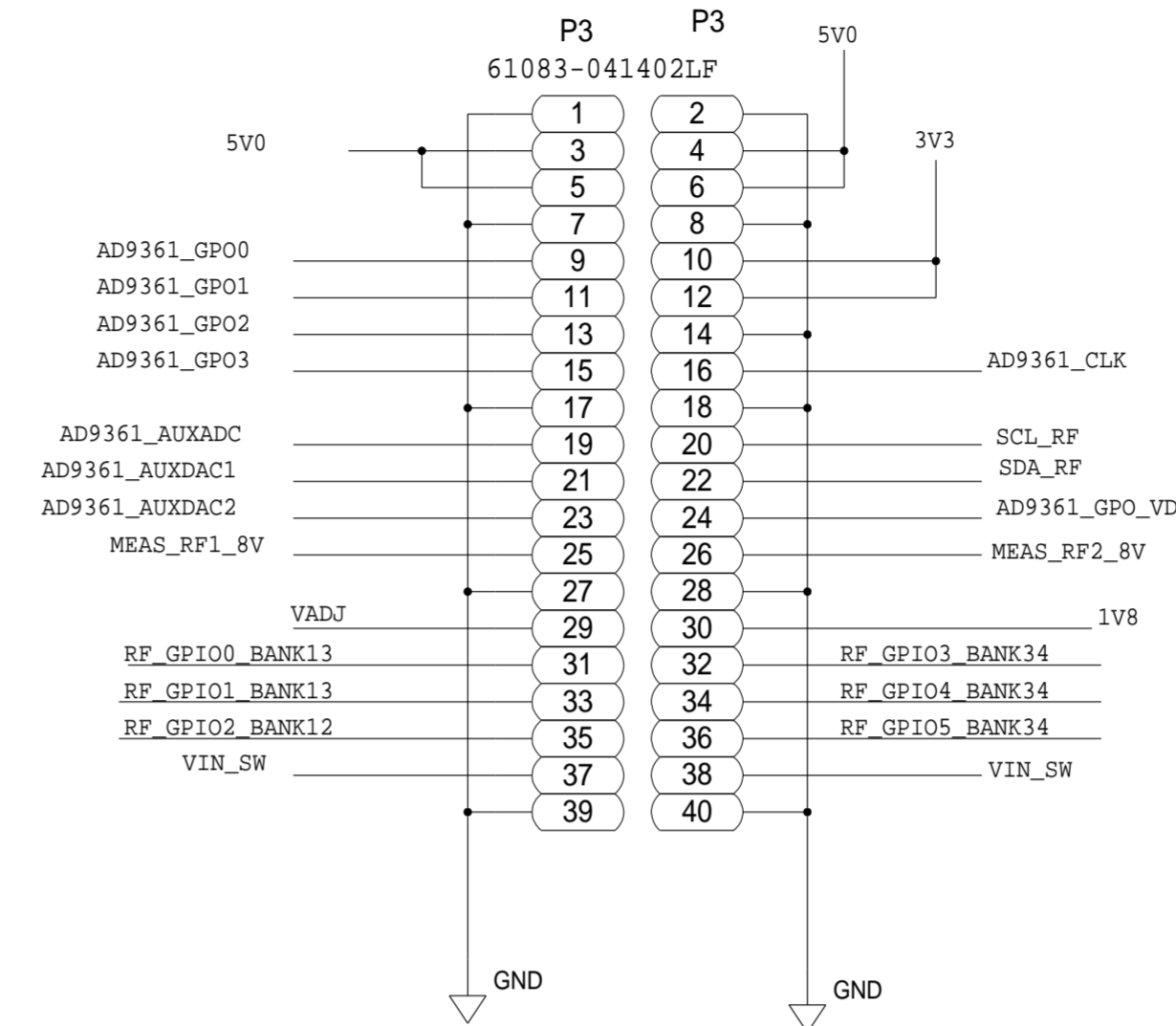
### RF MODULE CONNECTORS



### FMC GA[1:0] SELECT



### MATING CONNECTOR: 61082-041402LF



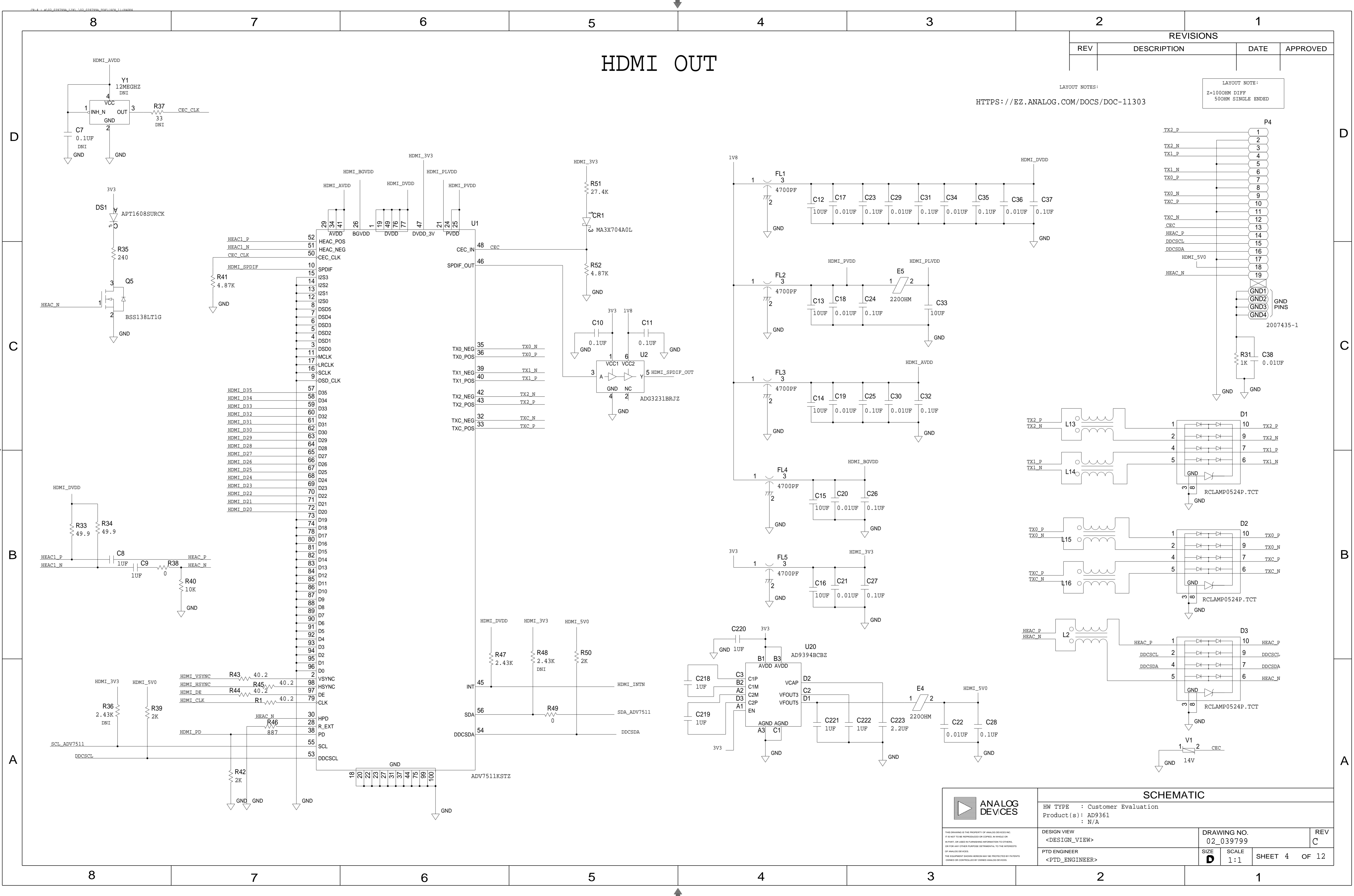
	<b>SCHEMATIC</b>		
	HW TYPE : Customer Evaluation Product(s) : Ad9361 : N/A		
	DESIGN VIEW <DESIGN_VIEW>	DRAWING NO. 02_039799	REV C
	PTD ENGINEER <PTD_ENGINEER>	SIZE D	SCALE 1:1
		SHEET 3 OF 12	

# HDMI OUT

REVISIONS			
REV	DESCRIPTION	DATE	APPROVED

LAYOUT NOTES:  
[HTTPS://EZ.ANALOG.COM/DOCS/DOC-11303](https://ez.analog.com/docs/doc-11303)

LAYOUT NOTE:  
 Z=100OHM DIFF  
 50OHM SINGLE ENDED

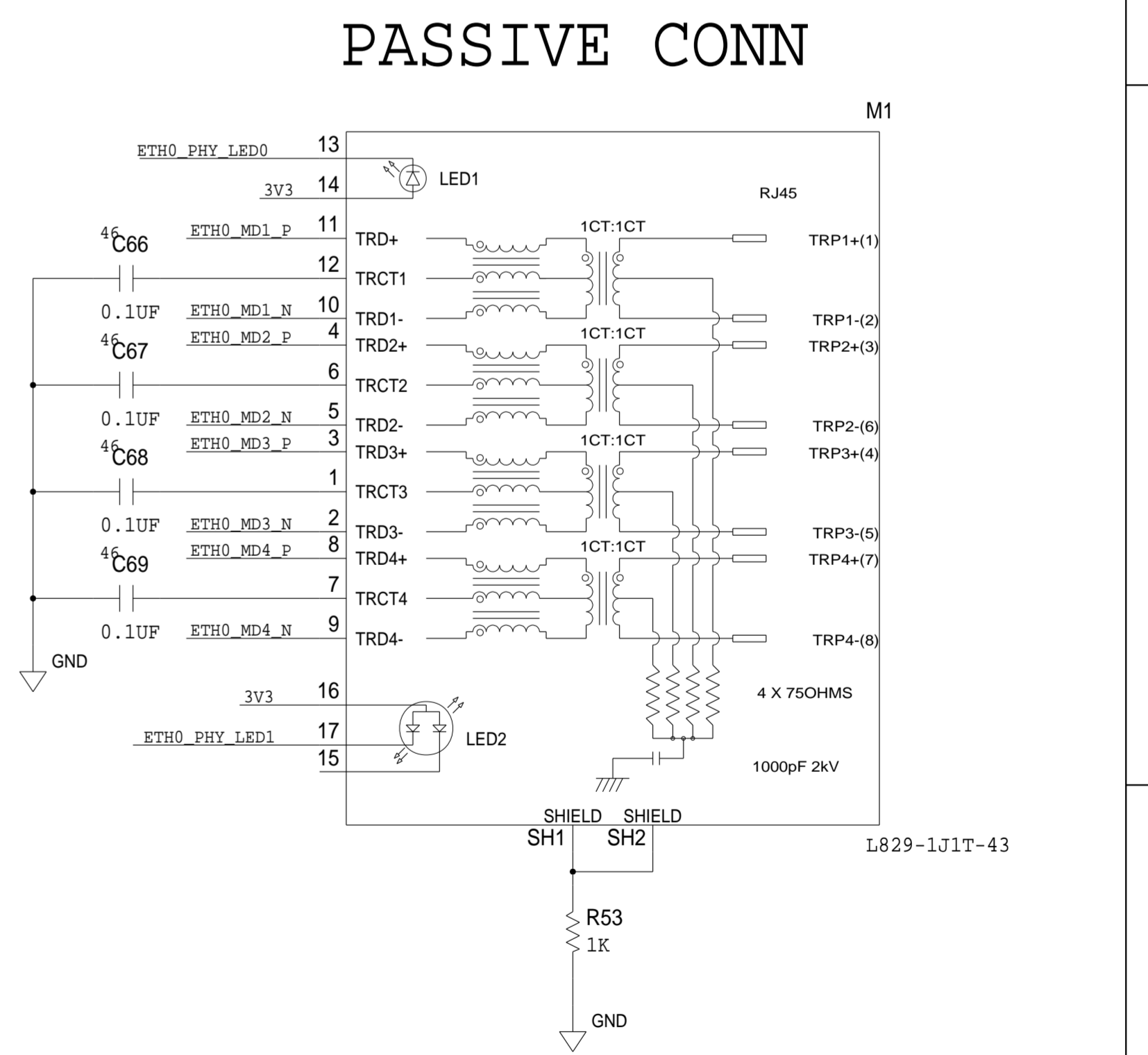
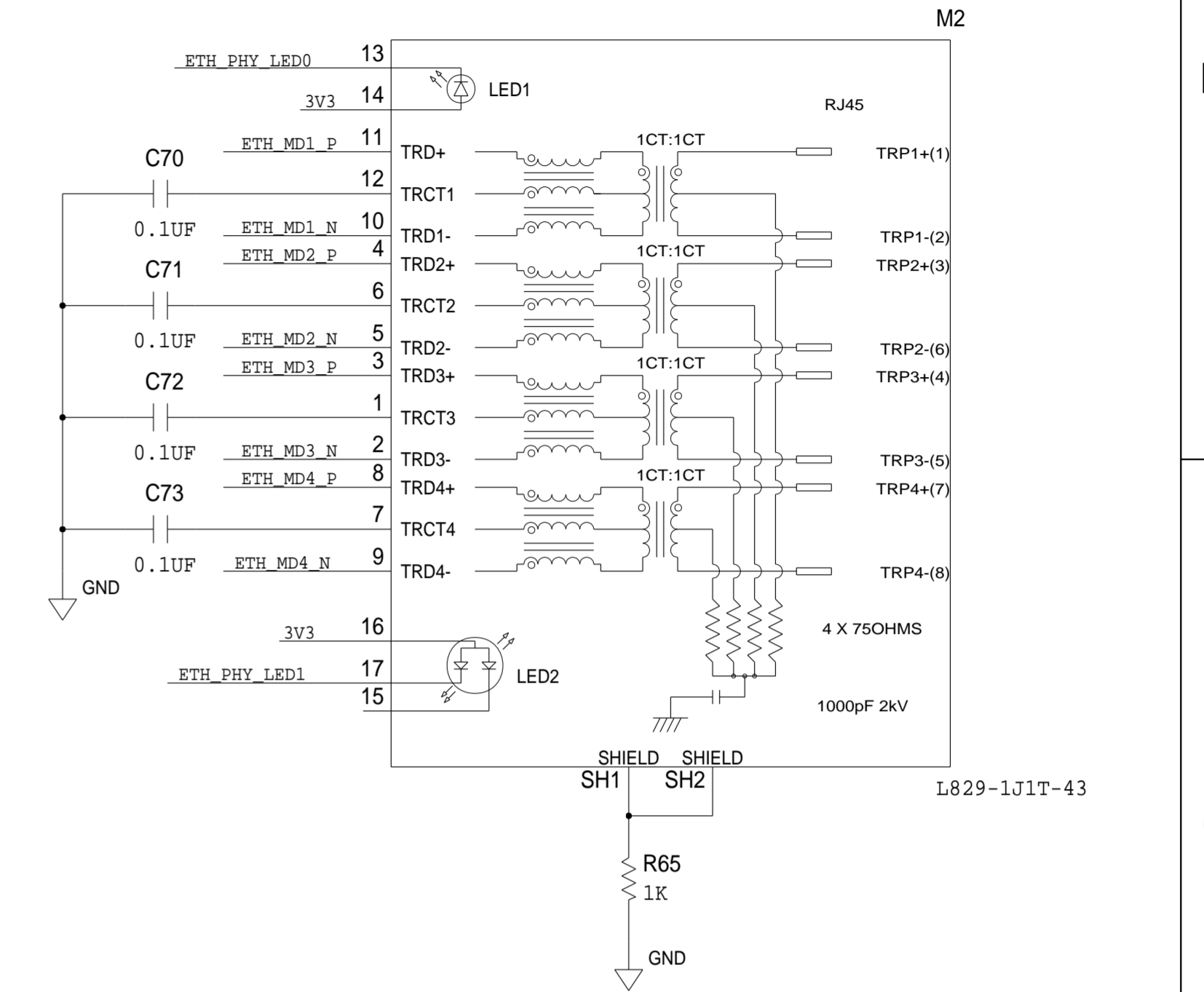
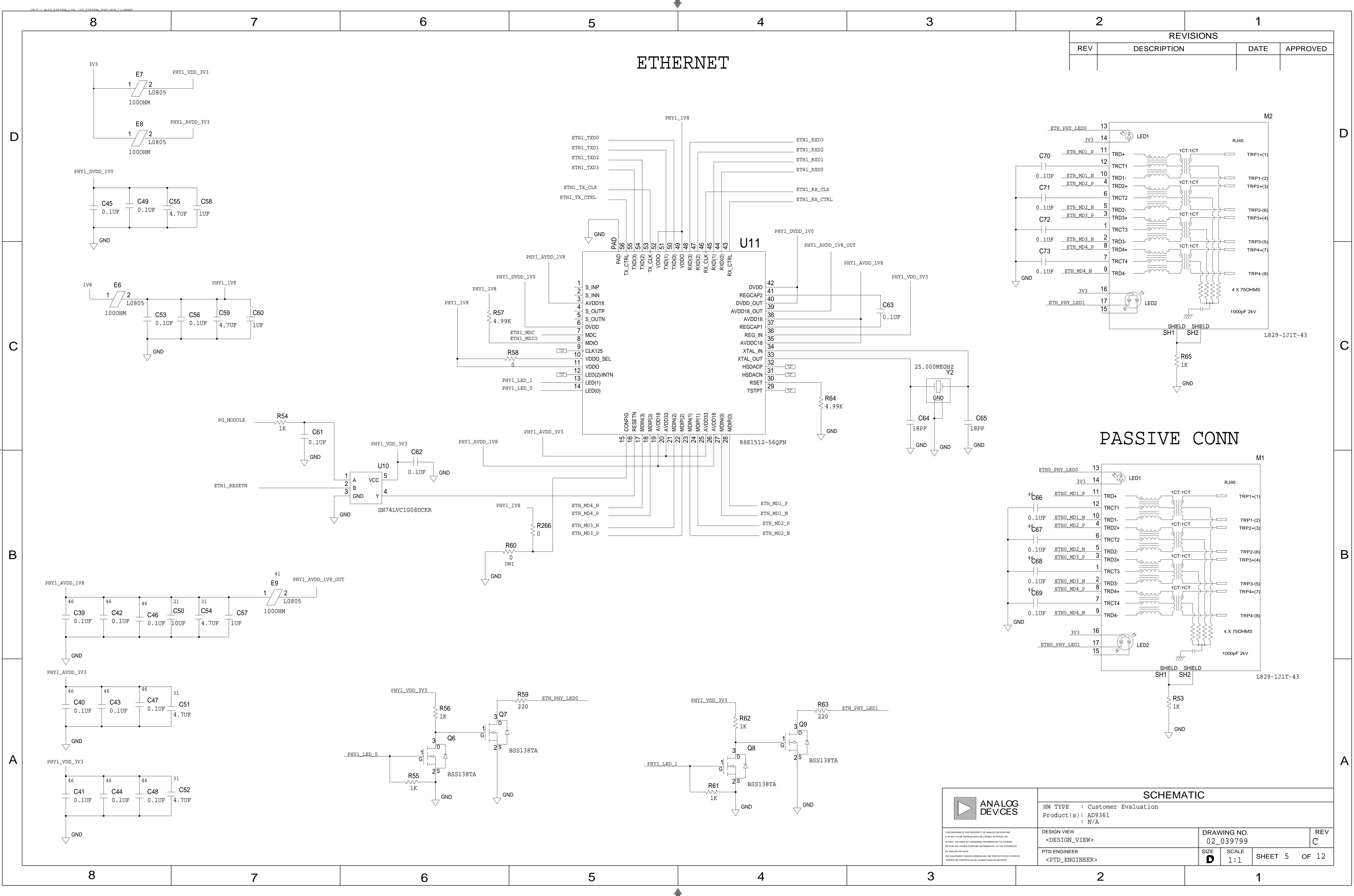


	<b>SCHEMATIC</b>		
	HW TYPE : Customer Evaluation Product(s) : AD9361 : N/A		
DESIGN VIEW <DESIGN_VIEW>	DRAWING NO. 02_039799	REV C	
PTD ENGINEER <PTD_ENGINEER>	SIZE D	SCALE 1:1	SHEET 4 OF 12

THIS DRAWING IS THE PROPERTY OF ANALOG DEVICES INC. IT IS NOT TO BE REPRODUCED OR COPIED, IN WHOLE OR IN PART, OR USED IN ANY MANNER WITHOUT THE WRITTEN PERMISSION OF ANALOG DEVICES. THE EQUIPMENT SHOWN HEREIN MAY BE PROTECTED BY PATENTS OWNED OR CONTROLLED BY ANALOG DEVICES.

# ETHERNET

REVISIONS			
REV	DESCRIPTION	DATE	APPROVED

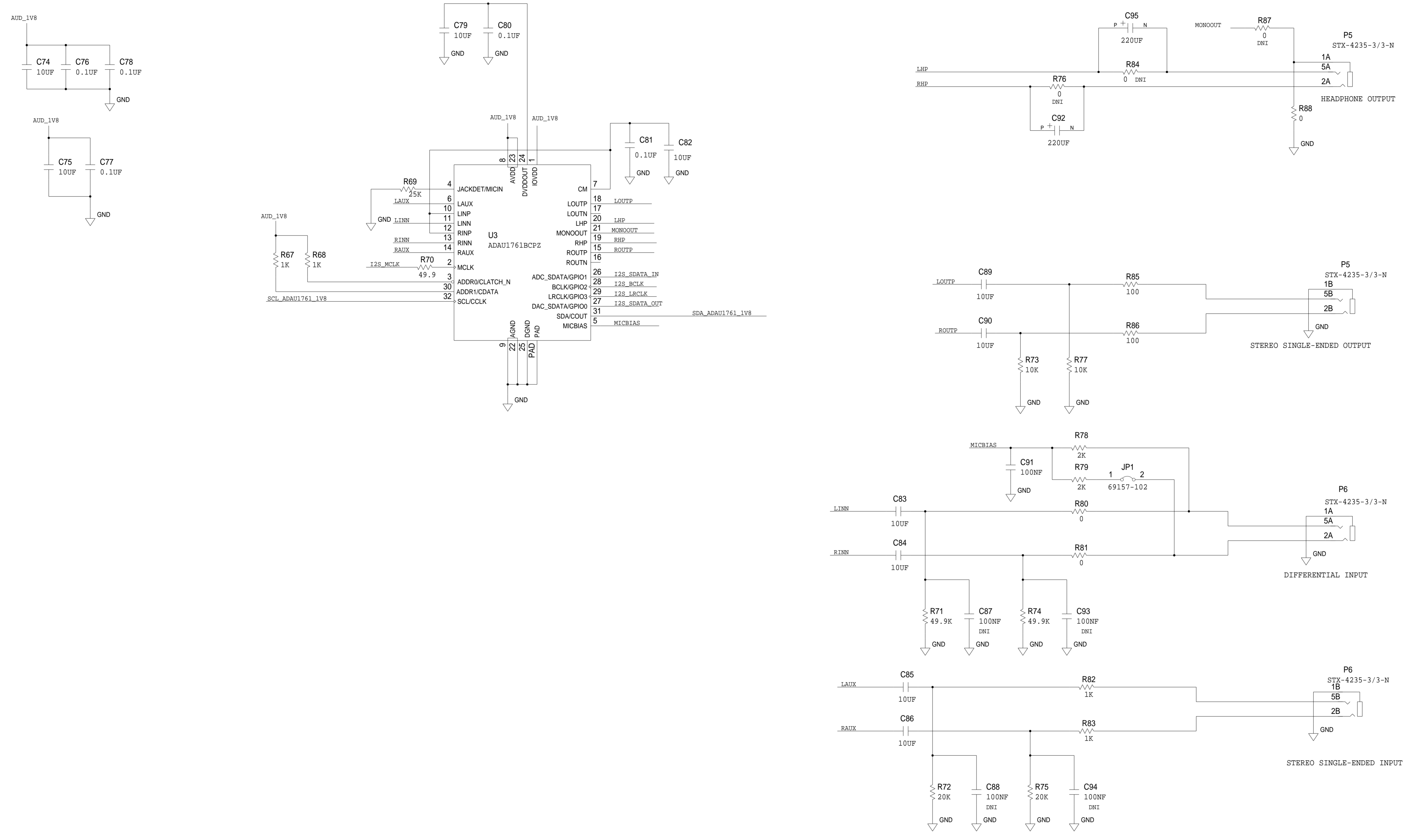


## PASSIVE CONN

SCHEMATIC			
		HW TYPE : Customer Evaluation Product(s) : AD9361 : N/A	
DESIGN VIEW	<DESIGN_VIEW>	DRAWING NO.	02_039799
PTD ENGINEER	<PTD_ENGINEER>	REV	C
SIZE	D	SCALE	1:1
SHEET 5		OF 12	

# AUDIO CODEC

REVISIONS			
REV	DESCRIPTION	DATE	APPROVED

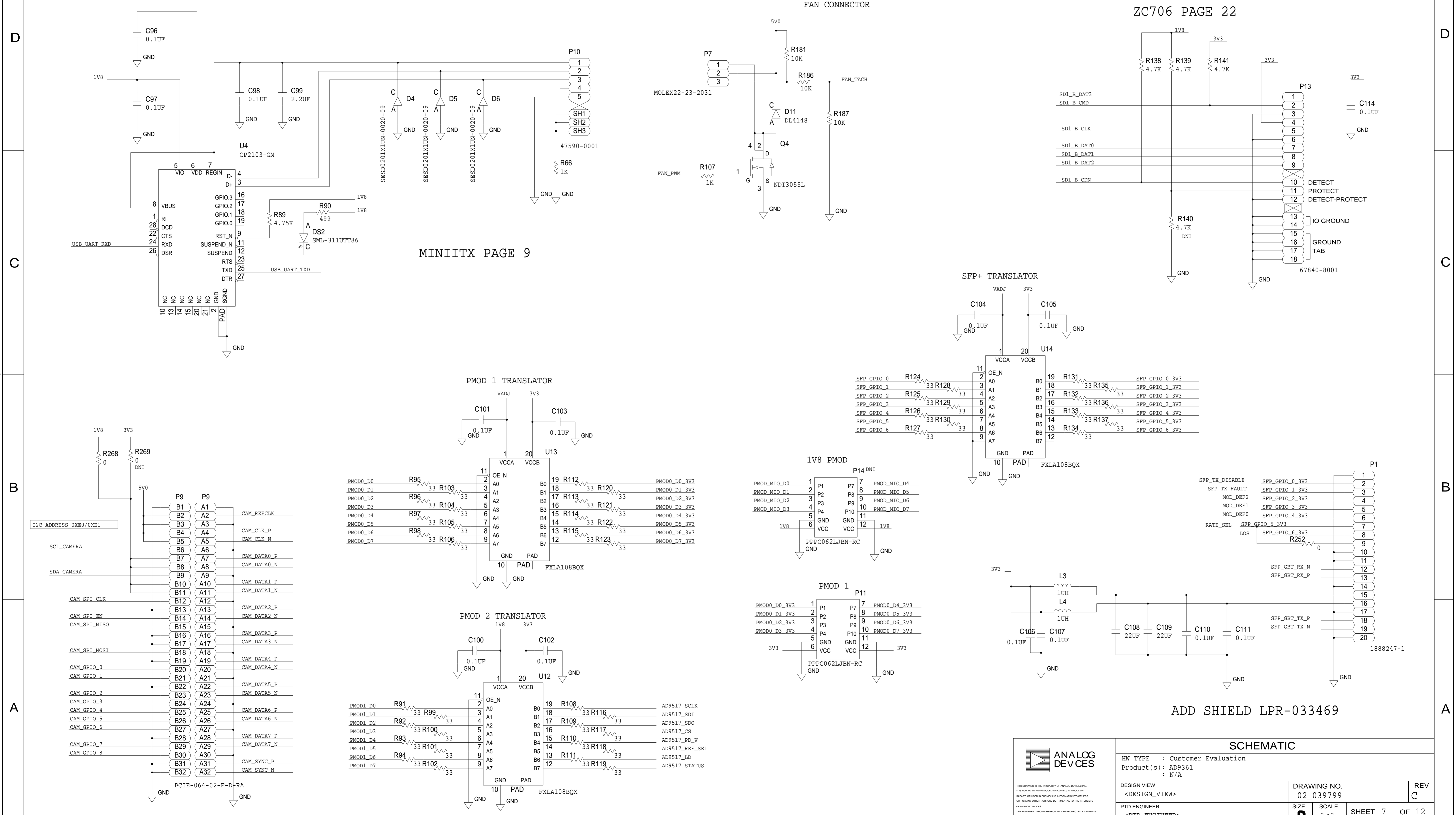


	<b>SCHEMATIC</b>		
	HW TYPE : Customer Evaluation Product(s) : AD9361 : N/A		
DESIGN VIEW <DESIGN_VIEW>	DRAWING NO. 02_039799	REV C	
PTD ENGINEER <PTD_ENGINEER>	SIZE D	SCALE 1:1	SHEET 6 OF 12

THIS DRAWING IS THE PROPERTY OF ANALOG DEVICES INC. IT IS NOT TO BE REPRODUCED OR COPIED, IN WHOLE OR IN PART, OR USED IN FURNISHING INFORMATION TO OTHERS, OR FOR ANY OTHER PURPOSE DETRIMENTAL TO THE INTERESTS OF ANALOG DEVICES. THE EQUIPMENT SHOWN HEREIN MAY BE PROTECTED BY PATENTS OWNED OR CONTROLLED BY ANALOG DEVICES.

# USB -> SERIAL, SD CARD, SPF+, CAMERA, PMOD

REVISIONS			
REV	DESCRIPTION	DATE	APPROVED

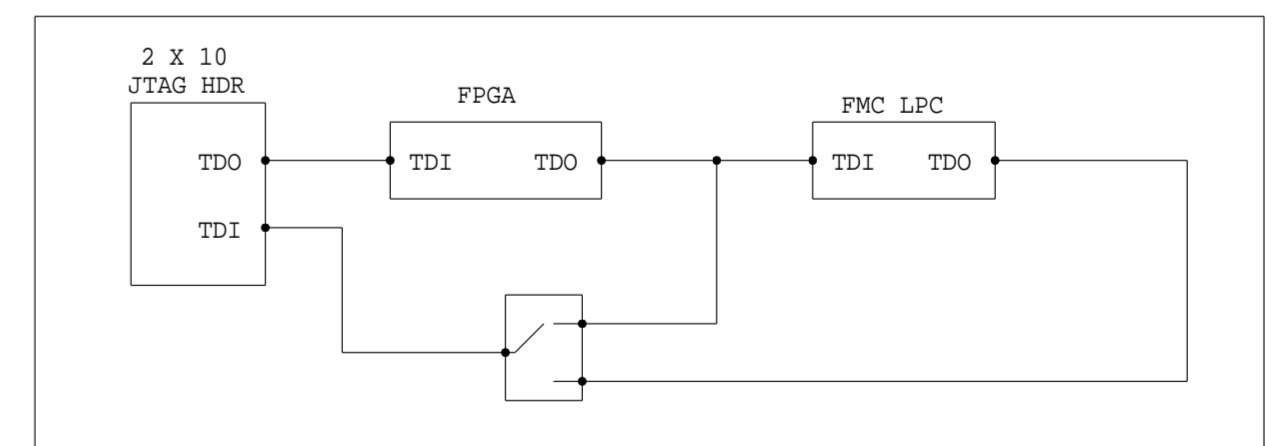
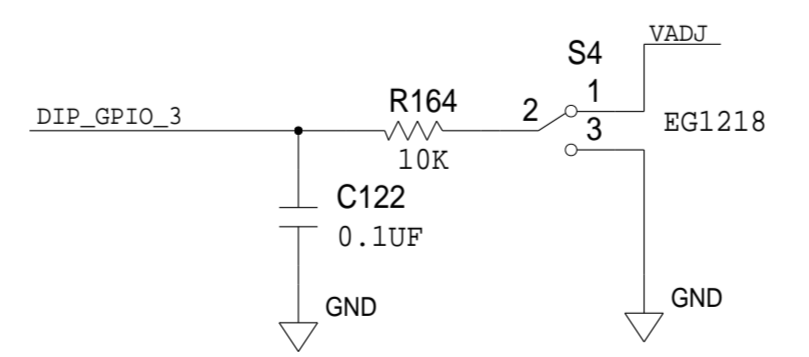
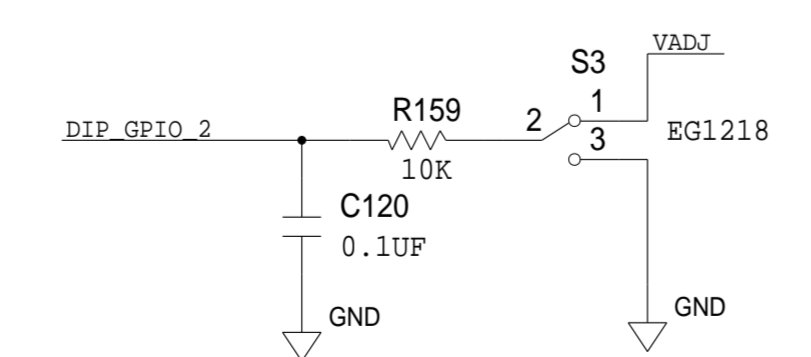
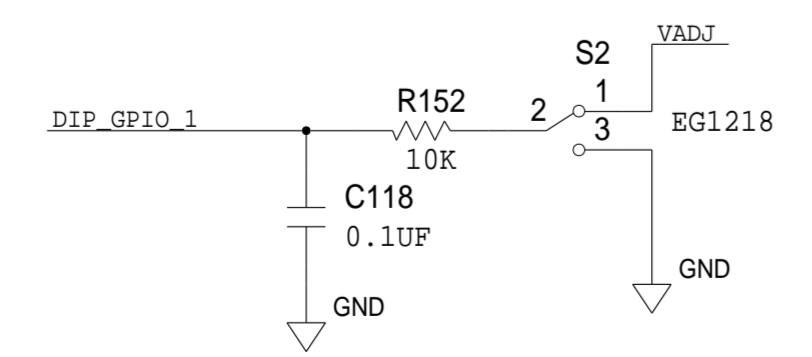
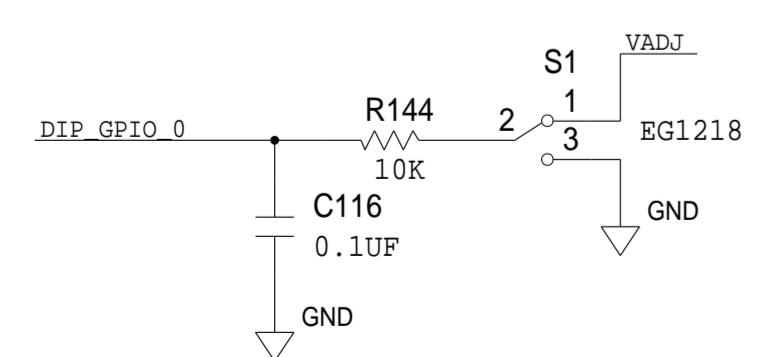
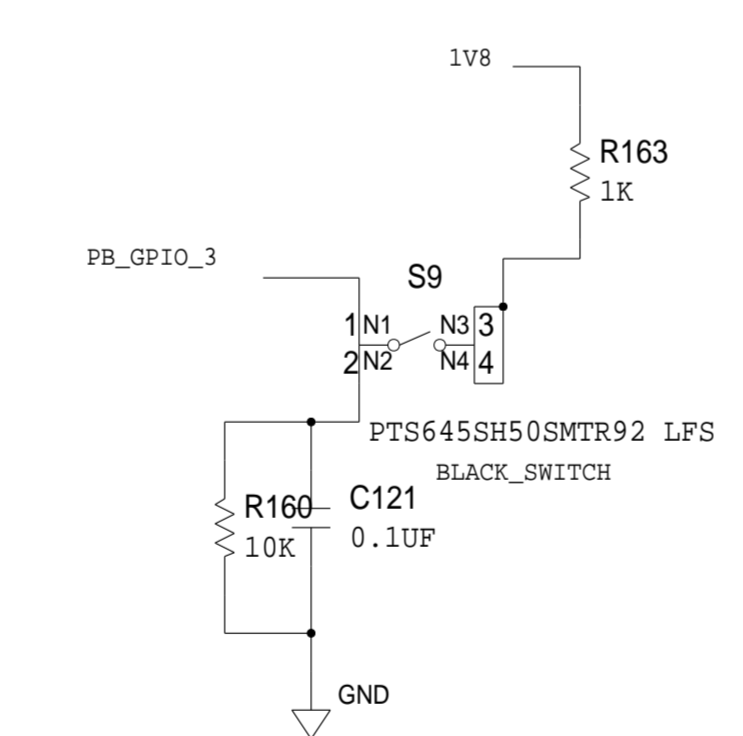
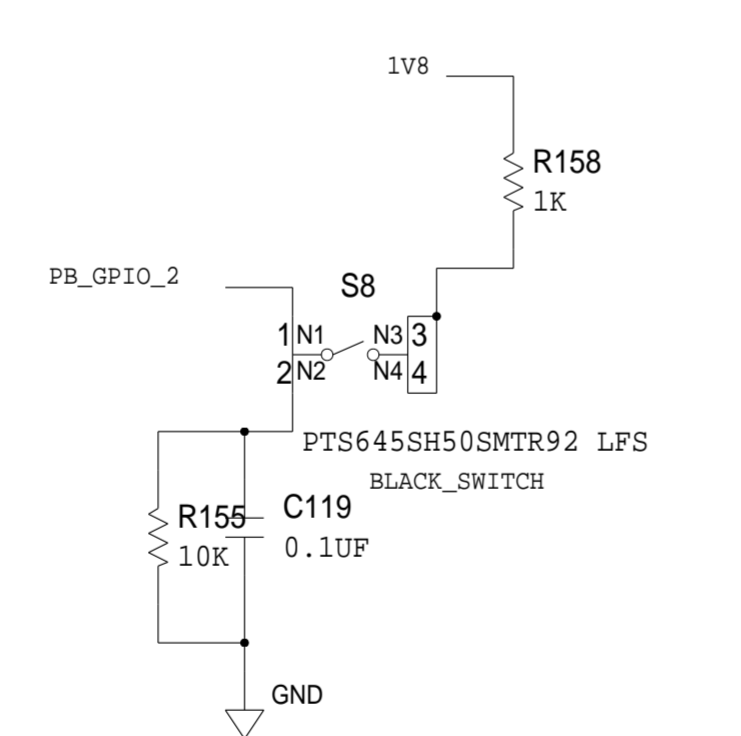
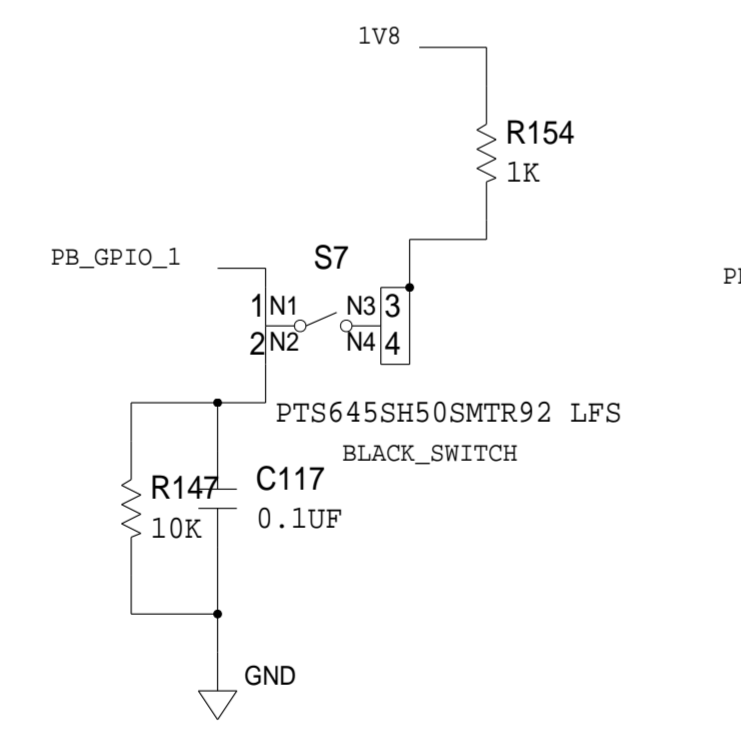
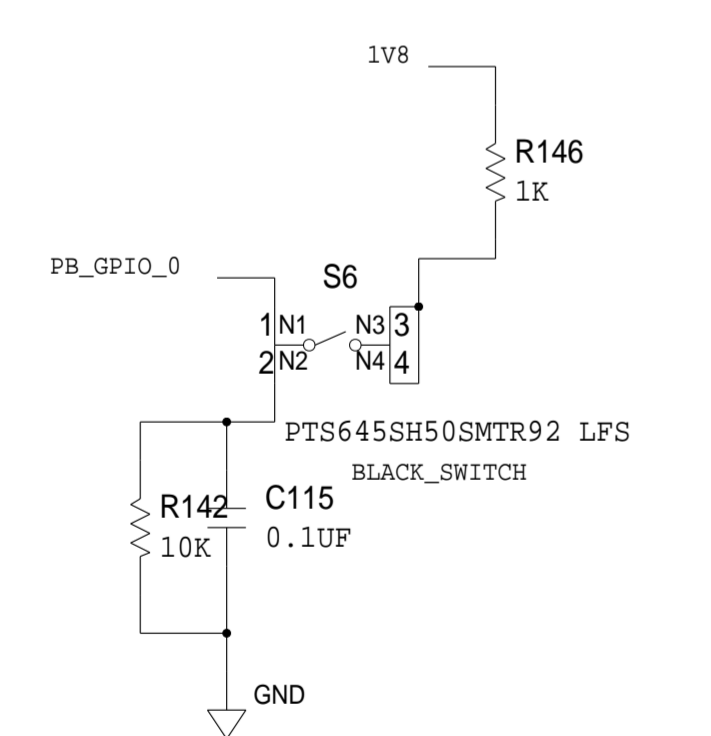
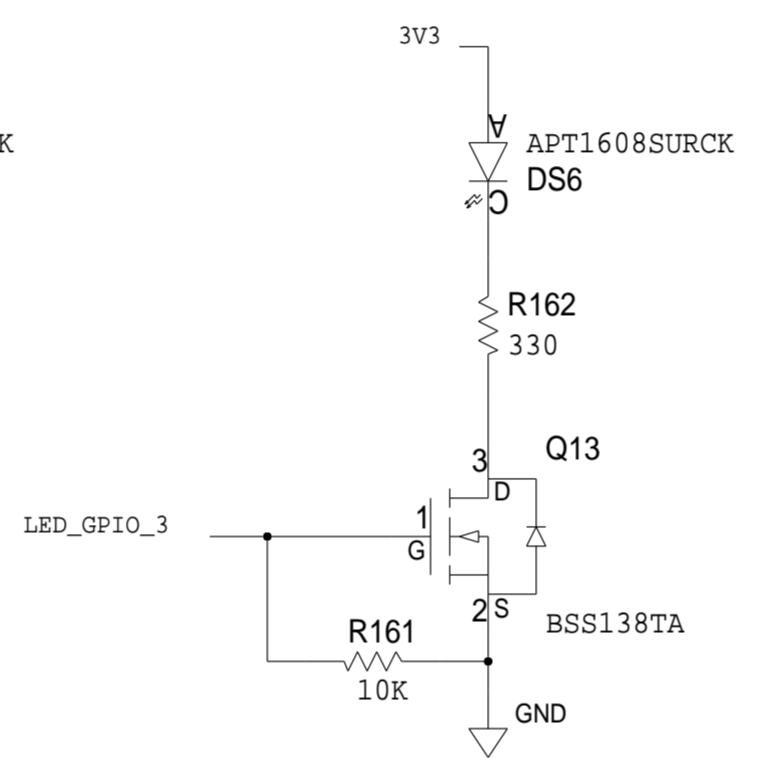
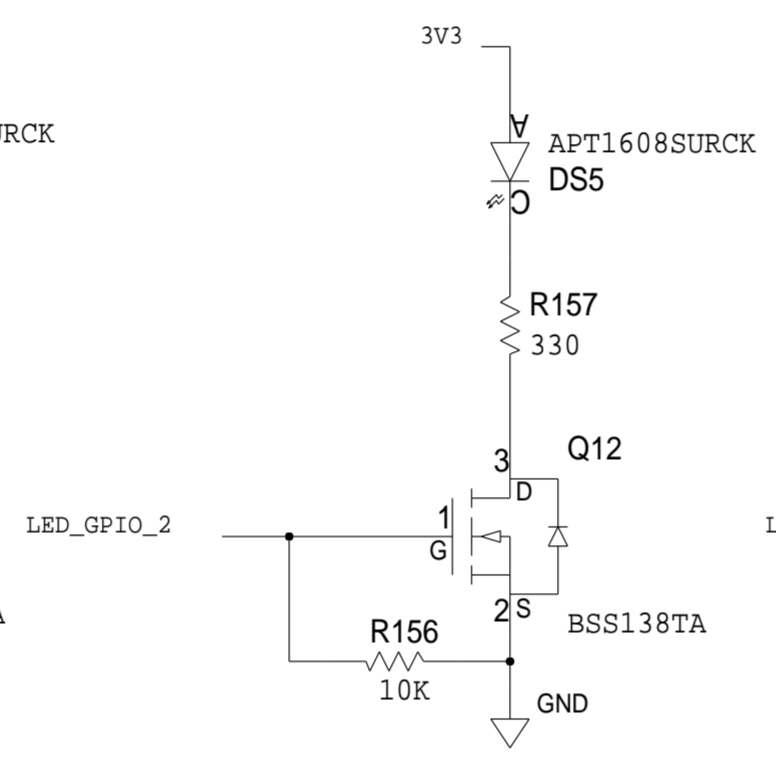
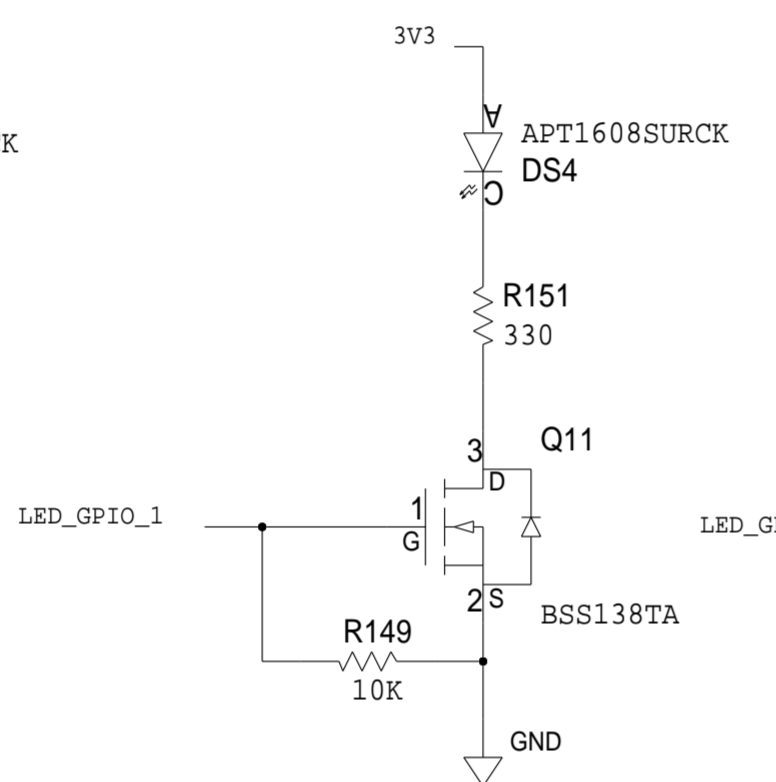
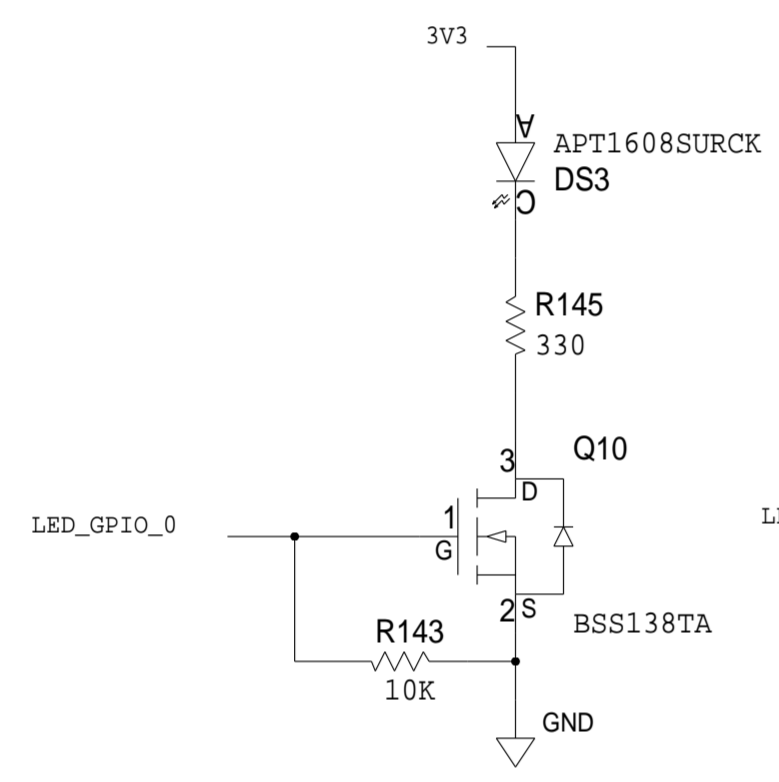
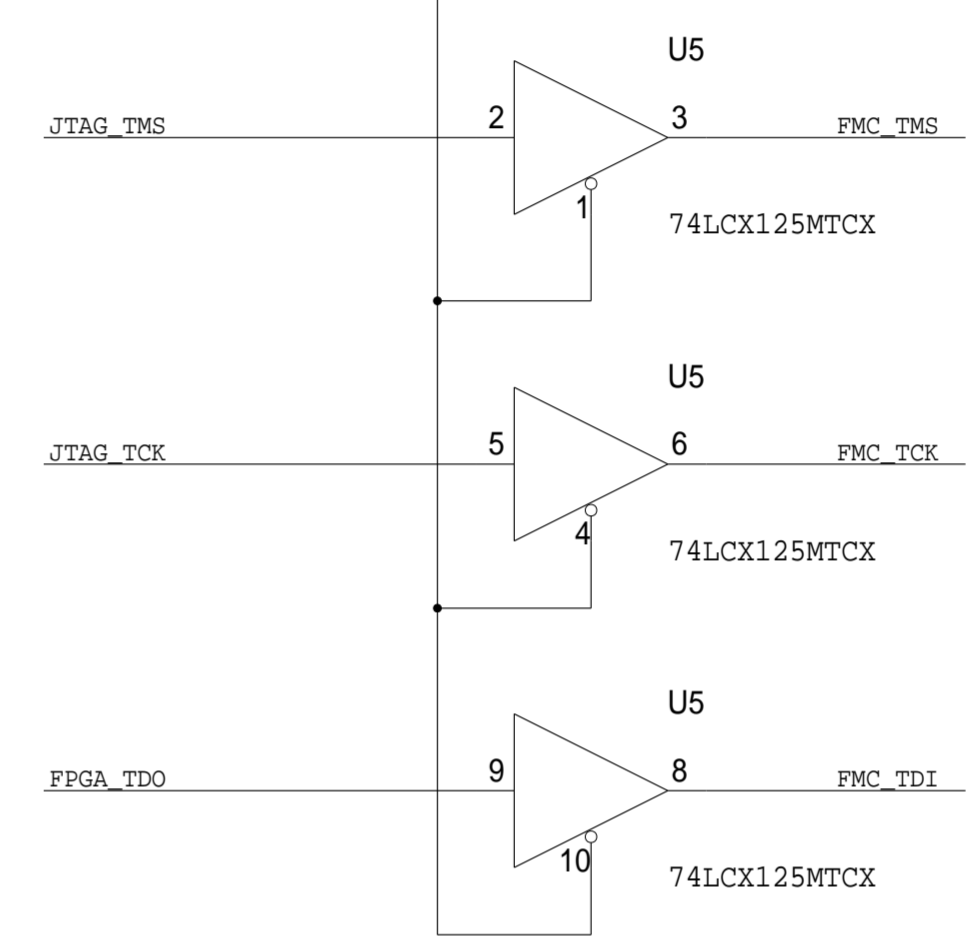
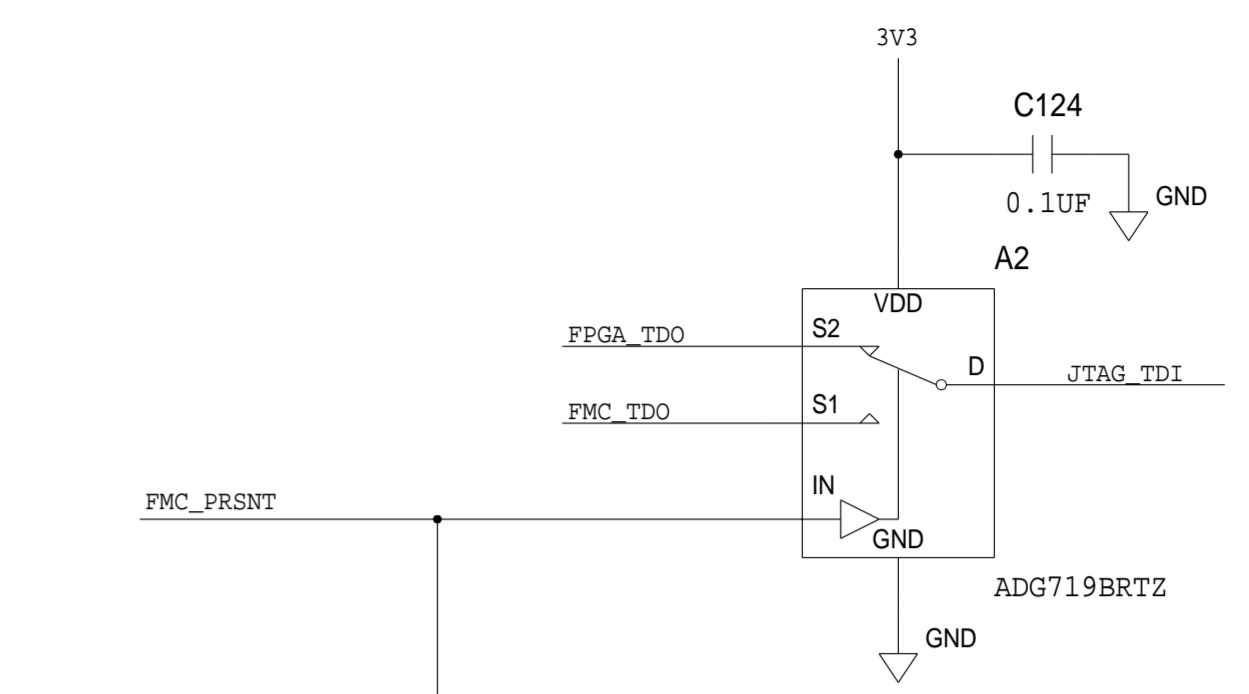
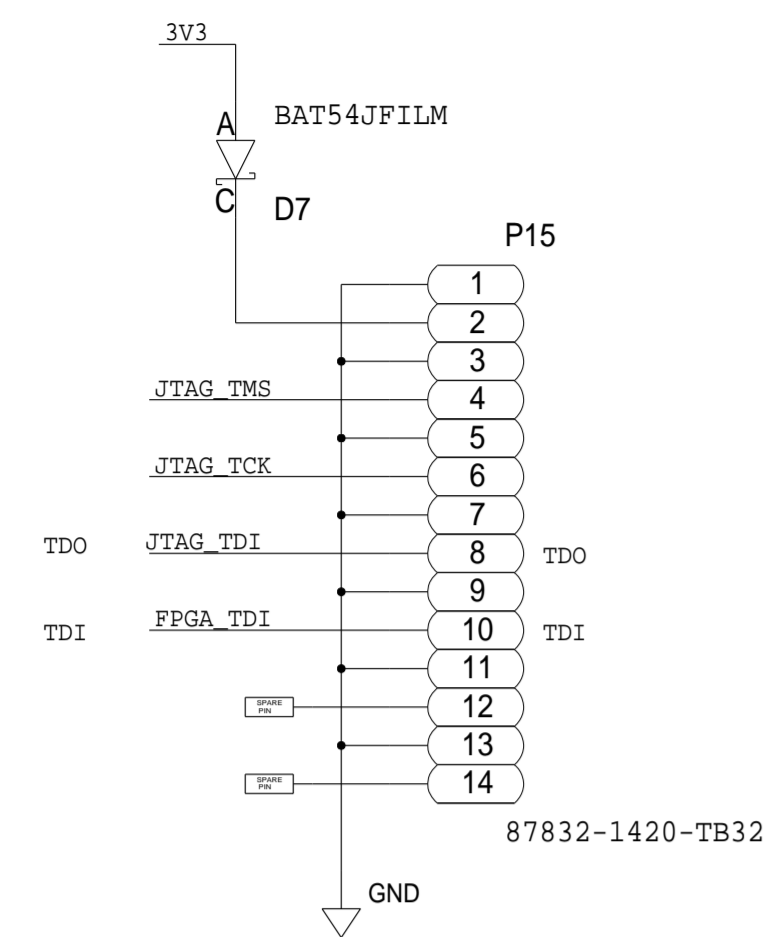


ADD SHIELD LPR-033469

	<b>SCHEMATIC</b>		
	HW TYPE : Customer Evaluation Product(s) : AD9361 : N/A		
DESIGN VIEW <DESIGN_VIEW>	DRAWING NO. 02_039799	REV C	SIZE D
PTD ENGINEER <PTD_ENGINEER>	SCALE 1:1	SHEET 7 OF 12	REV C

# JTAG, PUSHBUTTONS, SLIDE SWITCHES, LEDS

REVISIONS			
REV	DESCRIPTION	DATE	APPROVED

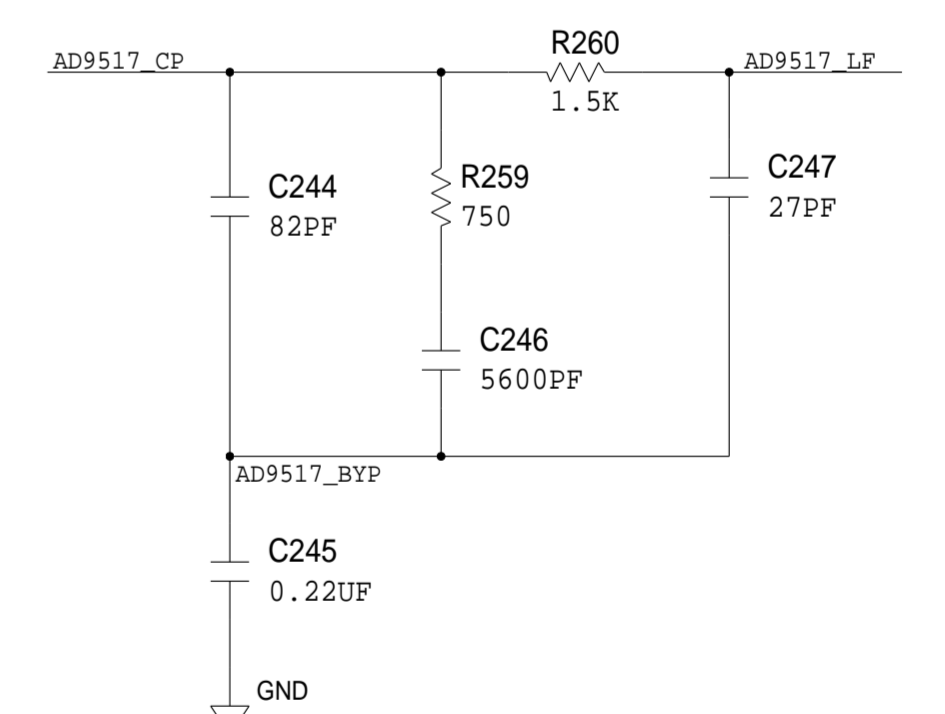
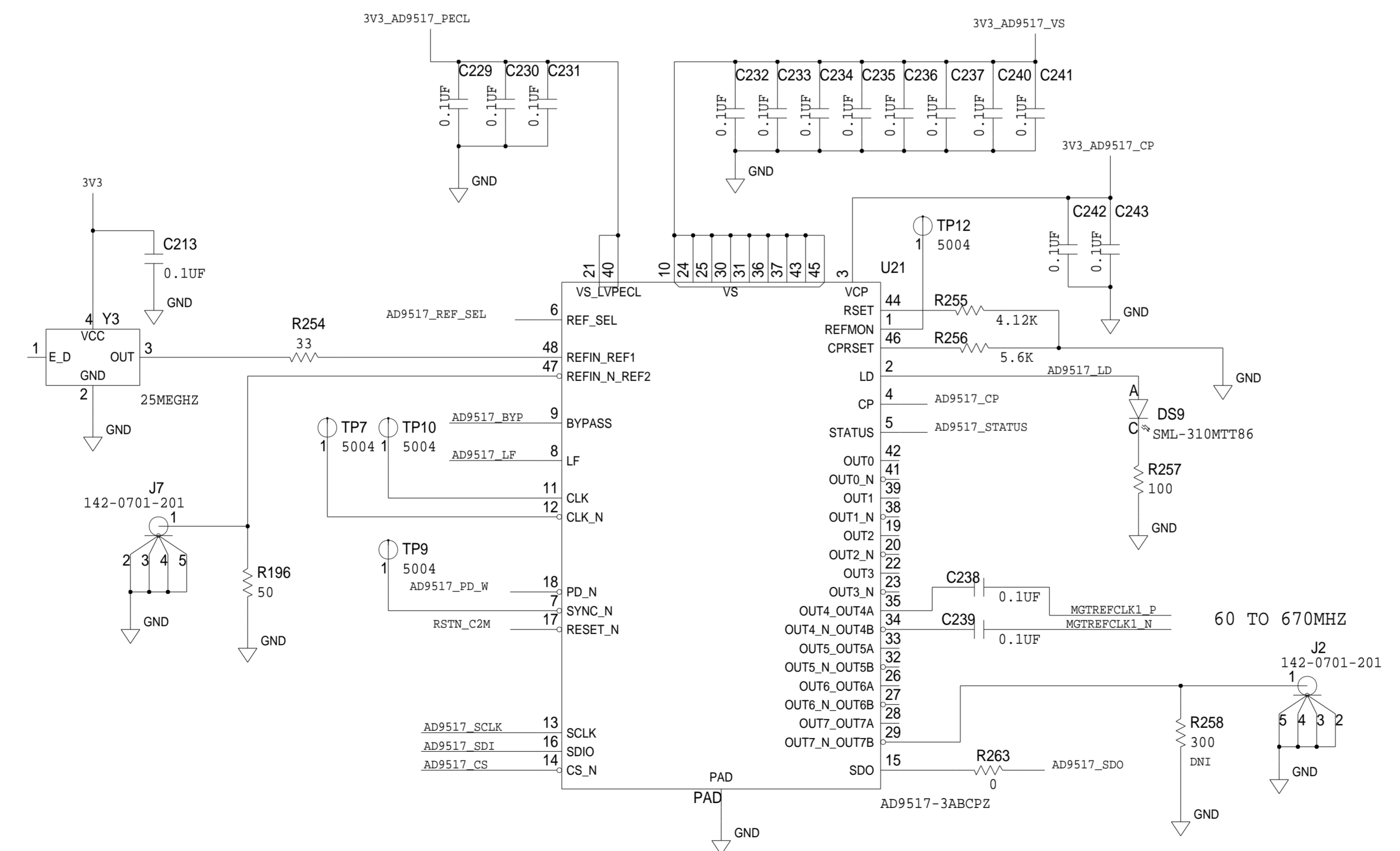
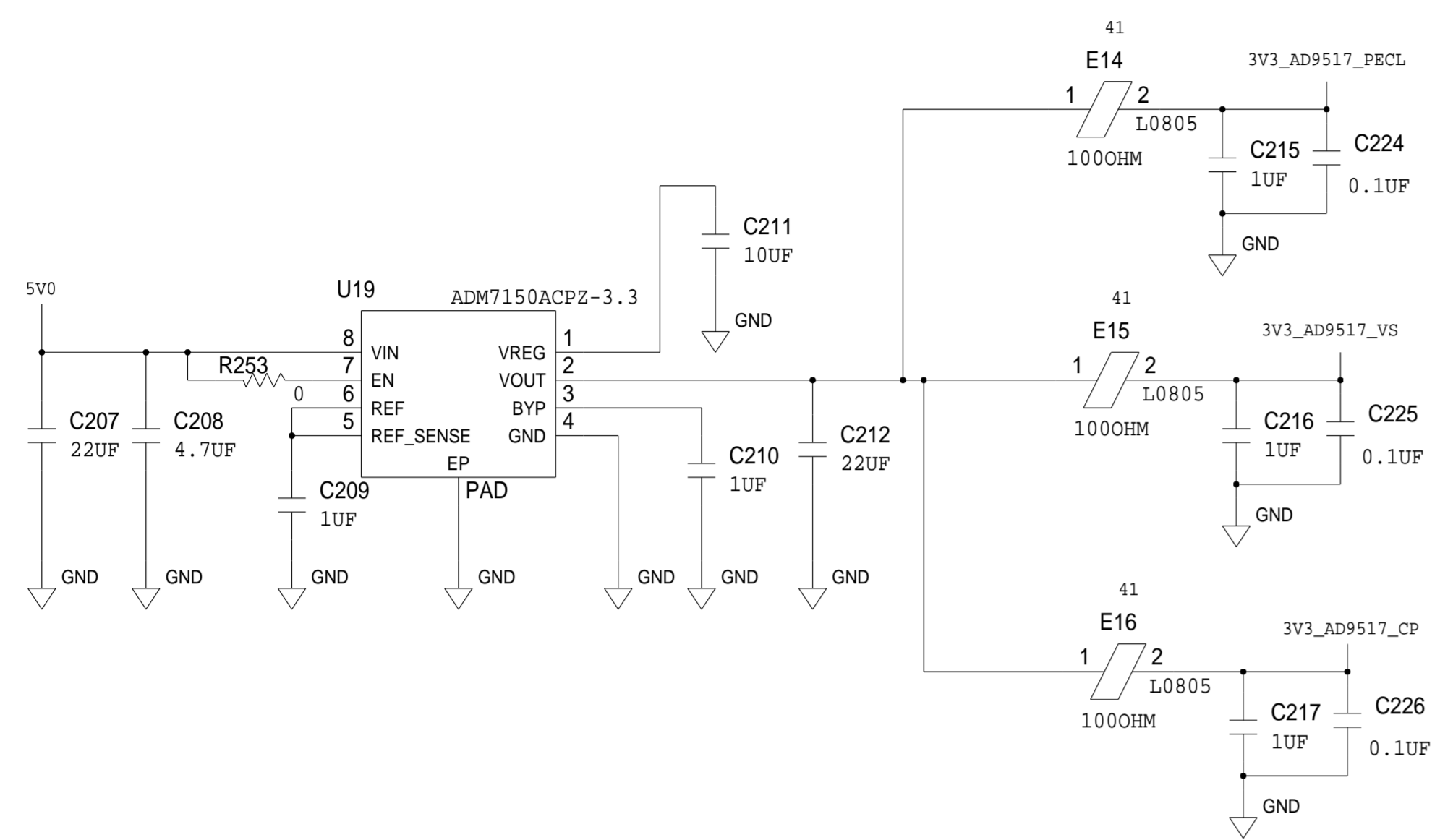


	<b>SCHEMATIC</b>			
	HW TYPE : Customer Evaluation			
	Product(s) : AD9361			
	: N/A			
DESIGN VIEW	DRAWING NO.		REV	
<DESIGN_VIEW>	02_039799		C	
PTD ENGINEER	SIZE	SCALE	SHEET 8 OF 12	
<PTD_ENGINEER>	D	1:1		



REVISIONS			
REV	DESCRIPTION	DATE	APPROVED

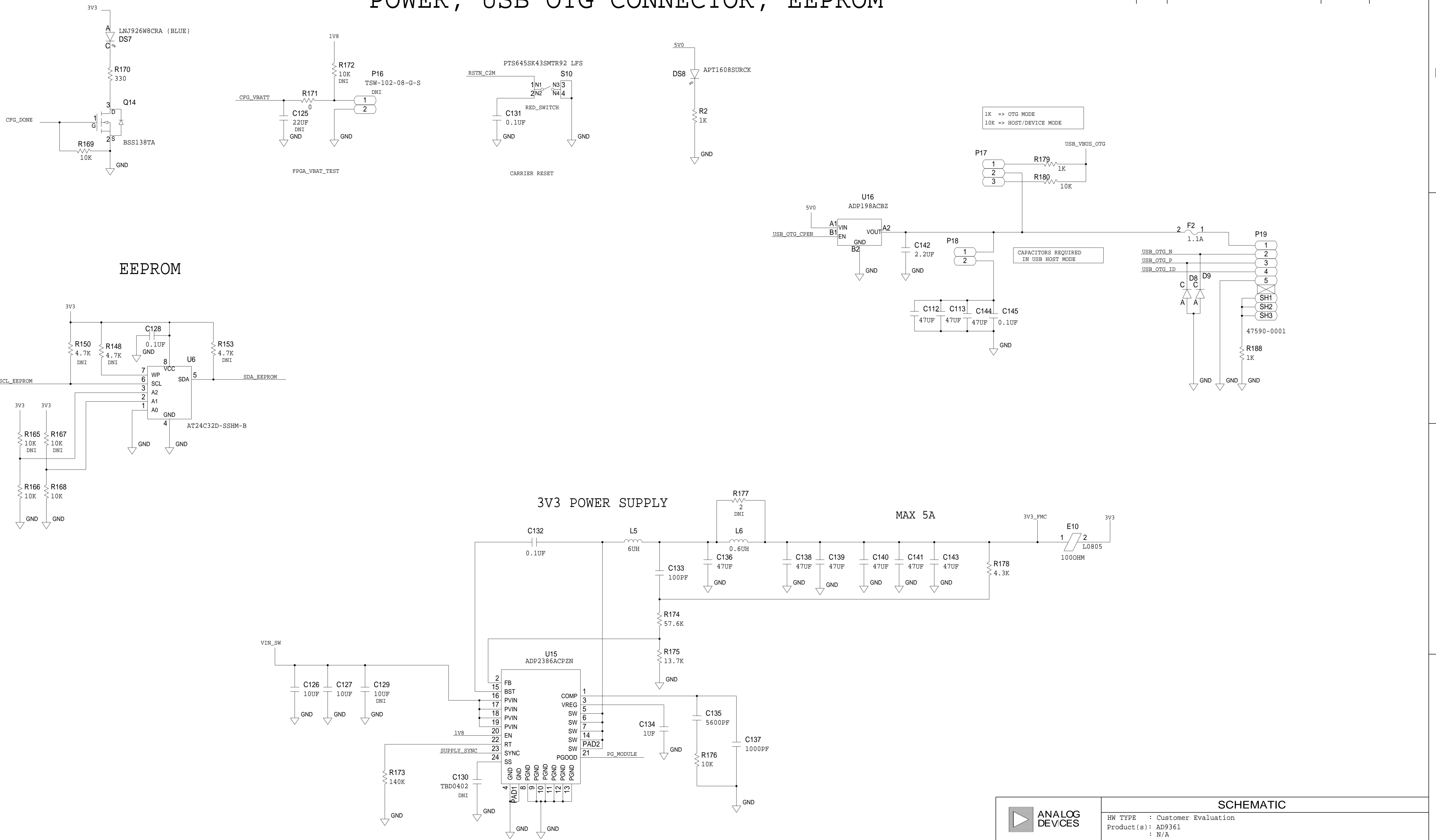
# REF CLOCK



SCHEMATIC			
		HW TYPE : Customer Evaluation Product(s) : AD9361 : N/A	
DESIGN VIEW <DESIGN_VIEW>	DRAWING NO. 02_039799	REV C	
PTD ENGINEER <PTD_ENGINEER>	SIZE D	SCALE 1:1	SHEET 9 OF 12

# POWER, USB OTG CONNECTOR, EEPROM

REVISIONS			
REV	DESCRIPTION	DATE	APPROVED

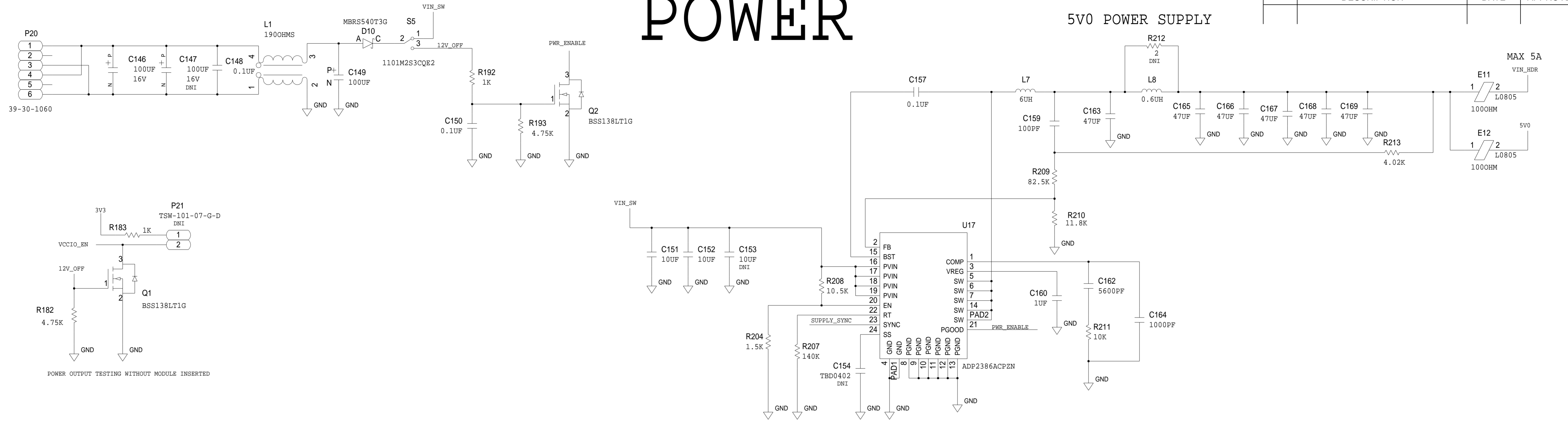


<p>THIS DRAWING IS THE PROPERTY OF ANALOG DEVICES INC. IT IS NOT TO BE REPRODUCED OR COPIED, IN WHOLE OR IN PART, OR USED IN ANY MANNER WITHOUT THE WRITTEN PERMISSION OF ANALOG DEVICES. THE EQUIPMENT SHOWN HEREIN MAY BE PROTECTED BY PATENTS OWNED OR CONTROLLED BY ANALOG DEVICES.</p>	<b>SCHEMATIC</b>		
	HW TYPE : Customer Evaluation Product(s) : Ad9361 : N/A		
	DESIGN VIEW <DESIGN_VIEW>	DRAWING NO. 02_039799	REV C
	PTD ENGINEER <PTD_ENGINEER>	SIZE D	SCALE 1:1
		SHEET 10 OF 12	

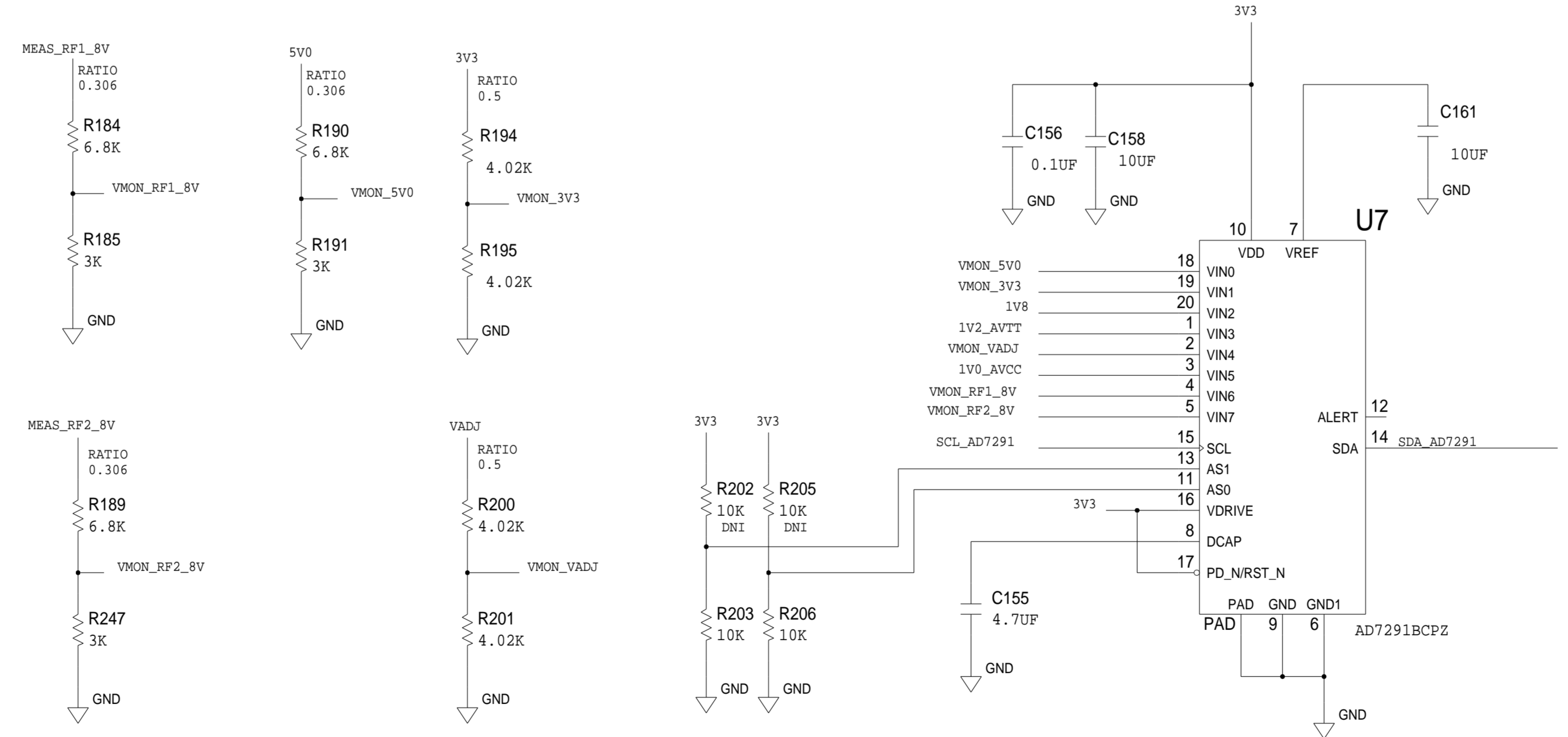
# POWER

## 5V0 POWER SUPPLY

REVISIONS			
REV	DESCRIPTION	DATE	APPROVED



## VOLTAGE MONITORING

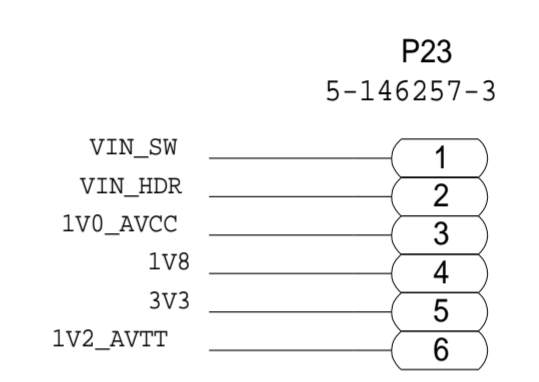


	<b>SCHEMATIC</b>		
	HW TYPE : Customer Evaluation Product(s) : AD9361 : N/A		
	DESIGN VIEW <DESIGN_VIEW>	DRAWING NO. 02_039799	REV C
	PTD ENGINEER <PTD_ENGINEER>	SIZE D	SCALE 1:1
		SHEET 11 OF 12	

REVISIONS			
REV	DESCRIPTION	DATE	APPROVED

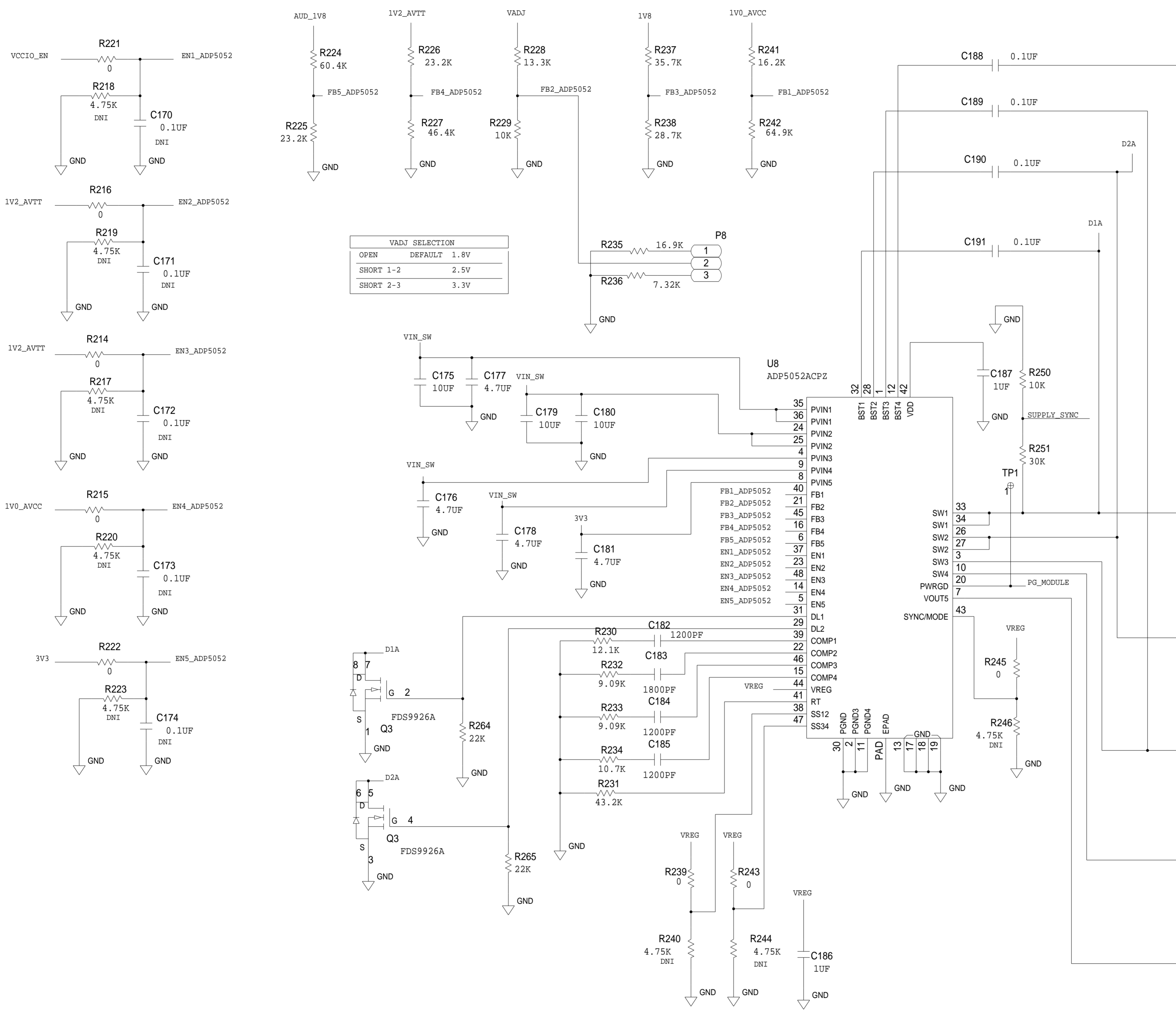
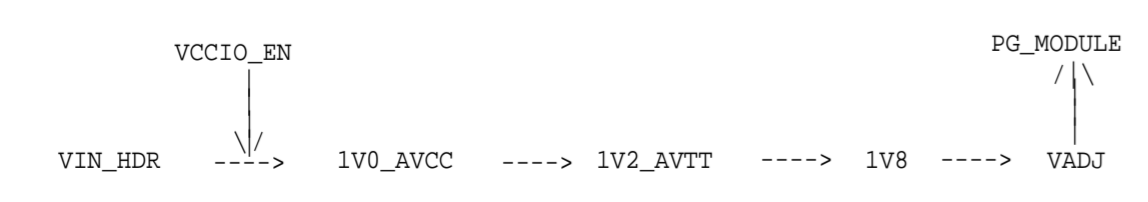
# POWER

## VOLTAGE MONITOR PLUG



VADJ SELECTION		
OPEN	DEFAULT	1.8V
SHORT 1-2		2.5V
SHORT 2-3		3.3V

## POWER SEQUENCE



	<b>SCHEMATIC</b>		
	HW TYPE : Customer Evaluation Product(s) : AD9361 : N/A		
DESIGN VIEW <DESIGN_VIEW>	DRAWING NO. 02_039799	REV C	
PTD ENGINEER <PTD_ENGINEER>	SIZE D	SCALE 1:1	SHEET 12 OF 12