

THIS DRAWING IS THE PROPERTY OF ANALOG DEVICES INC. IT IS NOT TO BE REPRODUCED OR COPIED, IN WHOLE OR IN PART, OR USED IN FURNISHING INFORMATION TO OTHERS, OR FOR ANY OTHER PURPOSE DETRIMENTAL TO THE INTERESTS OF ANALOG DEVICES. THE EQUIPMENT SHOWN HEREON MAY BE PROTECTED BY PATENTS OWNED OR CONTROLLED BY ANALOG DEVICES.

RELAY CONTROL CHART

CONTROL	CODE	DEVICE	FUNCTION	CONNECTOR


JUMPER TABLE		
JP#	ON	OFF
1		
2		
3		
4		
5		

* SEE ASSEMBLY INSTRUCTIONS

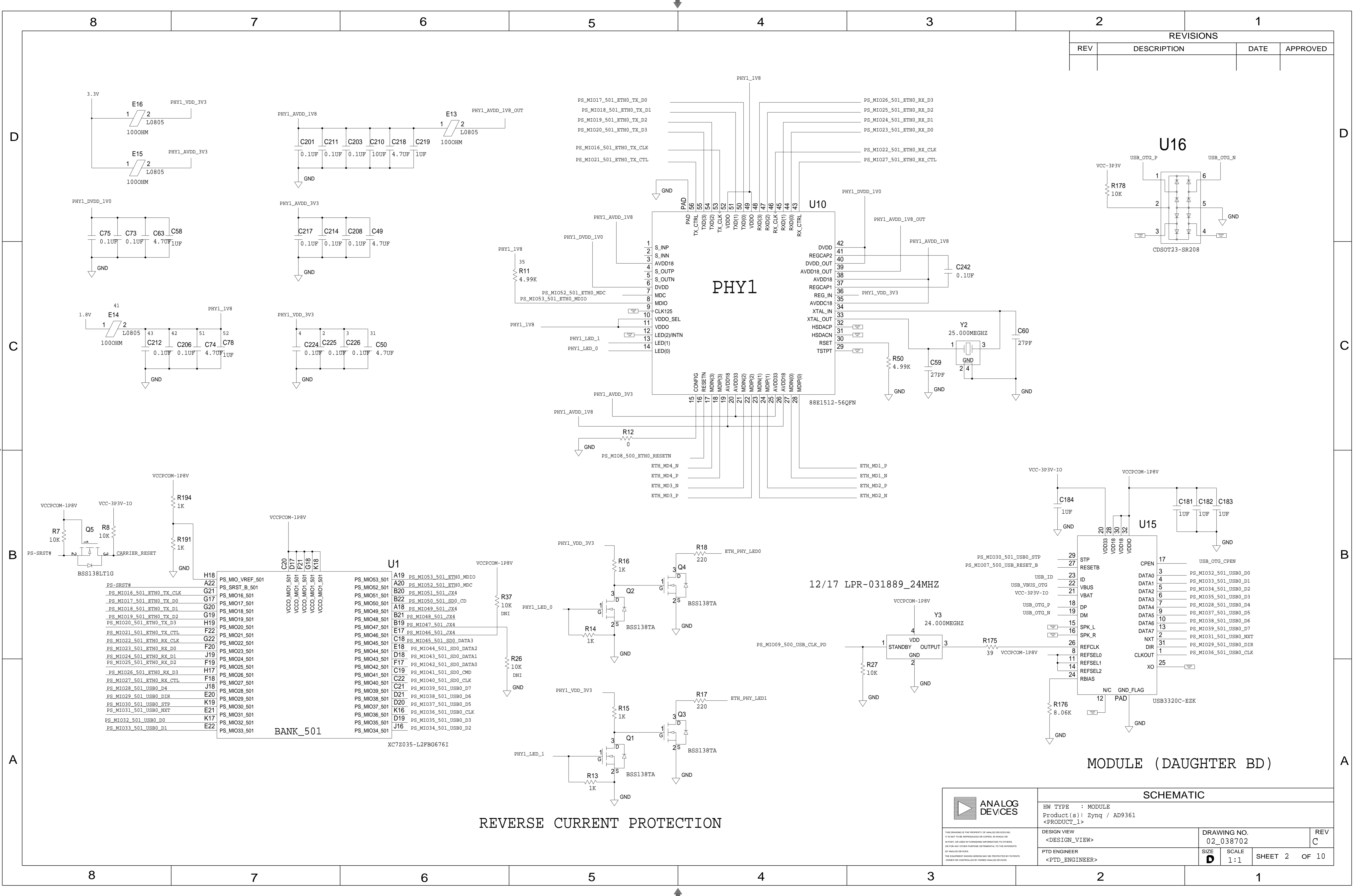
REVISIONS			
REV	DESCRIPTION	DATE	APPROVED
A	ORIGINATION NHR-039086	JUN-2014	R.GETZ

02-NOV-2015 MODULE (DAUGHTER BD)

P.O SPEC.	BK/BD SPEC.	SOCKET OEM	OEM PART#	HANDLER

TEMPLATE ENGINEER - HARDWARE SERVICES - HARDWARE SYSTEMS - TEST ENGINEER - COMPONENT ENGINEER - TEST PROCESS - HARDWARE RELEASE - DESIGNER S.LEE/ PTD ENGINEER <PTD_ENGINEER> CHECKER -	DATE 	<h2 style="margin: 0;">SCHEMATIC</h2> <p style="font-size: small;"> HW TYPE : MODULE Product(s): Zynq / AD9361 <PRODUCT_1> PACKAGE : PinCount-lead N/A Package-family : Pitch-pitch StyleVendor Style <User Define> <User Define> <User Define> </p>	
MASTER PROJECT TEMPLATE TBD		TESTER TEMPLATE no_template	
DRAWING NO.		REV.	
02_038702		C	
UNLESS OTHERWISE SPECIFIED DIMENSIONS ARE IN INCHES			
TOLERANCES			
DECIMALS X.XX +-0.010 X.XXX +-0.005	FRACTIONS +1/32	ANGLES +2	SIZE D SCALE 1:1 CODE ID NO. CodeID SHEET 1 OF 10

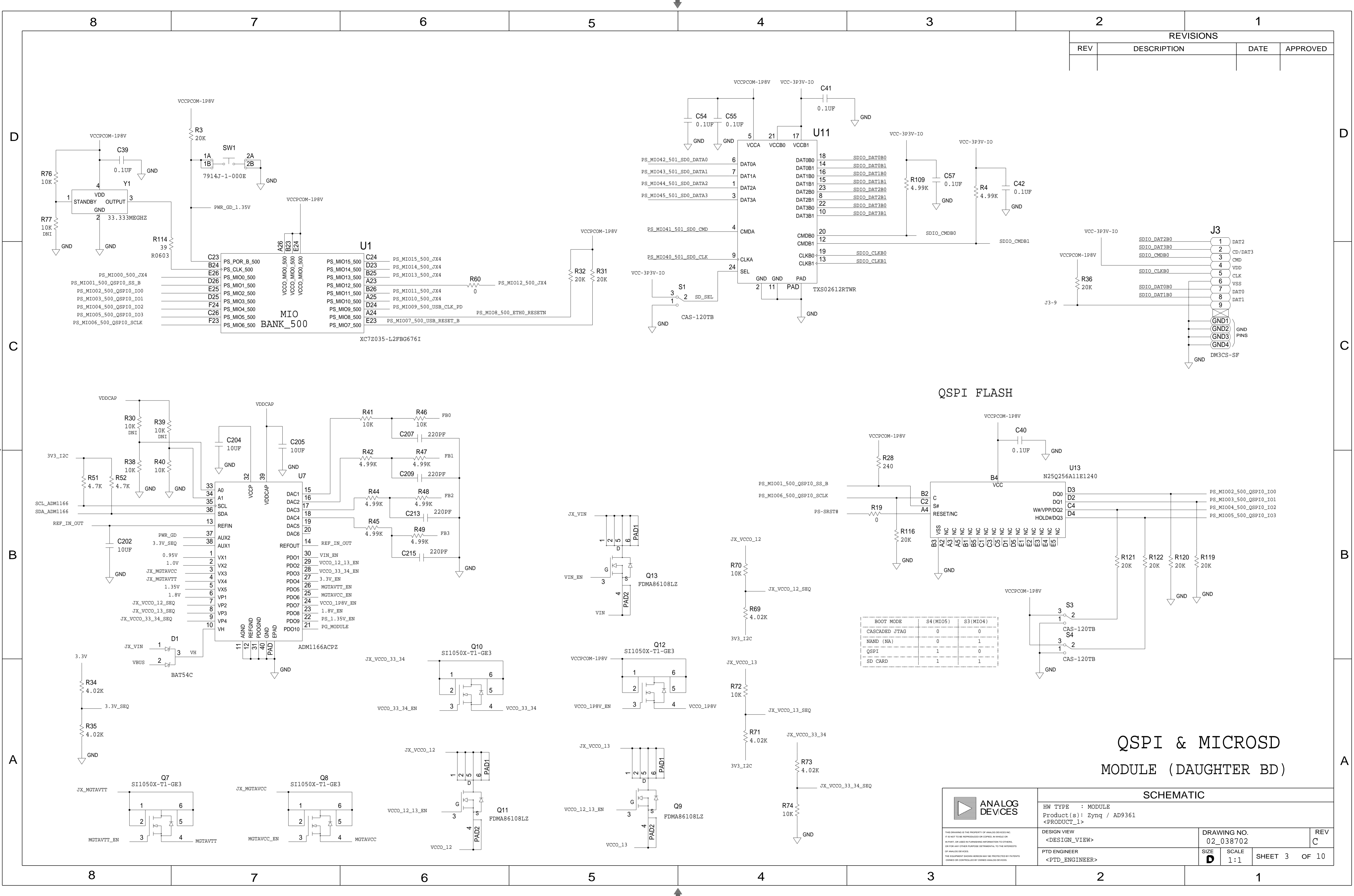
REVISIONS			
REV	DESCRIPTION	DATE	APPROVED



REVERSE CURRENT PROTECTION

SCHEMATIC			
		HW TYPE : MODULE Product(s) : Zynq / AD9361 <PRODUCT_1>	
DESIGN VIEW	<DESIGN_VIEW>	DRAWING NO.	02_038702
PTD ENGINEER	<PTD_ENGINEER>	REV	C
SIZE	D	SCALE	1:1
SHEET 2		OF 10	

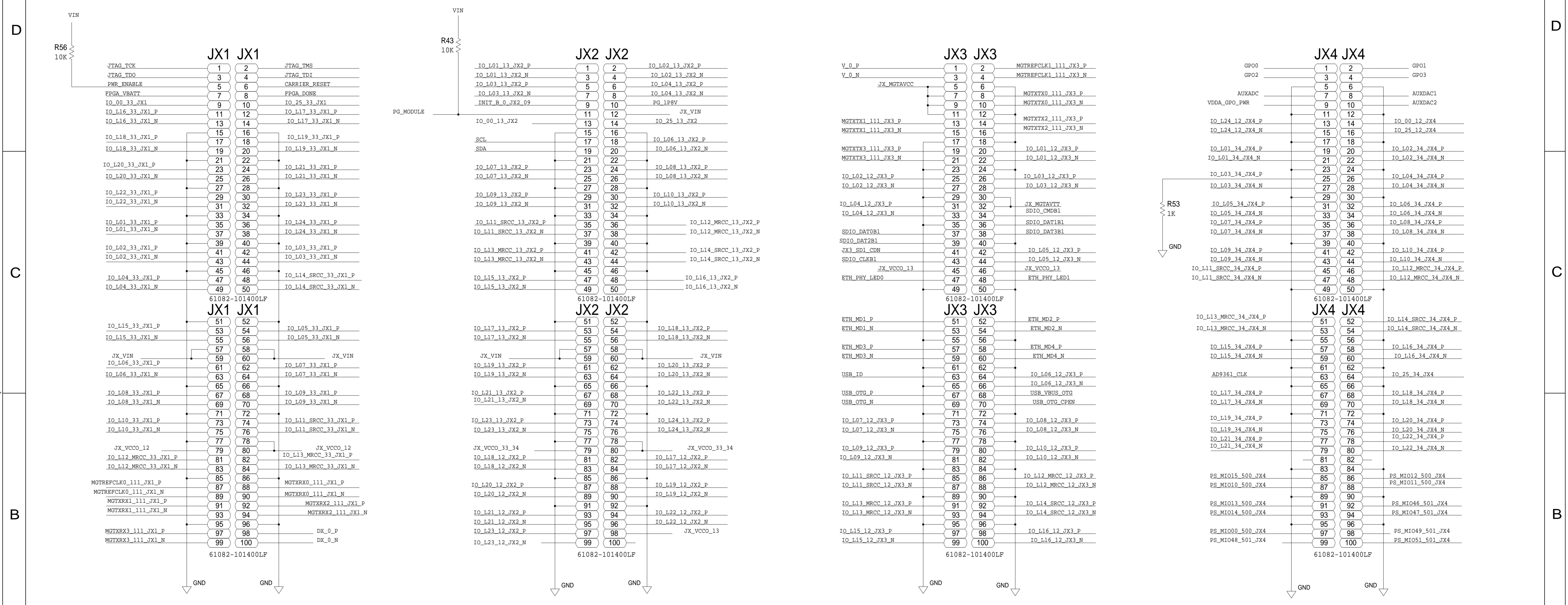
REVISIONS			
REV	DESCRIPTION	DATE	APPROVED



QSPI & MICROSD MODULE (DAUGHTER BD)

SCHEMATIC			
		HW TYPE : MODULE Product(s): Zynq / AD9361 <PRODUCT_1>	
DESIGN VIEW <DESIGN_VIEW>		DRAWING NO. 02_038702	
PTD ENGINEER <PTD_ENGINEER>		SIZE D	SCALE 1:1
		SHEET 3 OF 10	REV C

REVISIONS			
REV	DESCRIPTION	DATE	APPROVED

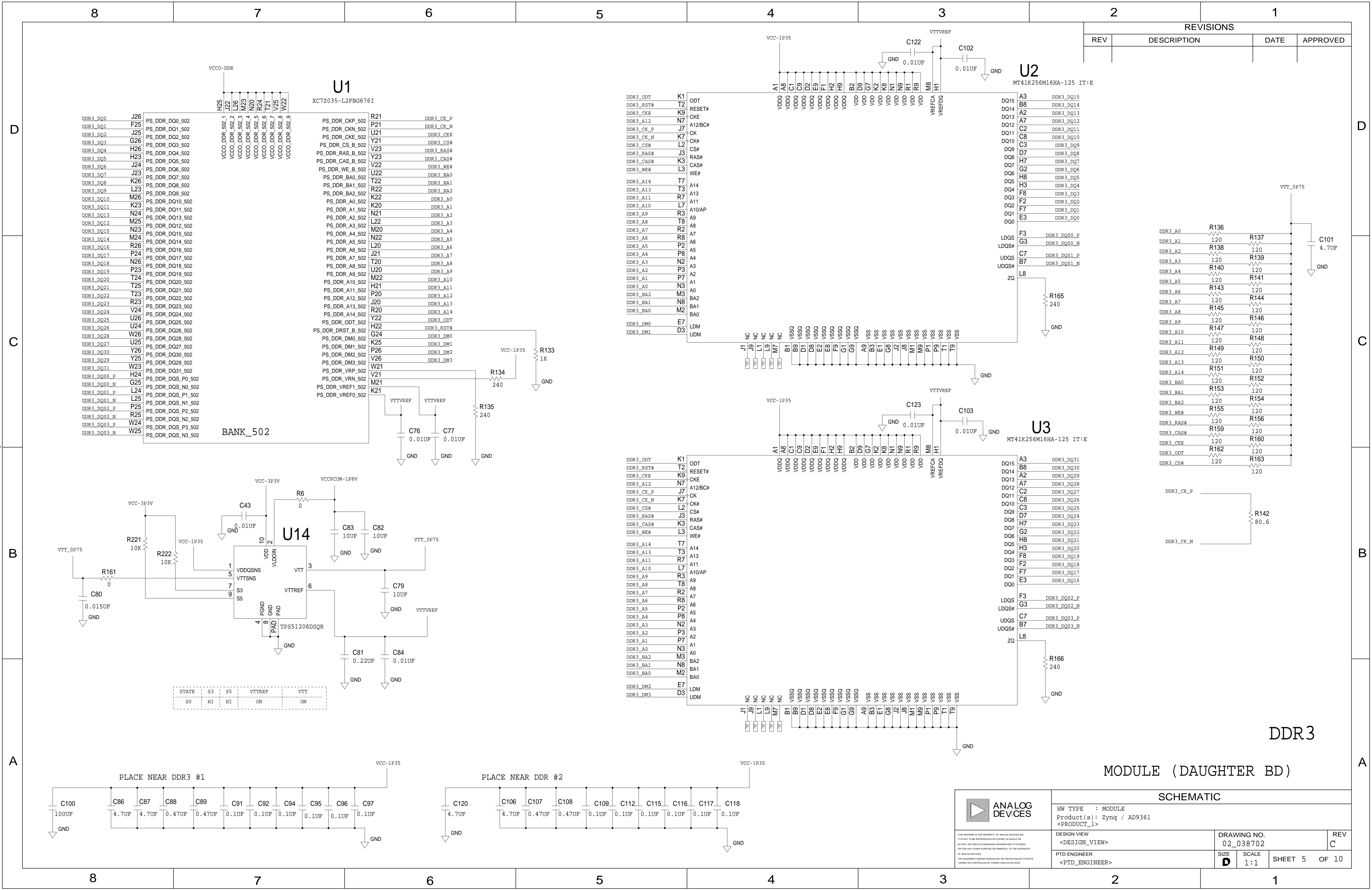


MODULE (DAUGHTER BD)

	SCHEMATIC		
	HW TYPE : MODULE Product(s): Zynq / AD9361 <PRODUCT_1>		
	DESIGN VIEW <DESIGN_VIEW>	DRAWING NO. 02_038702	REV C
	PTD ENGINEER <PTD_ENGINEER>	SIZE D	SCALE 1:1

SHEET 4 OF 10

REVISIONS			
REV	DESCRIPTION	DATE	APPROVED



ANALOG DEVICES

HW TYPE : MODULE
Product(s) : Zynq / AD9361
<PRODUCT_1>
<DESIGN_VIEW>

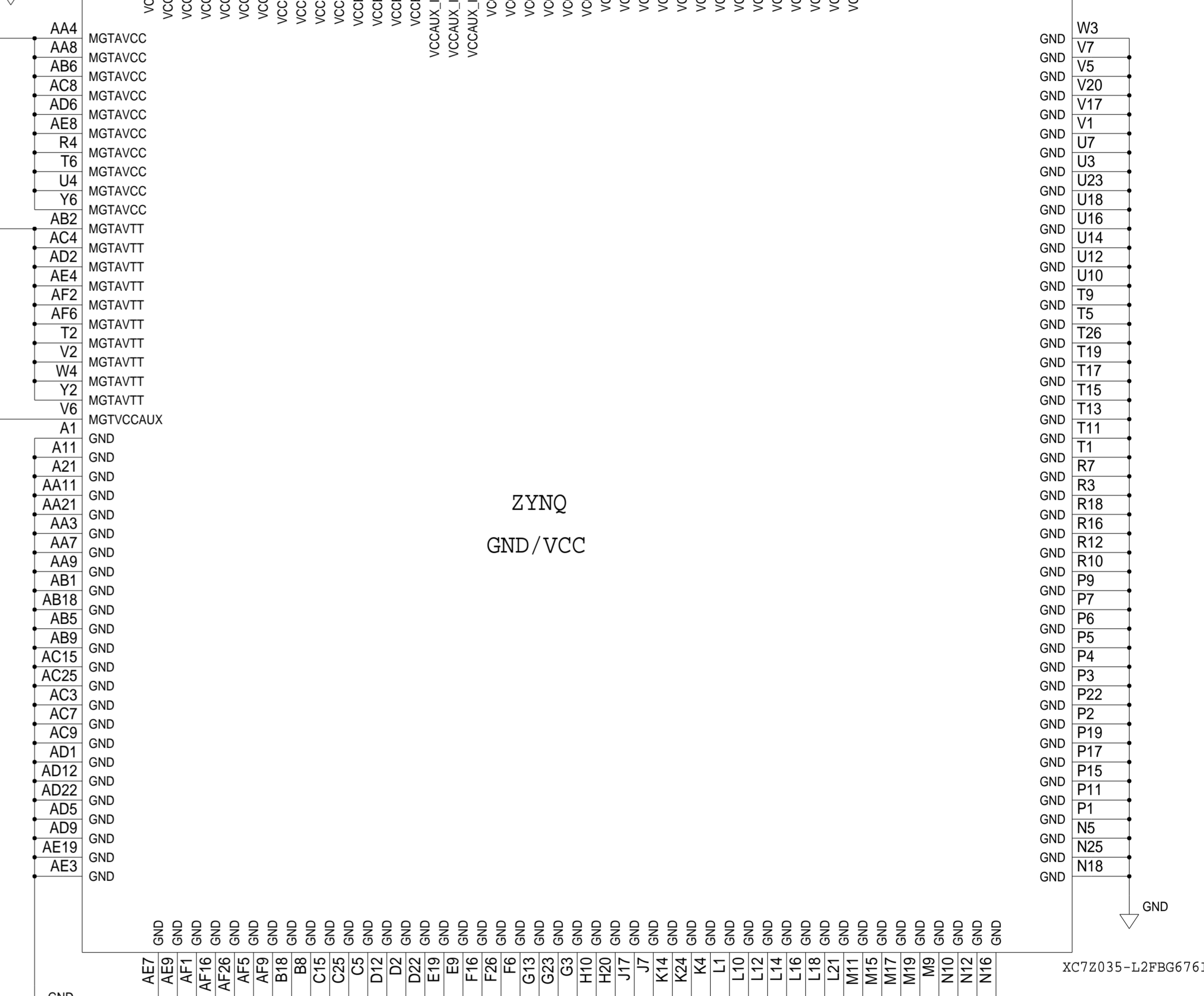
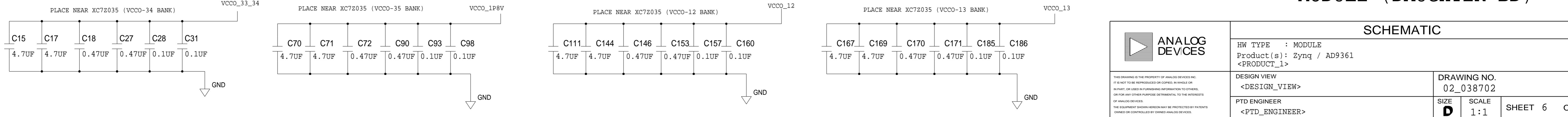
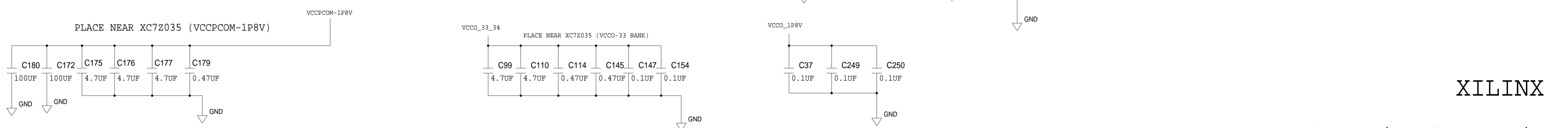
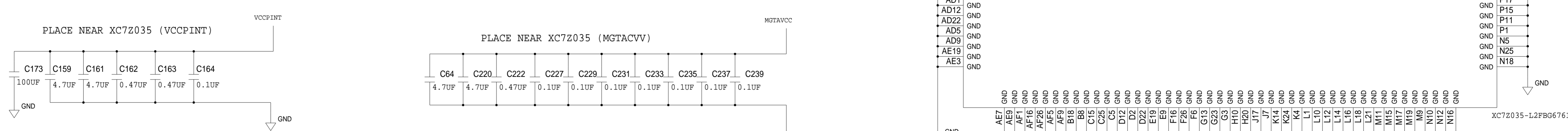
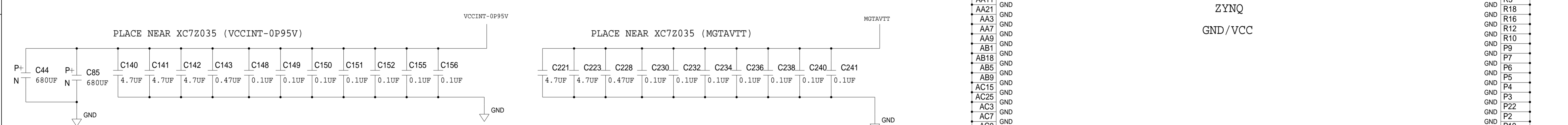
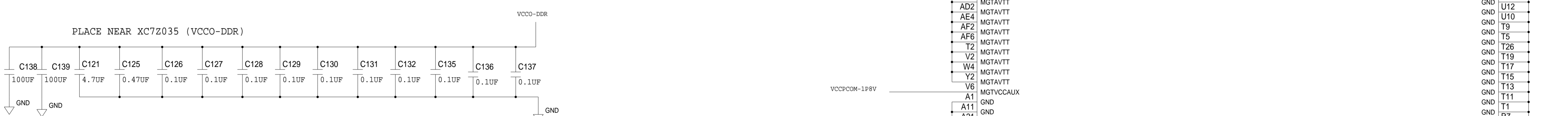
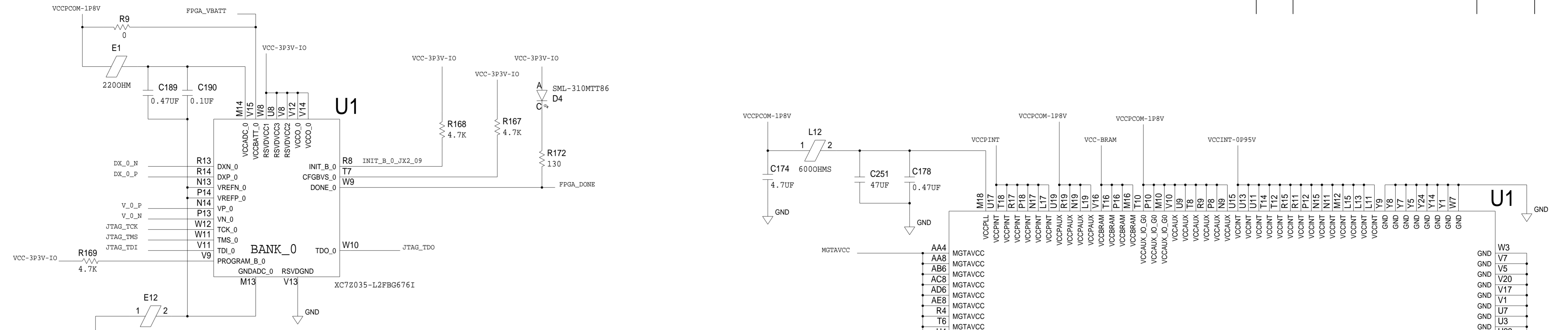
DESIGN NO. 02_038702
REV C

PTD ENGINEER <PTD_ENGINEER>

SIZE D SCALE 1:1 SHEET 5 OF 10

THIS DRAWING IS THE PROPERTY OF ANALOG DEVICES INC. IT IS NOT TO BE REPRODUCED OR COPIED, IN WHOLE OR IN PART, OR USED IN FURNISHING INFORMATION TO OTHERS, OR FOR ANY OTHER PURPOSE DETRIMENTAL TO THE INTERESTS OF ANALOG DEVICES. THE EQUIPMENT SHOWN HEREON MAY BE PROTECTED BY PATENTS OWNED OR CONTROLLED BY ANALOG DEVICES.

REVISIONS			
REV	DESCRIPTION	DATE	APPROVED



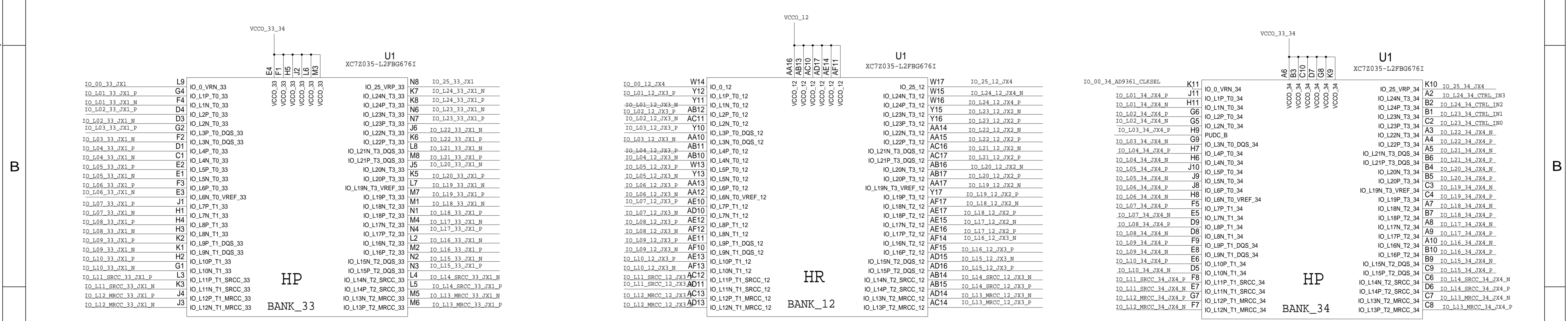
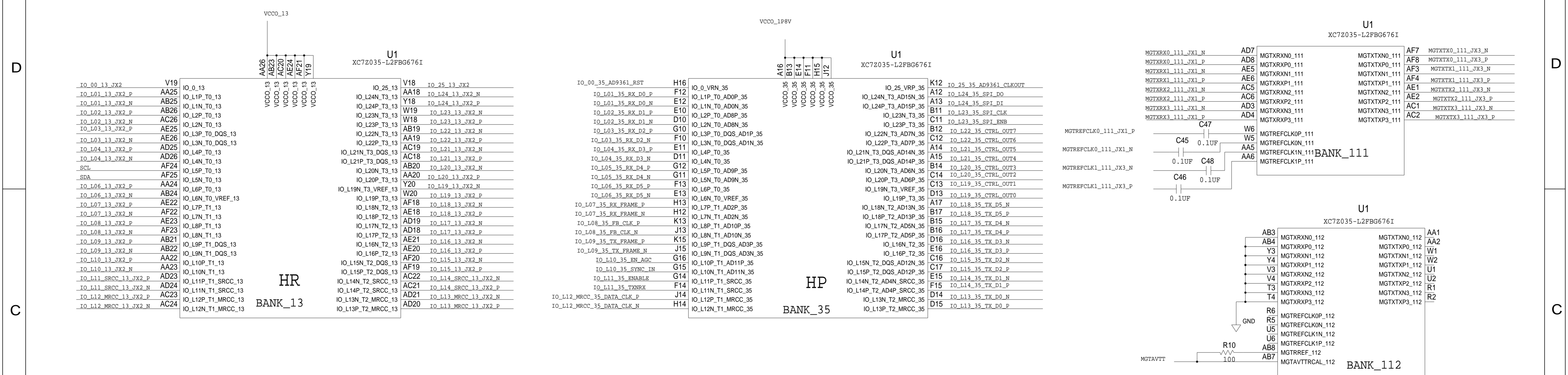
XILINX

MODULE (DAUGHTER BD)

SCHEMATIC			
HW TYPE : MODULE		DRAWING NO. 02_038702	
Product(s) : Zynq / AD9361		REV C	
DESIGN VIEW		SIZE D	
<DESIGN_VIEW>		SCALE 1:1	
PTD ENGINEER		SHEET 6 OF 10	
<PTD_ENGINEER>			

THIS DRAWING IS THE PROPERTY OF ANALOG DEVICES INC. IT IS NOT TO BE REPRODUCED OR COPIED IN WHOLE OR IN PART, OR USED IN ANY MANNER THAT WOULD BE DETRIMENTAL TO THE INTERESTS OF ANALOG DEVICES. THE EQUIPMENT SHOWN HEREIN MAY BE PROTECTED BY PATENTS OWNED OR CONTROLLED BY ANALOG DEVICES.

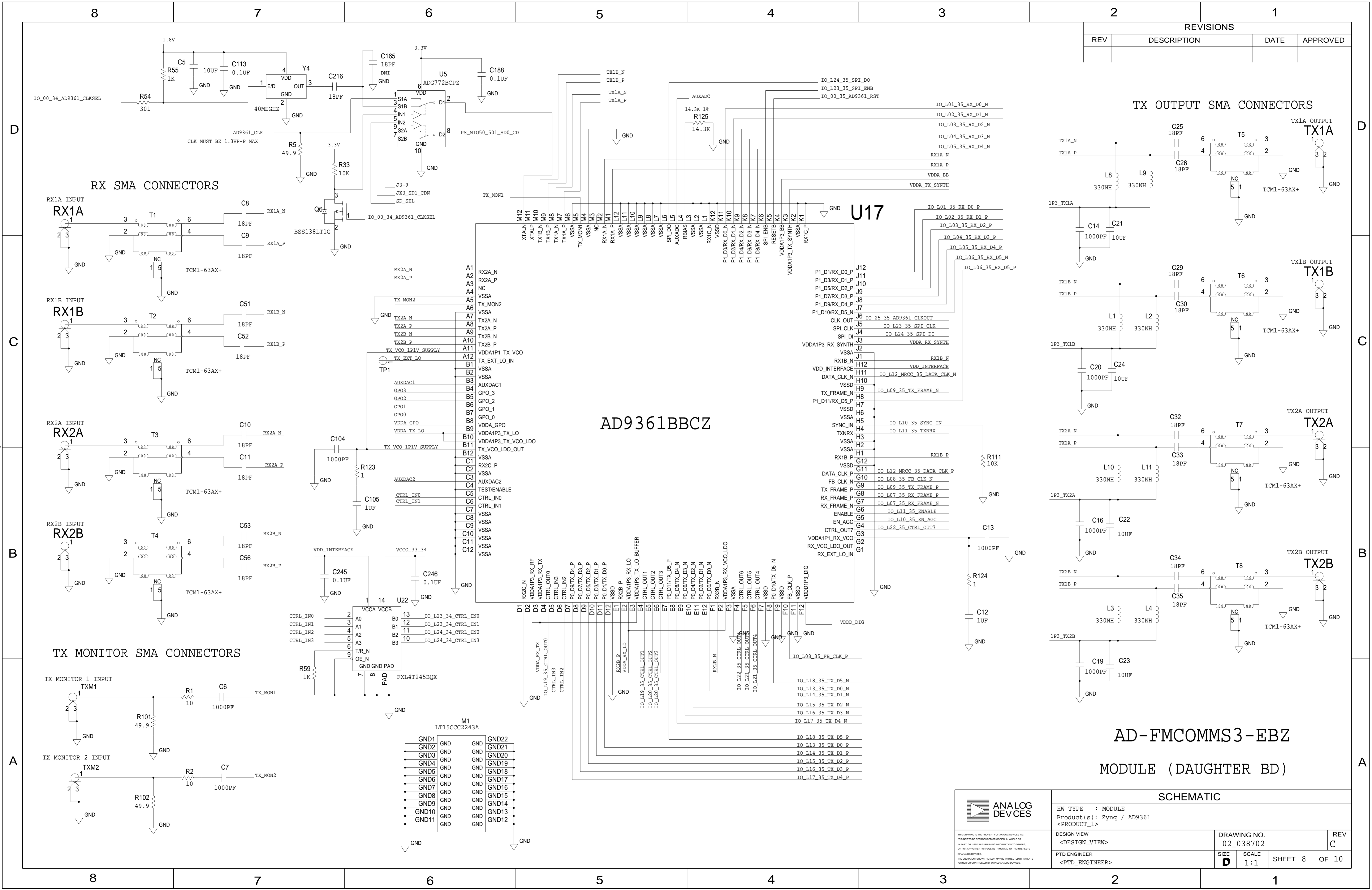
REVISIONS			
REV	DESCRIPTION	DATE	APPROVED



XILINX
MODULE (DAUGHTER BD)

SCHEMATIC			
HW TYPE : MODULE		REV C	
Product(s) : Zynq / AD9361		DRAWING NO. 02_038702	
<PRODUCT_1>		SHEET 7 OF 10	
DESIGN VIEW	PTD ENGINEER	SIZE D	SCALE 1:1
<DESIGN_VIEW>		<PTD_ENGINEER>	

REVISIONS			
REV	DESCRIPTION	DATE	APPROVED



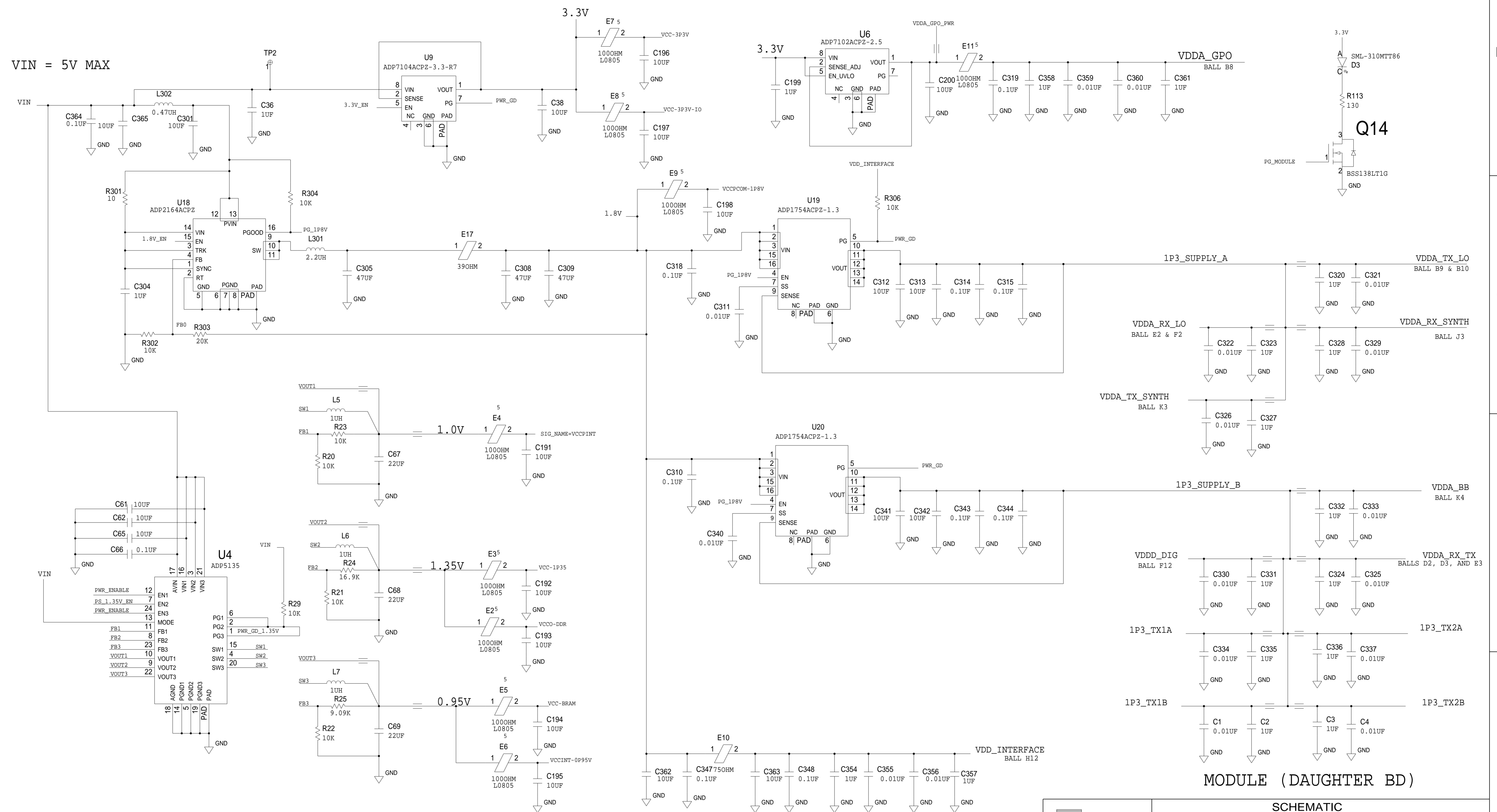
AD-FMCOMMS3-EBZ

MODULE (DAUGHTER BD)

SCHEMATIC			
		HW TYPE : MODULE Product(s) : Zynq / AD9361 <PRODUCT_1>	
DESIGN VIEW	<DESIGN_VIEW>	DRAWING NO.	REV
PTD ENGINEER	<PTD_ENGINEER>	02_038702	C
SIZE	SCALE	SHEET	OF
D	1:1	8	10

POWER MANAGEMENT SECTION

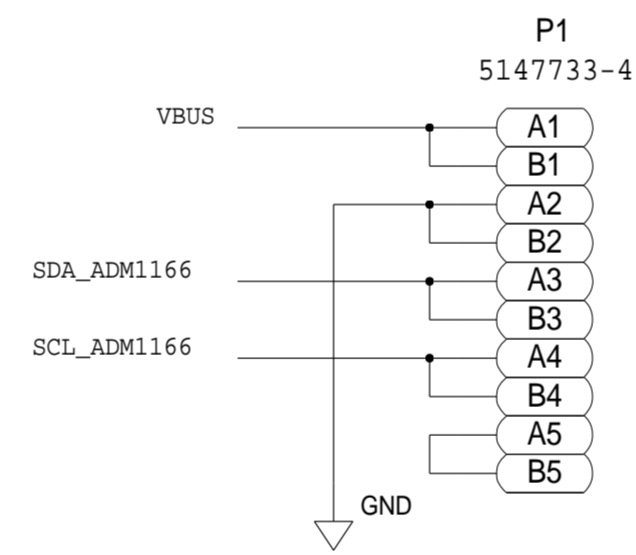
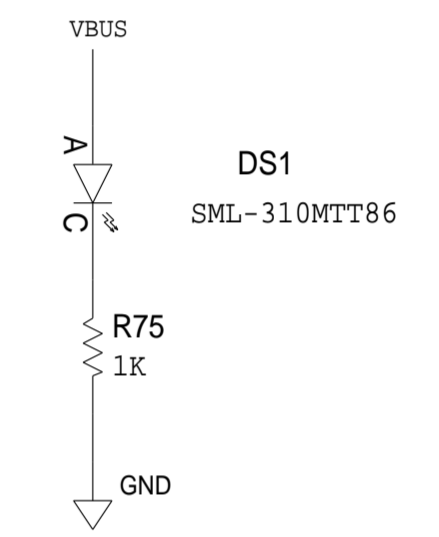
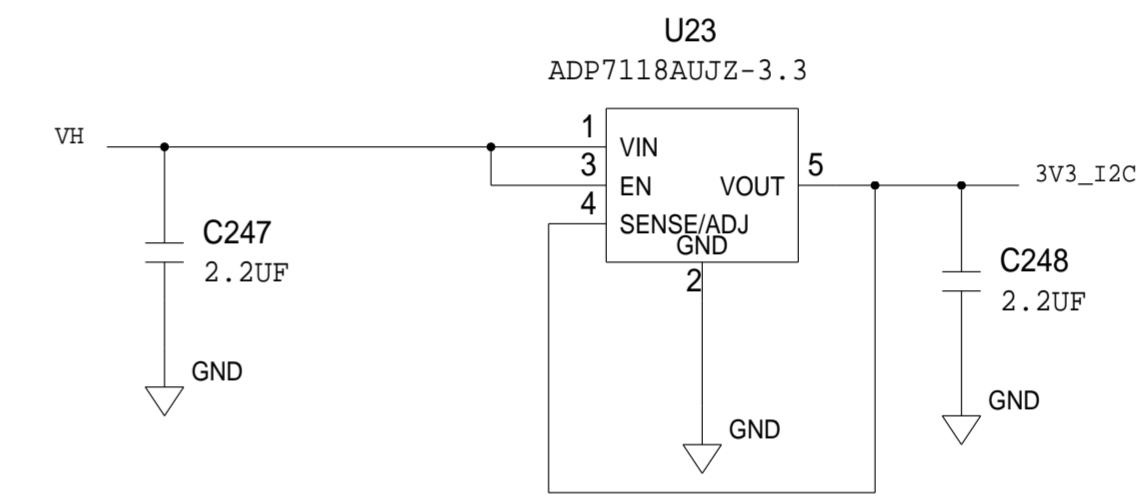
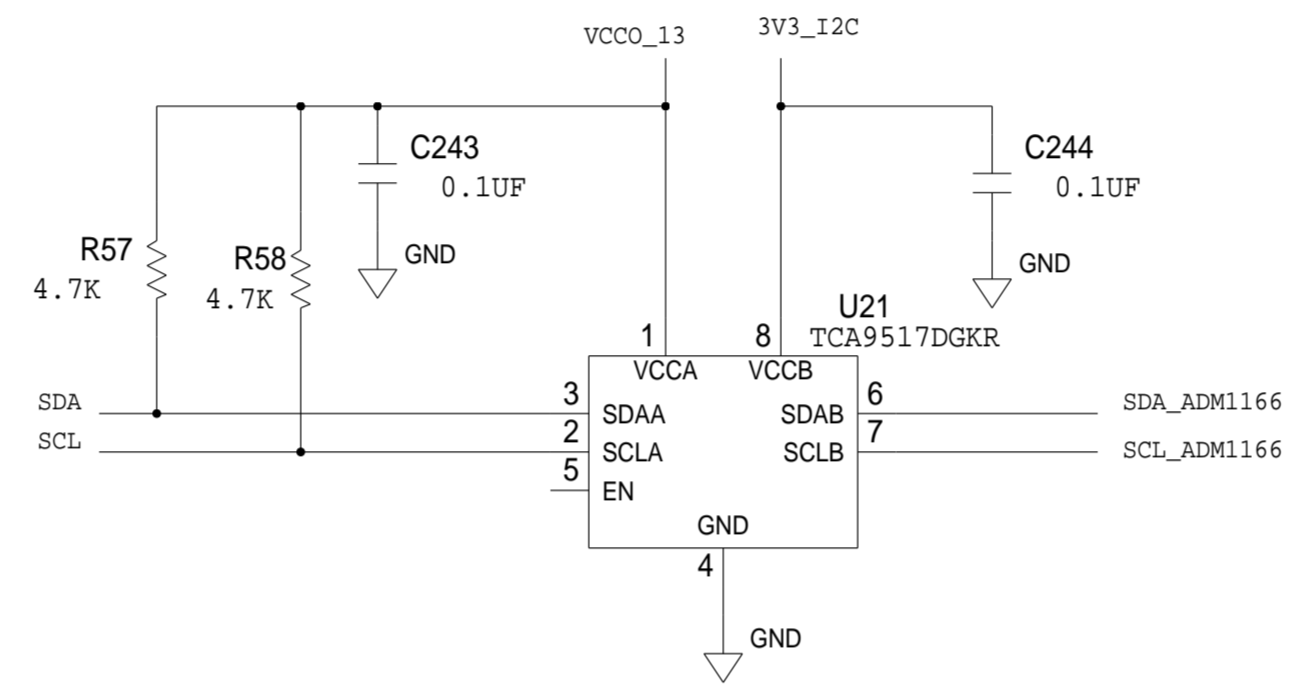
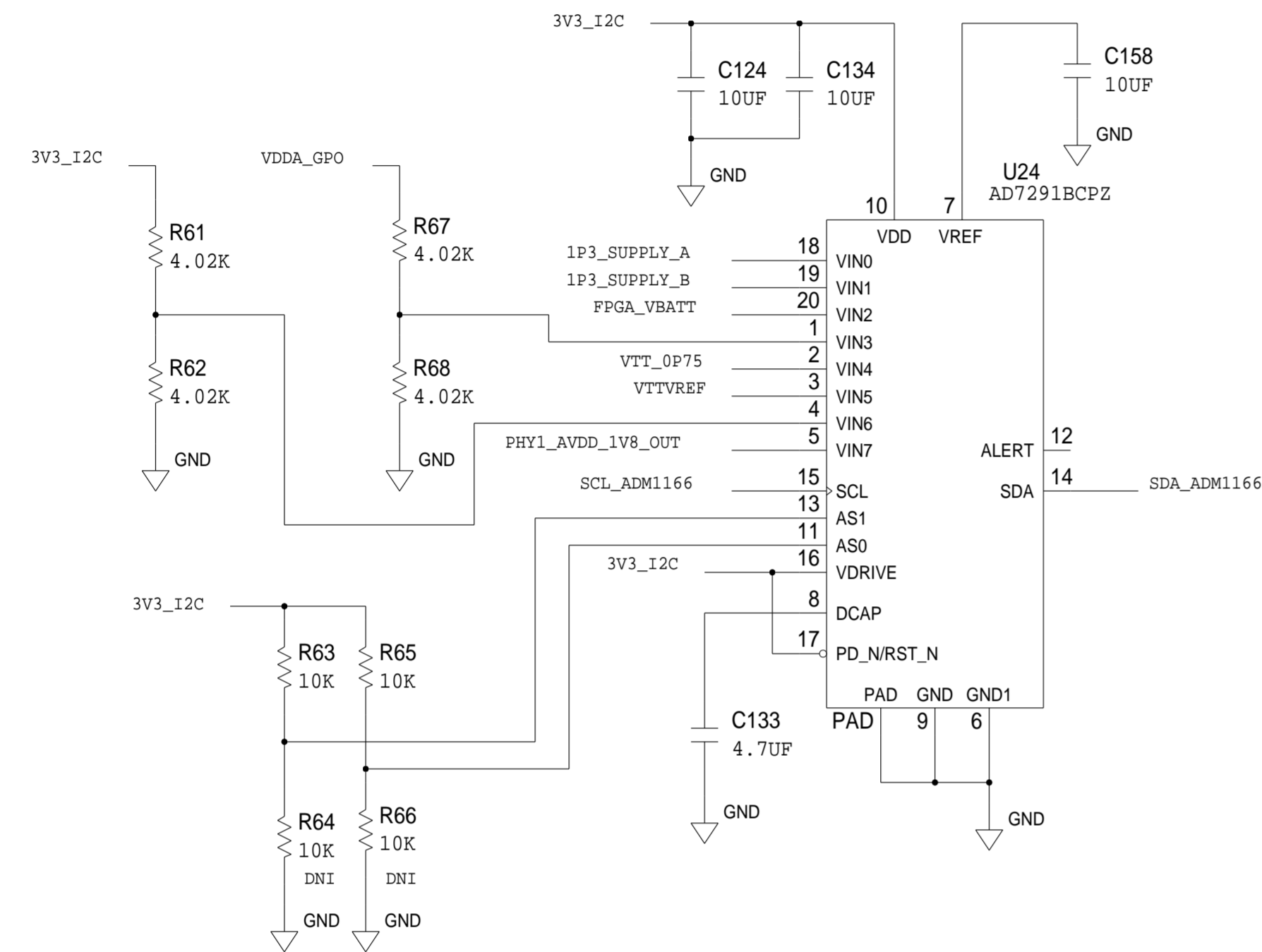
REVISIONS			
REV	DESCRIPTION	DATE	APPROVED



MODULE (DAUGHTER BD)

<p>THIS DRAWING IS THE PROPERTY OF ANALOG DEVICES INC. IT IS NOT TO BE REPRODUCED OR COPIED, IN WHOLE OR IN PART, OR USED IN ANY MANNER WITHOUT THE WRITTEN PERMISSION OF ANALOG DEVICES. THE EQUIPMENT SHOWN HEREIN MAY BE PROTECTED BY PATENTS OWNED OR CONTROLLED BY ANALOG DEVICES.</p>	SCHEMATIC		
	HW TYPE : MODULE Product(s): Zynq / AD9361 <PRODUCT_1>		
	DESIGN VIEW <DESIGN_VIEW>	DRAWING NO. 02_038702	REV C
	PTD ENGINEER <PTD_ENGINEER>	SIZE D	SCALE 1:1
		SHEET 9	OF 10

REVISIONS			
REV	DESCRIPTION	DATE	APPROVED



	SCHEMATIC		
	HW TYPE : MODULE Product(s): Zynq / AD9361 <PRODUCT_1>		
	DESIGN VIEW <DESIGN_VIEW>	DRAWING NO. 02_038702	REV C
	PTD ENGINEER <PTD_ENGINEER>	SIZE D	SCALE 1:1
		SHEET 10 OF 10	