

THIS DRAWING IS THE PROPERTY OF ANALOG DEVICES INC. IT IS NOT TO BE REPRODUCED OR COPIED, IN WHOLE OR IN PART, OR USED IN FURNISHING INFORMATION TO OTHERS, OR FOR ANY OTHER PURPOSE DETRIMENTAL TO THE INTERESTS OF ANALOG DEVICES. THE EQUIPMENT SHOWN HEREON MAY BE PROTECTED BY PATENTS OWNED OR CONTROLLED BY ANALOG DEVICES.

RELAY CONTROL CHART

CONTROL	CODE	DEVICE	FUNCTION	CONNECTOR

JUMPER TABLE		
JP#	ON	OFF
1		
2		
3		
4		
5		

* SEE ASSEMBLY INSTRUCTIONS

REVISIONS			
REV	DESCRIPTION	DATE	APPROVED
A	ORIGINATION NHR-039086	JUN-2014	R.GBTZ

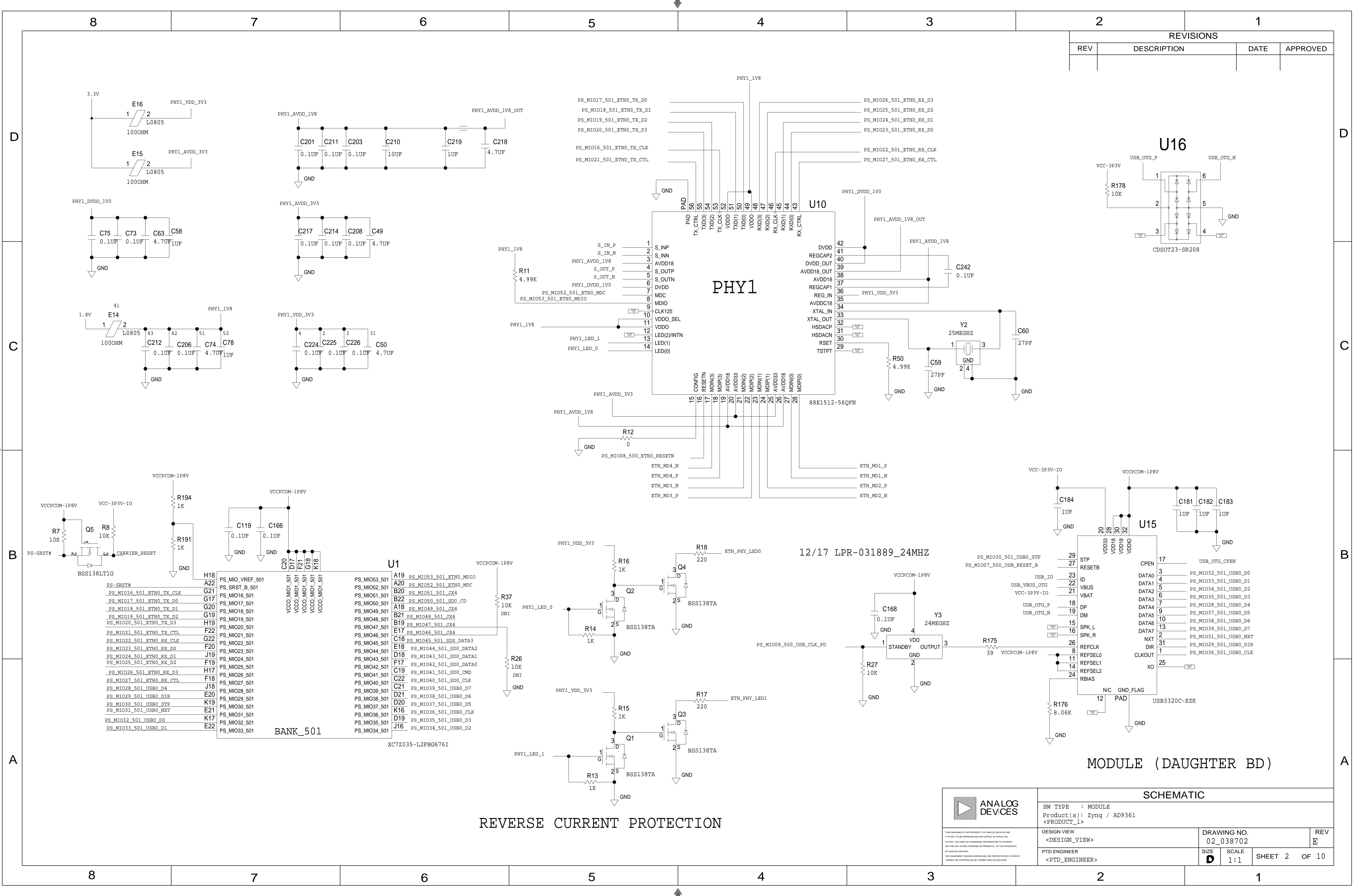
04-NOVEMBER-2016

MODULE (DAUGHTER BD)

P.O SPEC.	BK/BD SPEC.	SOCKET OEM	OEM PART#	HANDLER

TEMPLATE ENGINEER -	DATE	SCHEMATIC			ANALOG DEVICES
HARDWARE SERVICES -					
HARDWARE SYSTEMS -		HW TYPE : MODULE			
TEST ENGINEER -		Product(s): Zynq / AD9361			
COMPONENT ENGINEER -		<PRODUCT_1>			
TEST PROCESS -		PACKAGE : PinCount-lead N/A Package-family			
HARDWARE RELEASE -		: Pitch-pitch StyleVendor Style			
DESIGNER S.LEE/		MASTER PROJECT TEMPLATE TBD	TESTER TEMPLATE no_template	DRAWING NO. 02_038702	REV. E
PTD ENGINEER <PTD_ENGINEER>		UNLESS OTHERWISE SPECIFIED DIMENSIONS ARE IN INCHES			
CHECKER -		TOLERANCES			
		DECIMALS X.XX +0.010 X.XXX +0.005	FRACTIONS +1/32	ANGLES +2	
		SIZE D	SCALE 1:1	CODE ID NO. CodeID	SHEET 1 OF 10

REVISIONS			
REV	DESCRIPTION	DATE	APPROVED

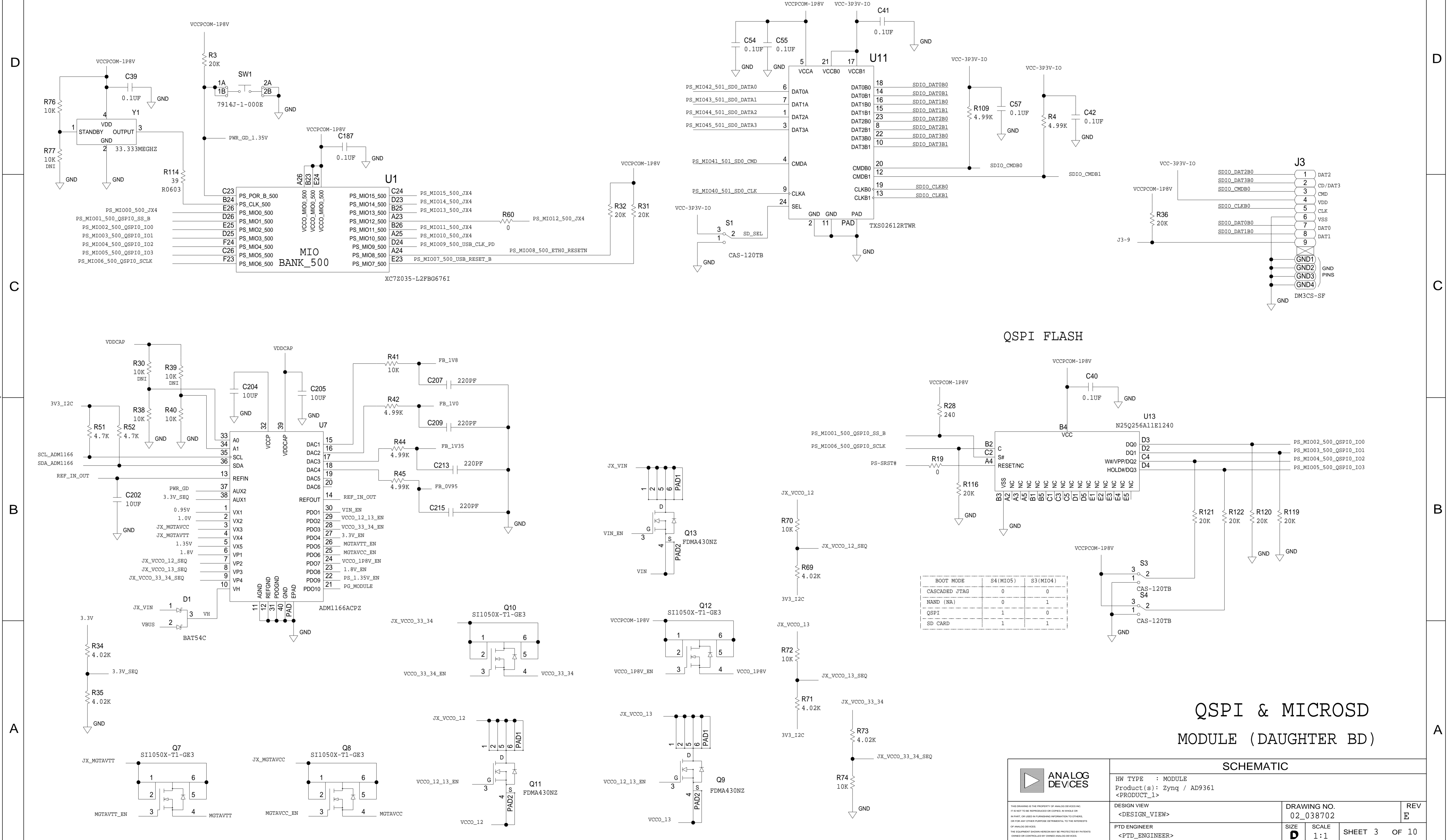


REVERSE CURRENT PROTECTION

	SCHEMATIC		
	HW TYPE : MODULE Product(s) : Zynq / AD9361 <PRODUCT_1>		
DESIGN VIEW <DESIGN_VIEW>	DRAWING NO. 02_038702	REV E	
PTD ENGINEER <PTD_ENGINEER>	SIZE D	SCALE 1:1	SHEET 2 OF 10

MODULE (DAUGHTER BD)

REVISIONS			
REV	DESCRIPTION	DATE	APPROVED



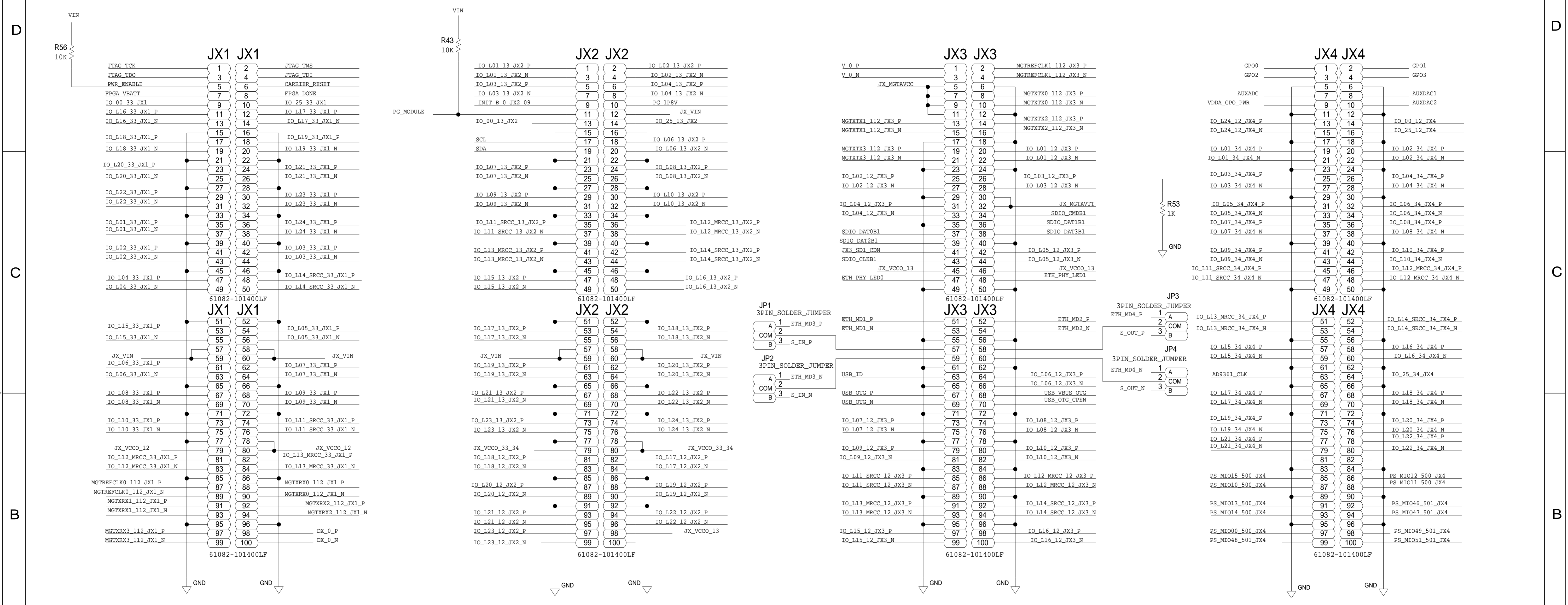
QSPI FLASH

	S4 (MIO5)	S3 (MIO4)
CASCADDED JTAG	0	0
NAND (NA)	0	1
QSPI	1	0
SD CARD	1	1

QSPI & MICROSD MODULE (DAUGHTER BD)

SCHEMATIC			
ANALOG DEVICES		HW TYPE : MODULE	
Product(s): Zynq / AD9361		<PRODUCT_1>	
DESIGN VIEW		DRAWING NO. 02_038702	
<DESIGN_VIEW>		REV E	
PTD ENGINEER <PTD_ENGINEER>		SIZE D	SCALE 1:1
		SHEET 3	OF 10

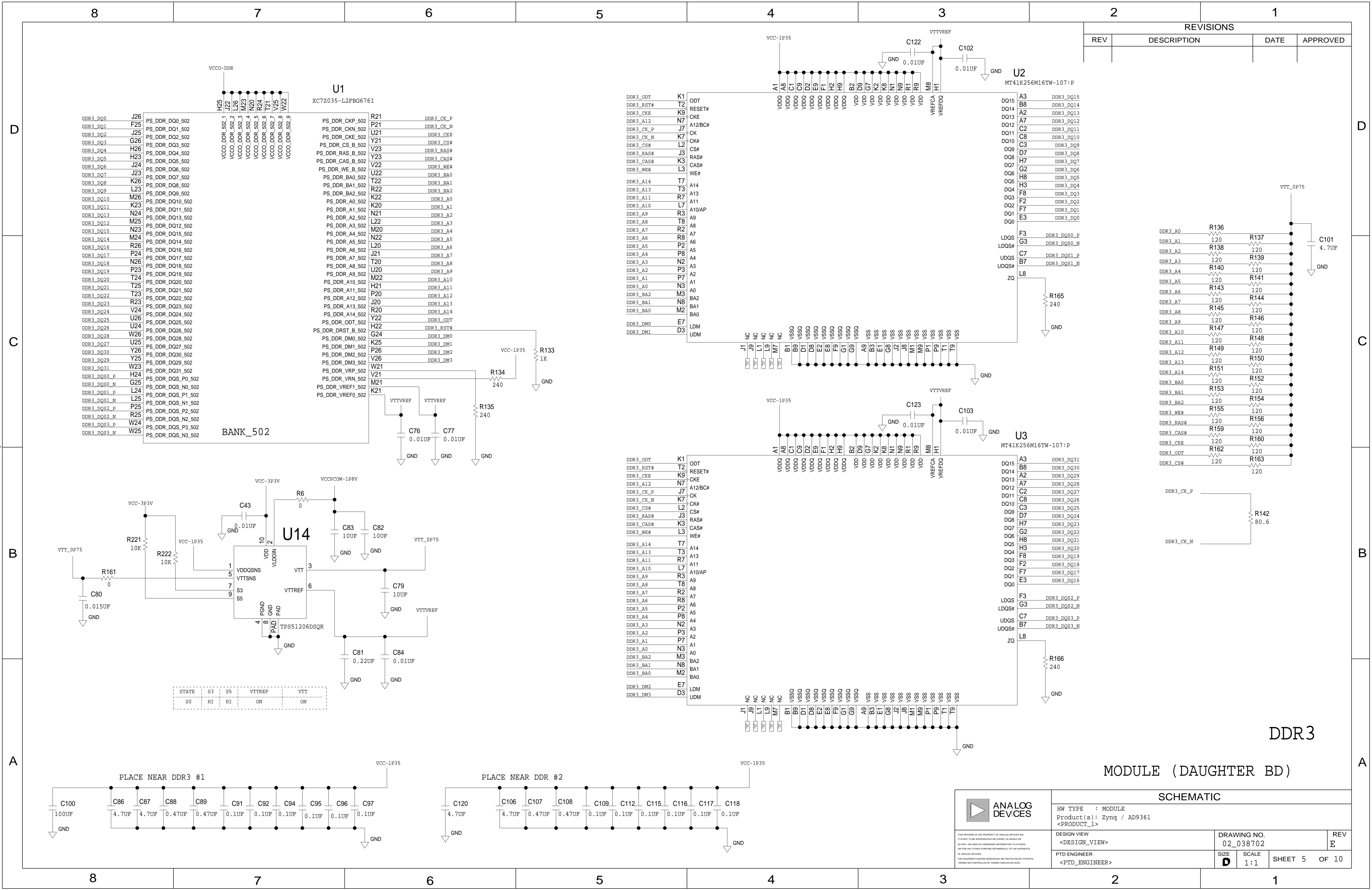
REVISIONS			
REV	DESCRIPTION	DATE	APPROVED



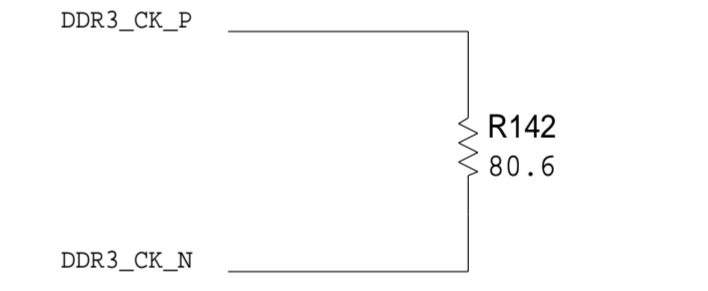
MODULE (DAUGHTER BD)

SCHEMATIC			
		HW TYPE : MODULE Product(s): Zynq / AD9361 <PRODUCT_1>	
DESIGN VIEW <DESIGN_VIEW>		DRAWING NO. 02_038702	
PTD ENGINEER <PTD_ENGINEER>		SIZE D	SCALE 1:1
		SHEET 4 OF 10	REV E

REVISIONS			
REV	DESCRIPTION	DATE	APPROVED



STATE	S3	S5	VTTREF	VTT
SO	HI	HI	ON	ON



SCHEMATIC			
HW TYPE : MODULE		REV E	
Product(s) : Zynq / AD9361		DRAWING NO. 02_038702	
<PRODUCT_1>		SIZE D	
DESIGN VIEW		SCALE 1:1	
PTD ENGINEER <PTD_ENGINEER>		SHEET 5 OF 10	

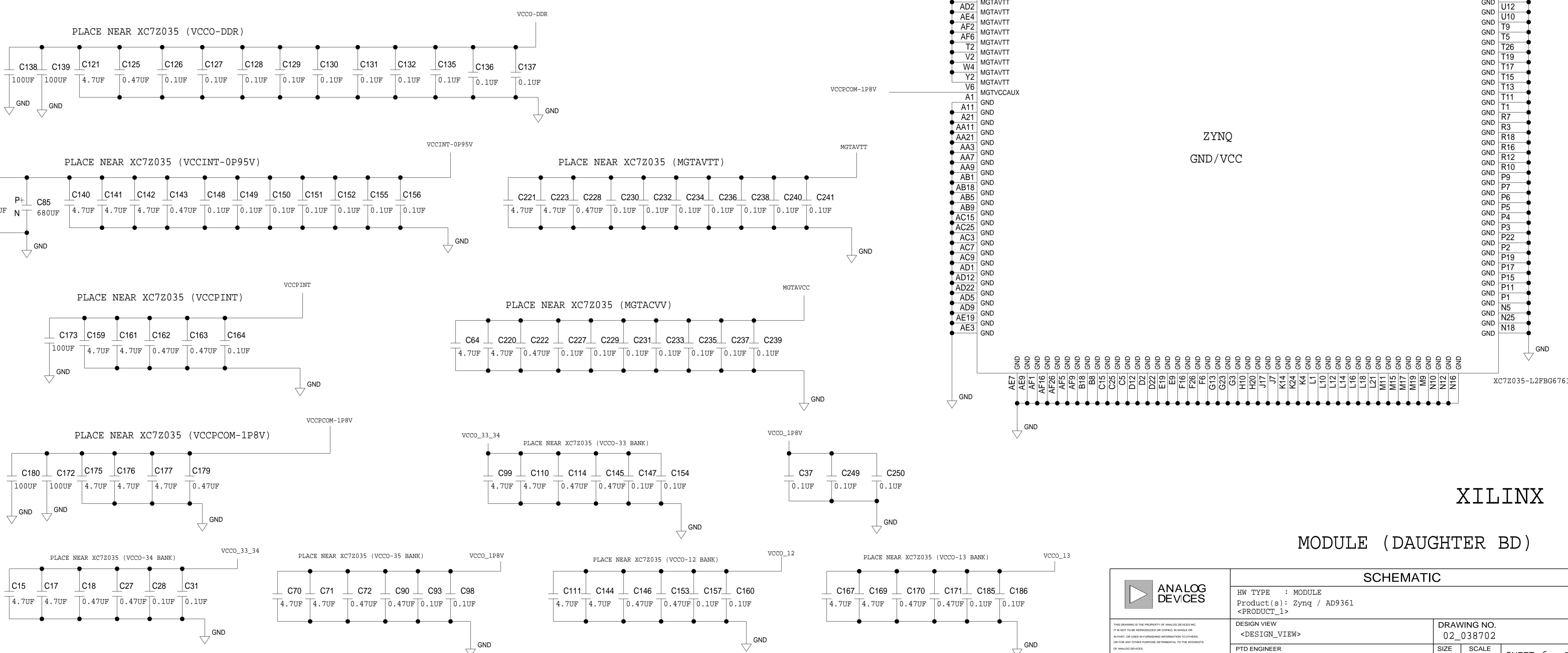
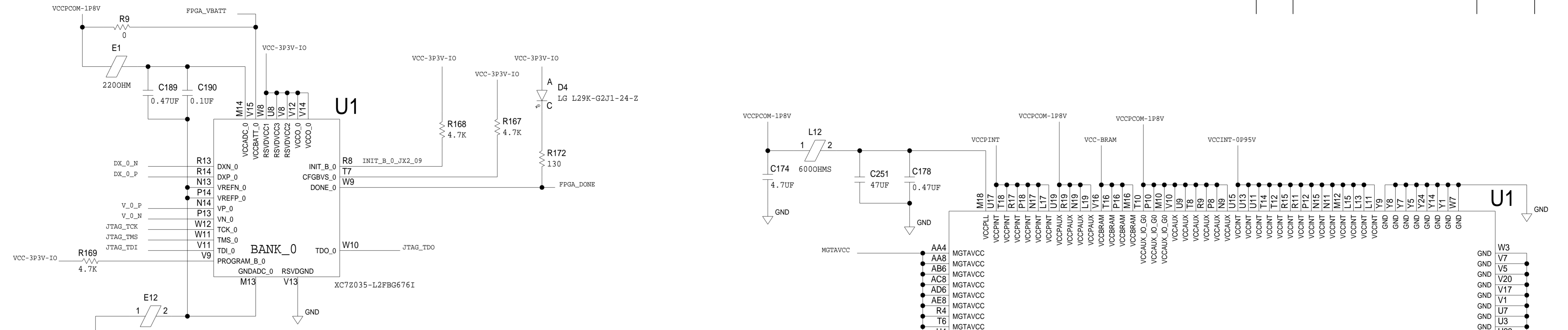
ANALOG DEVICES

THIS DRAWING IS THE PROPERTY OF ANALOG DEVICES INC. IT IS NOT TO BE REPRODUCED OR COPIED, IN WHOLE OR IN PART, OR USED IN FURNISHING INFORMATION TO OTHERS, OR FOR ANY OTHER PURPOSE DETRIMENTAL TO THE INTERESTS OF ANALOG DEVICES. THE EQUIPMENT SHOWN HEREIN MAY BE PROTECTED BY PATENTS OWNED OR CONTROLLED BY ANALOG DEVICES.

MODULE (DAUGHTER BD)

DDR3

REVISIONS			
REV	DESCRIPTION	DATE	APPROVED



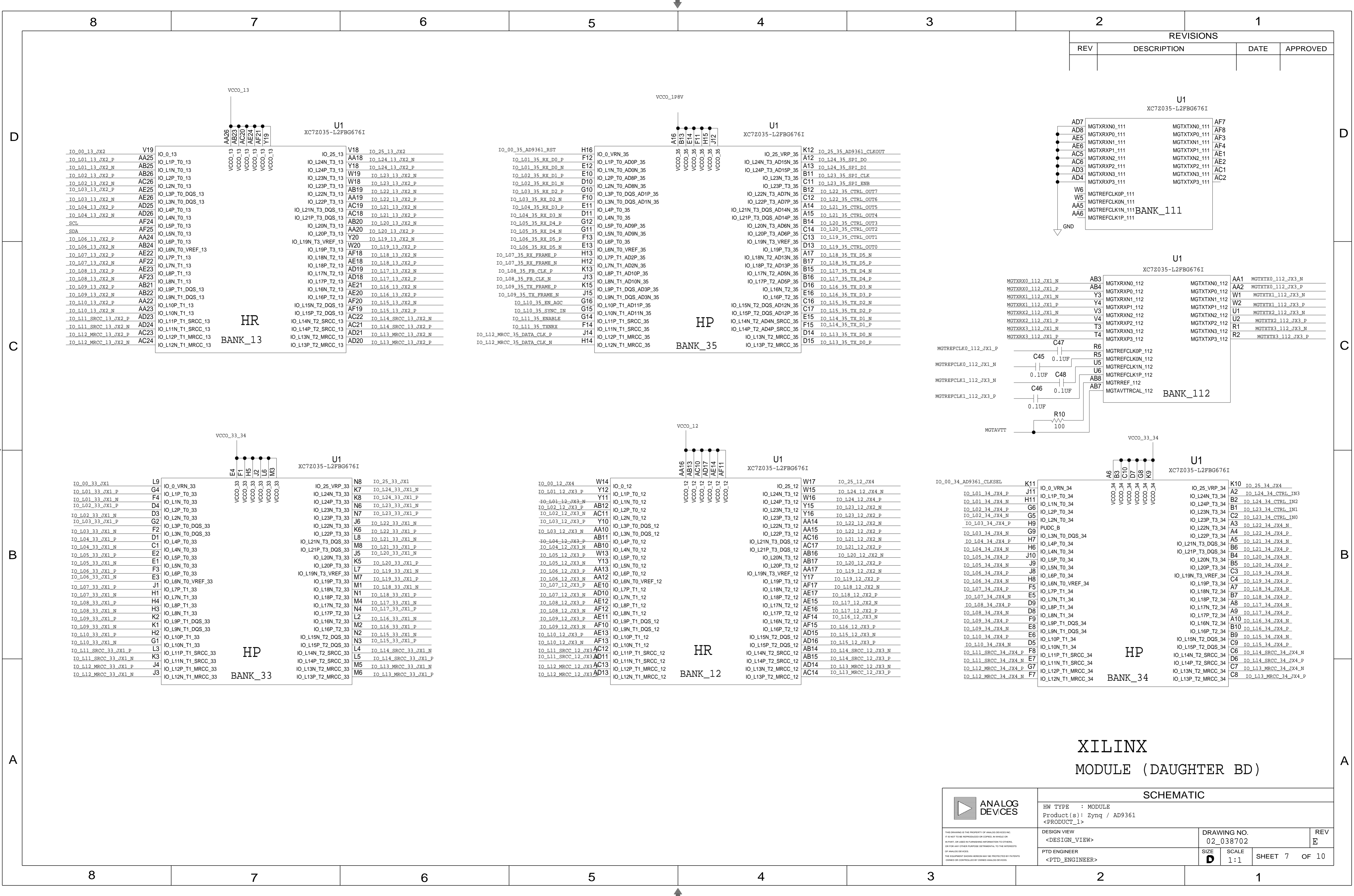
XILINX

MODULE (DAUGHTER BD)

SCHEMATIC			
HW TYPE : MODULE		DRAWING NO. 02_038702	
Product(s): Zynq / AD9361		REV E	
<PRODUCT_1>		SIZE D	
DESIGN VIEW		SCALE 1:1	
<DESIGN_VIEW>		SHEET 6 OF 10	
PTD ENGINEER <PTD_ENGINEER>		REV E	

THIS DRAWING IS THE PROPERTY OF ANALOG DEVICES INC. IT IS NOT TO BE REPRODUCED OR COPIED IN WHOLE OR IN PART, OR USED IN ANY MANNER WITHOUT THE WRITTEN PERMISSION OF ANALOG DEVICES. THE EQUIPMENT SHOWN HEREIN MAY BE PROTECTED BY PATENTS OWNED OR CONTROLLED BY ANALOG DEVICES.

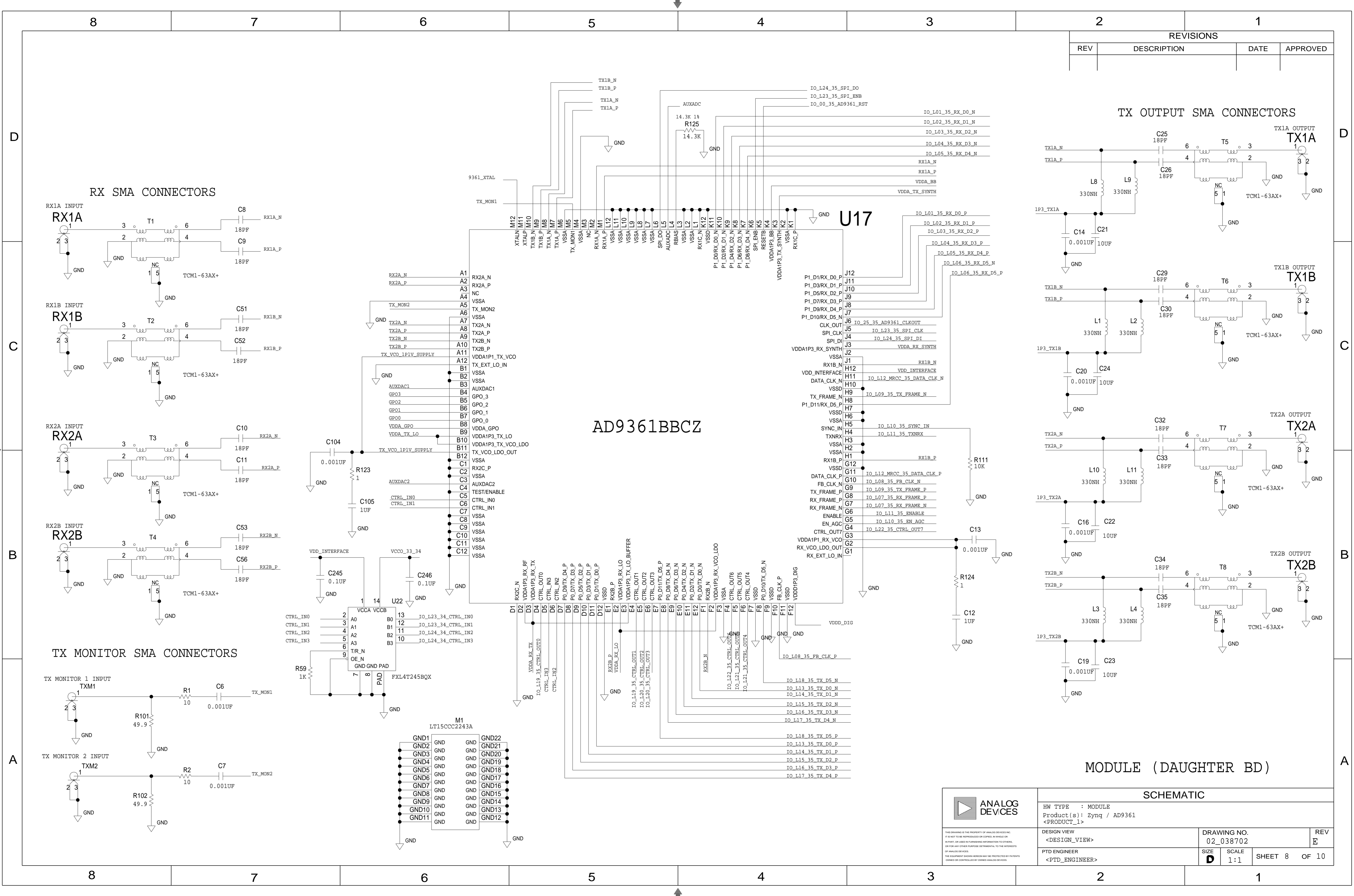
REVISIONS			
REV	DESCRIPTION	DATE	APPROVED



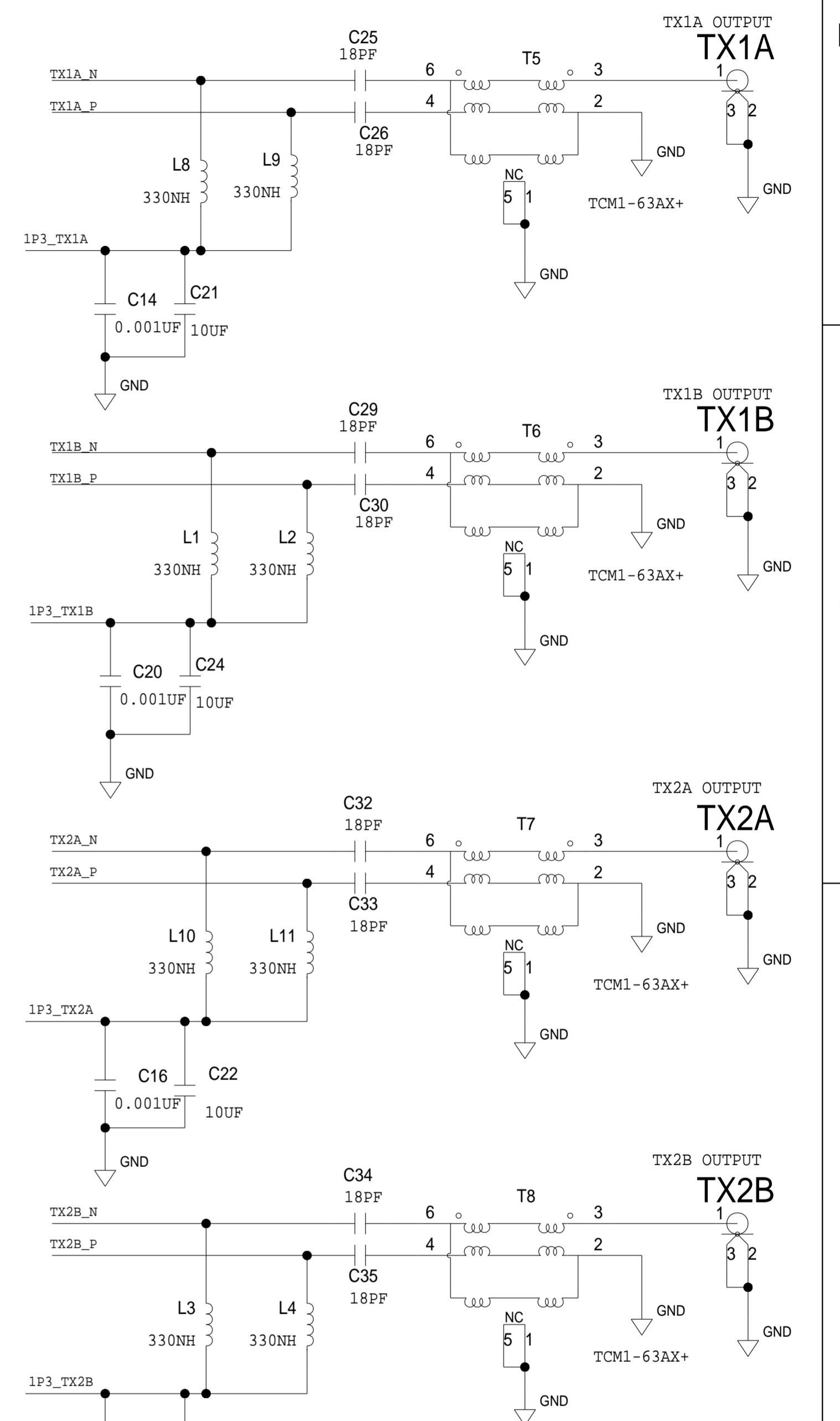
XILINX
MODULE (DAUGHTER BD)

SCHEMATIC			
		HW TYPE : MODULE Product(s) : Zynq / AD9361 <PRODUCT_1>	
DESIGN VIEW	DRAWING NO.		REV
<DESIGN_VIEW>	02_038702		E
PTD ENGINEER	SIZE	SCALE	SHEET 7 OF 10
<PTD_ENGINEER>	D	1:1	

REVISIONS			
REV	DESCRIPTION	DATE	APPROVED



TX OUTPUT SMA CONNECTORS

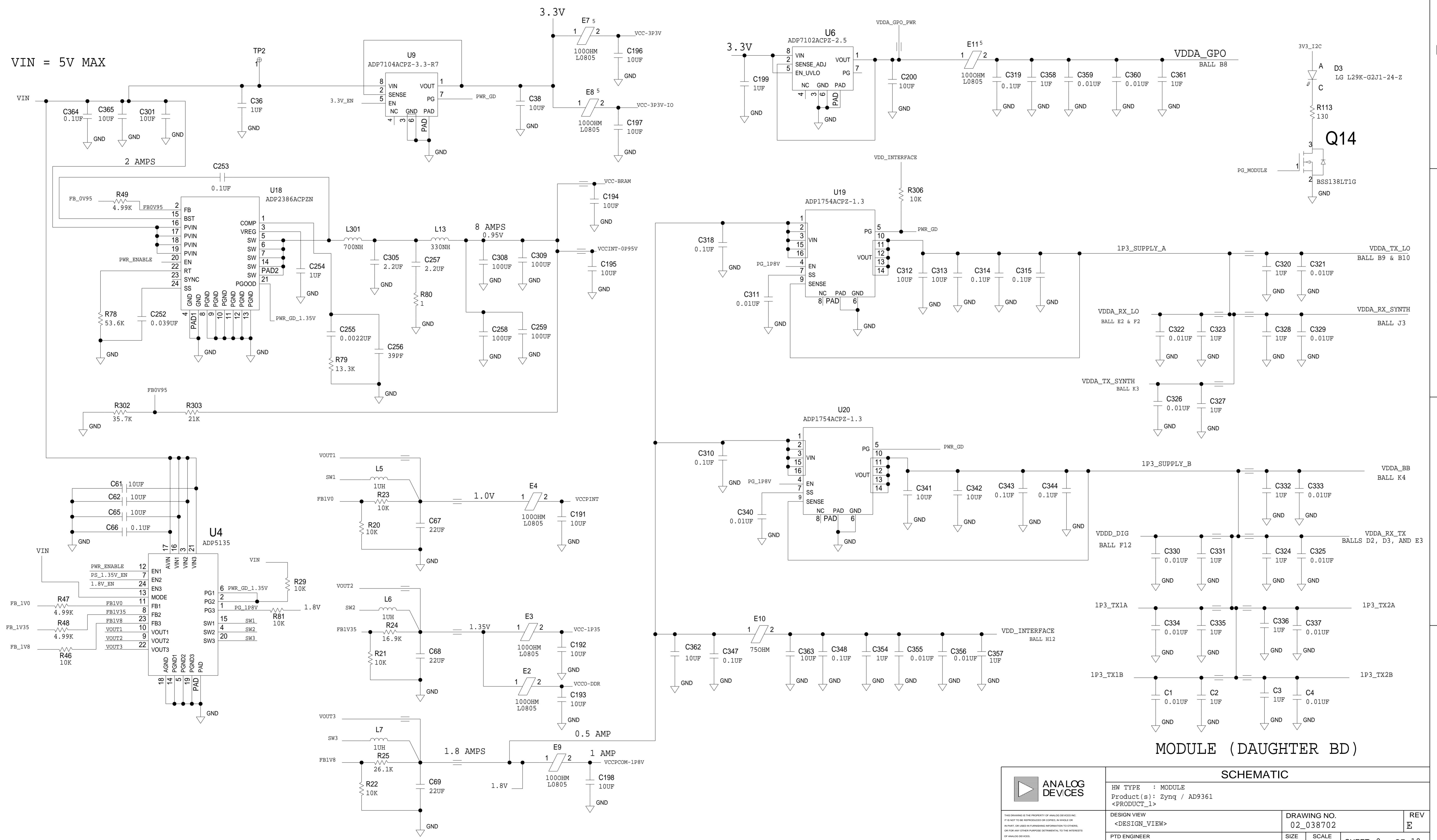


MODULE (DAUGHTER BD)

	SCHEMATIC		
	HW TYPE : MODULE Product(s) : Zynq / AD9361 <PRODUCT_1>		
DESIGN VIEW	DRAWING NO.	REV	
<DESIGN_VIEW>	02_038702	E	
PTD ENGINEER	SIZE	SCALE	
<PTD_ENGINEER>	D	1:1	SHEET 8 OF 10

POWER MANAGEMENT SECTION

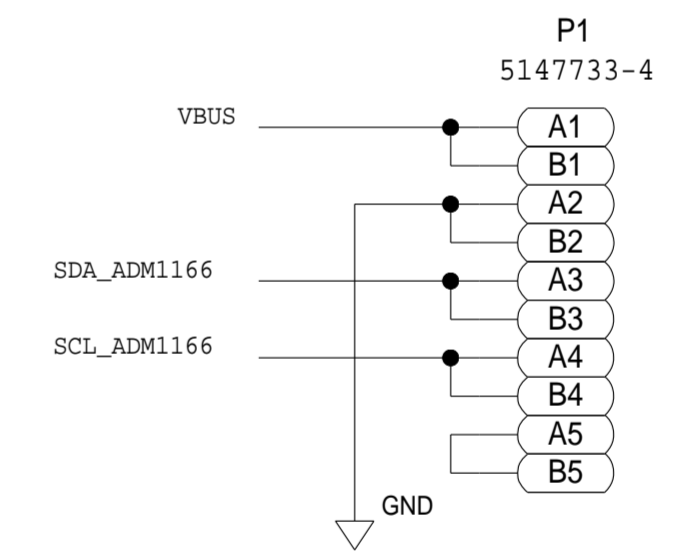
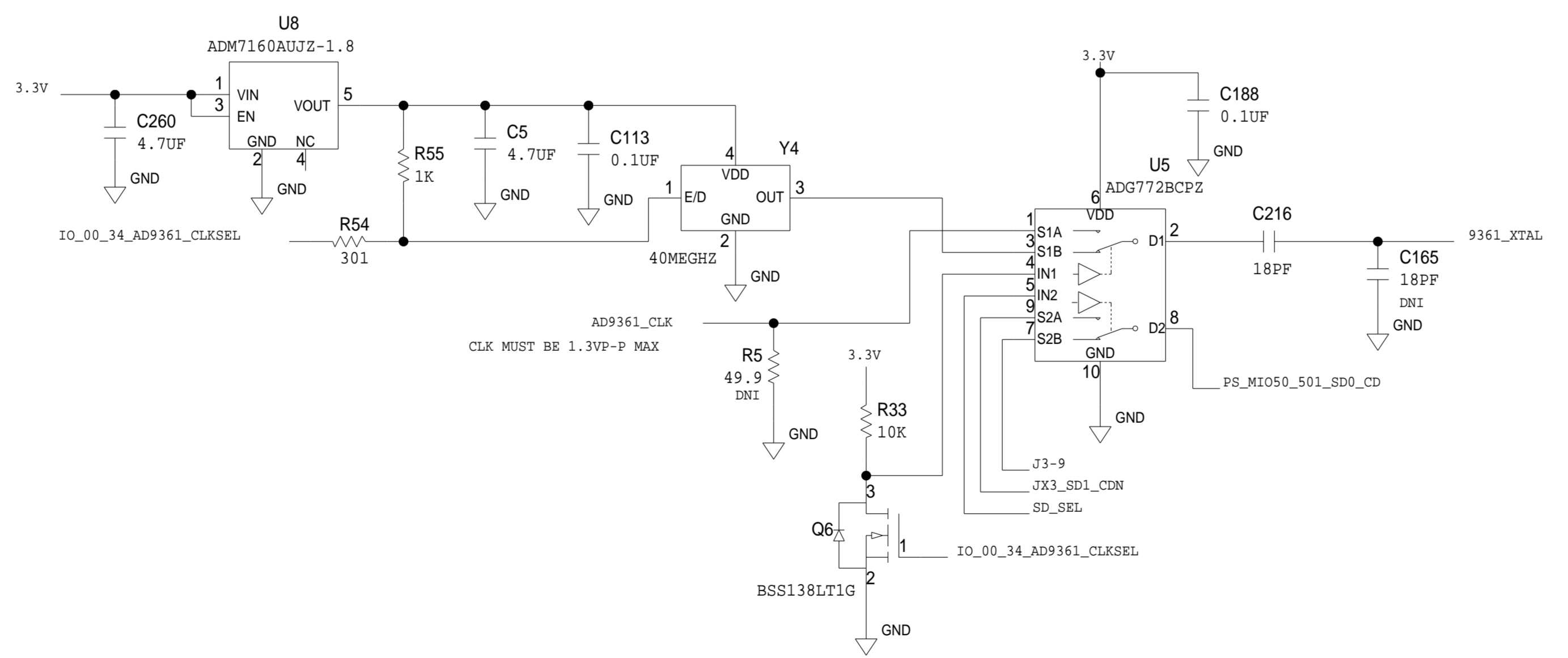
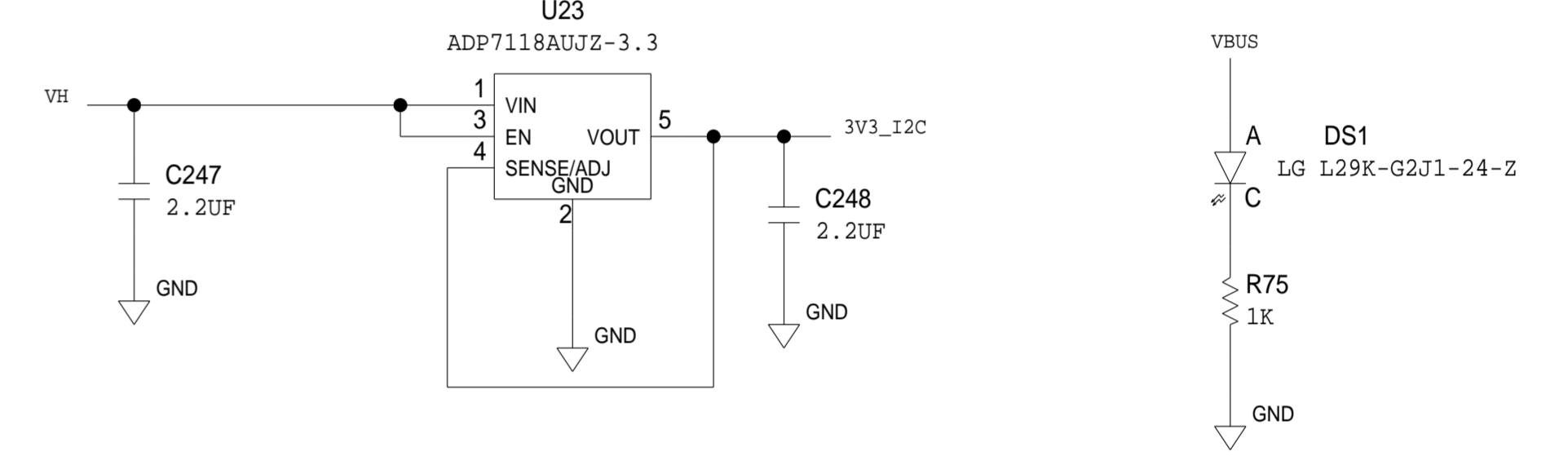
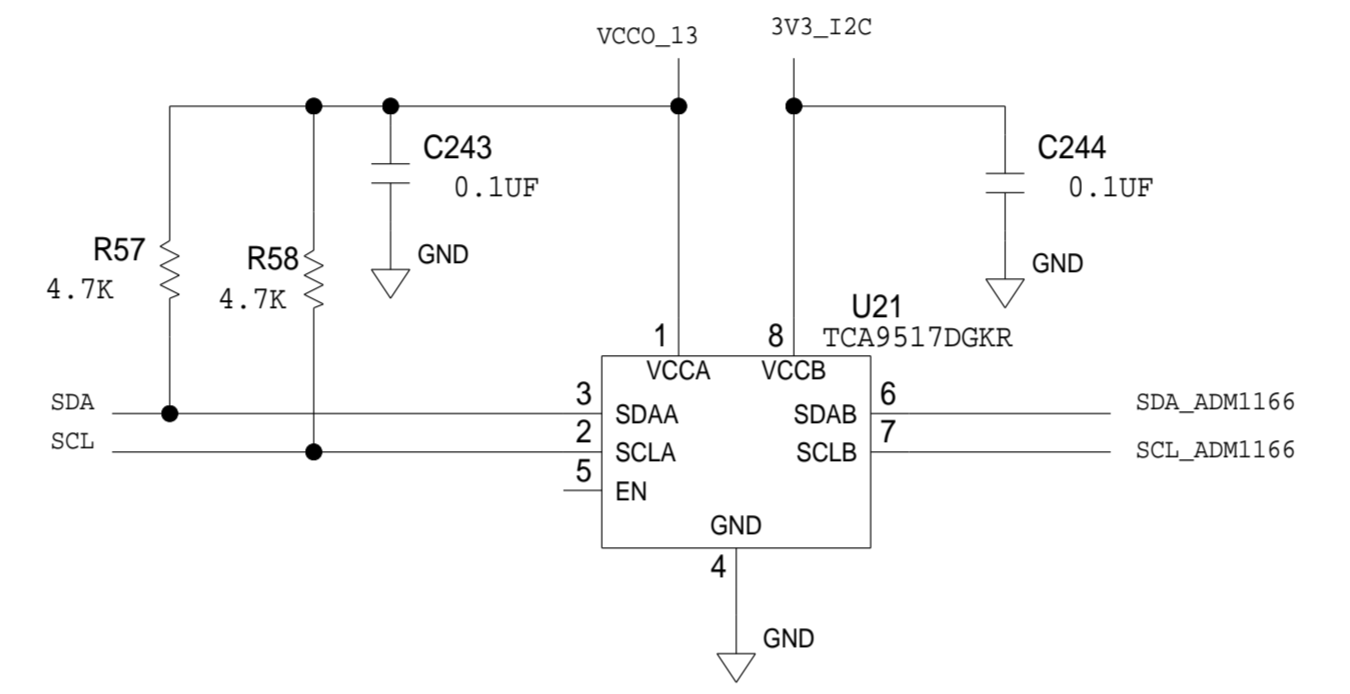
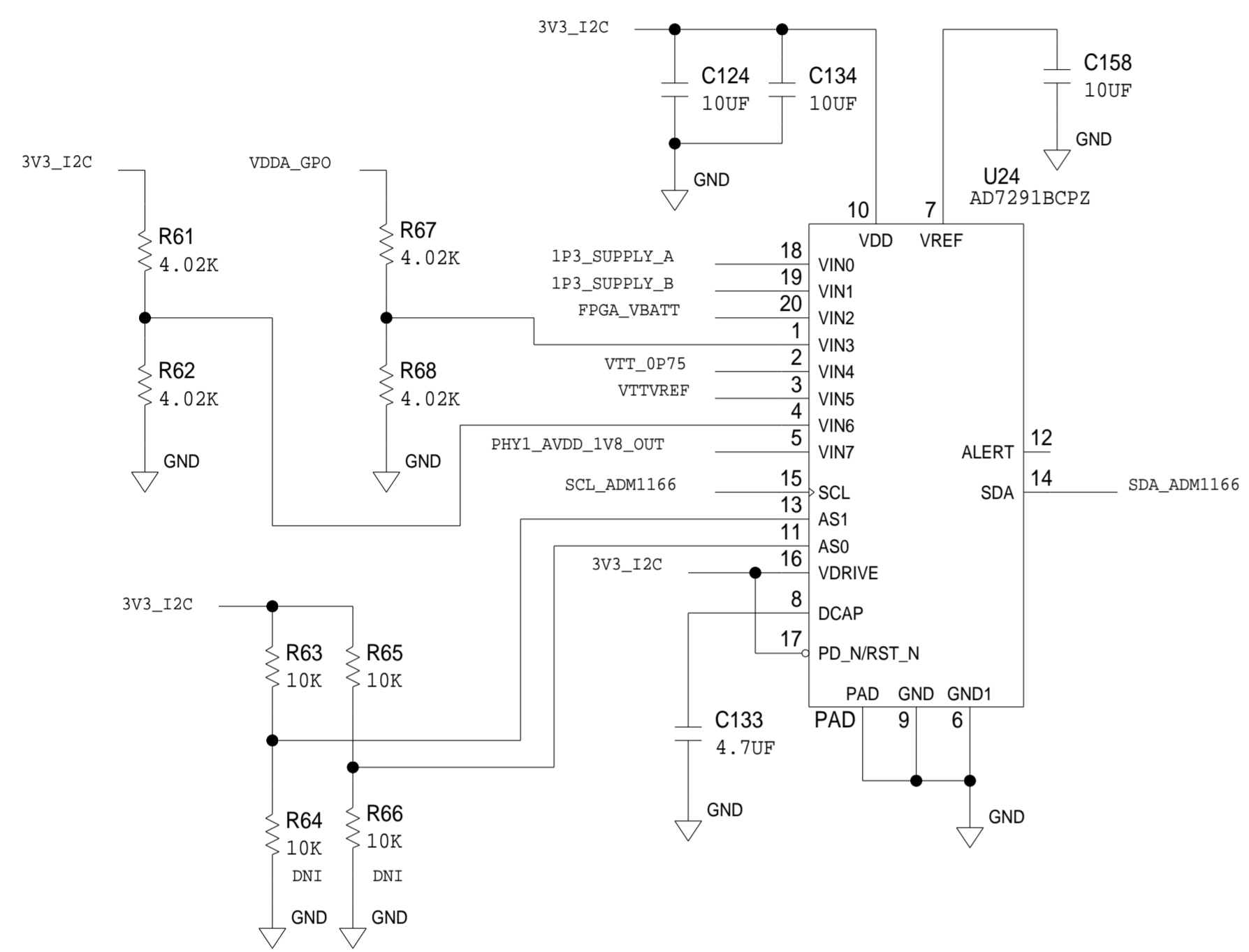
REVISIONS			
REV	DESCRIPTION	DATE	APPROVED



MODULE (DAUGHTER BD)

	SCHEMATIC		
	HW TYPE : MODULE Product(s): Zynq / AD9361 <PRODUCT_1>		
	DESIGN VIEW <DESIGN_VIEW>	DRAWING NO. 02_038702	REV E
	PTD ENGINEER <PTD_ENGINEER>	SIZE D	SCALE 1:1
		SHEET 9 OF 10	

REVISIONS			
REV	DESCRIPTION	DATE	APPROVED



	SCHEMATIC		
	HW TYPE : MODULE Product(s): Zynq / AD9361 <PRODUCT_1>		
	DESIGN VIEW <DESIGN_VIEW>	DRAWING NO. 02_038702	REV E
	PTD ENGINEER <PTD_ENGINEER>	SIZE D	SCALE 1:1
		SHEET 10 OF 10	