

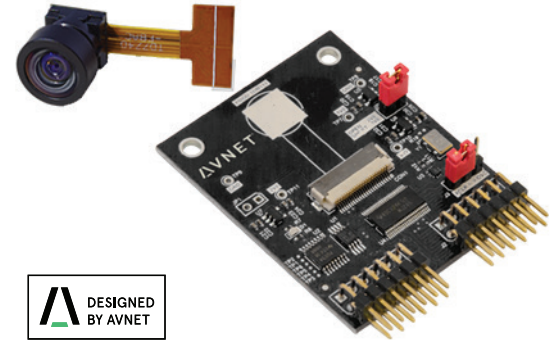
# TDNext 1.26Mpixel Pmod Camera Kit

The TDNext 1.26Mpixel Pmod camera kit allows the low cost, production-ready TDM114 camera module to be populated on Avnet's Pmod enabled Xilinx development kits. The camera kit features ON Semiconductor's MT9M114, a 1/6-inch 1.26Mpixel CMOS digital image sensor with an active-pixel array of 1296 (H) × 976 (V). It includes sophisticated camera functions such as auto exposure control, auto white balance, black level control, flicker avoidance, and defect correction. Designed for low light performance, the MT9M114 produces extraordinarily clear, sharp digital pictures.

## FEATURES

- TDNext Dual PMOD adapter
- TDM114 camera module, including:
  - ON Semiconductor 1/6" MT9M114 color image sensor
  - 720P30 resolution (1296 x 976 @ 30fps)
  - 8/10 bits CMOS parallel Interface
  - HFOV 90°
  - IR cut filter for daylight illumination

To purchase this kit, visit [www.urlgoeshere.com](http://www.urlgoeshere.com)



## COMPATIBLE WITH

- /ZEDBOARD™
- /MICROZED™
- /PICOZED™
- /ULTRAZED™
- /MINIZED™

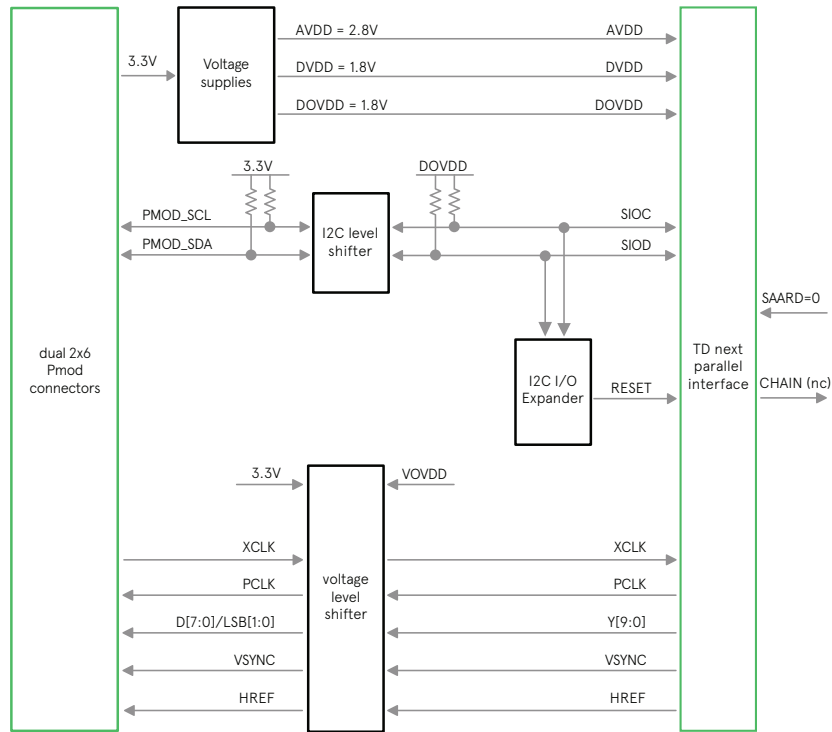
## KIT INCLUDES

- Quick Start Guide
- Hardware
  - TDNext dual PMOD adapter
  - TDNext TDM114 camera module
- Downloadable Documentation and Reference Designs

## TARGET APPS

- Security and Surveillance
- Scanning
- Drones and Robot Vision
- Medical Imaging
- Wearables
- Automotive

## BLOCK DIAGRAM



## FEATURED MANUFACTURERS



## PARTS

Part Number	Description	Resale
AES-PMOD-TDM114-G	TDNext TDM114 Camera Kit	\$69

Countries Available for Purchase: Americas, EMEA, Asia, Japan

## CONTACT INFORMATION

**North America**  
 2211 S 47<sup>th</sup> Street  
 Phoenix, Arizona 85034  
 United States of America  
 eval.kits@avnet.com  
 1-800-585-1602

**Europe**  
 Gruber Str. 60c  
 85586 Poing  
 Germany  
 marketing@silica.com  
 +49-8121-77702

**Japan**  
 Yebisu Garden Place Tower, 23F  
 4-20-3 Ebisu, Shibuya-ku  
 Tokyo 150-6023 Japan  
 eval-kits-jp@avnet.com  
 +81-(0)3-5792-8210

**Asia**  
 151 Lorong Chuan  
 #06-03 New Tech Park  
 Singapore 556741  
 XilinxAPAC@avnet.com  
 +65-6580-6000