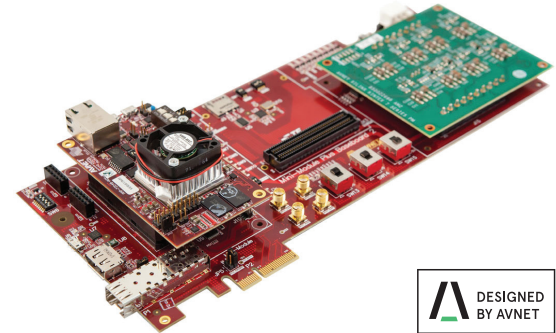


Xilinx® Zynq®-7000 All Programmable SoC Mini-Module Plus Development Kit



The Xilinx Zynq®-7000 All Programmable SoC Mini-Module Plus Development Kit is a completely customizable development kit, perfect for system architects and embedded designers looking for a flexible, high performance and upgradeable platform. The Avnet Mini-Module Plus system consists of a modular baseboard with three slots supporting a Zynq-7000 AP SoC module, a power supply module and an optional FPGA Mezzanine Card (FMC) application module. The Zynq-7000 AP SoC module is a complete system on a module, packaging all the necessary functions needed for an embedded processor system onto a small footprint. The Xilinx Zynq-7000 AP SoC version of the kit is the second of two planned kit offerings, along with the existing Xilinx Kintex®-7 FPGA module.



FEATURES

Zynq-7000 AP SoC Mini-Module Plus

- Xilinx Zynq-7000 AP SoC XC7Z045-1FFG900 or XC7Z100-2FFG900
- 1 GB DDR3 SDRAM
- 128 MB of parallel Flash
- 32 MB of QSPI Flash
- 8 KB of I2C EEPROM
- Micro SD card interface
- Real-time clock
- 10/100/1000 Ethernet interface
- USB 2.0 interface
- USB-UART interface
- Programmable LVDS clock source (GTX reference clock)
- 200 MHz LVDS oscillator (system clock)
- JTAG programming/configuration port
- Processor PJTAG header
- 8 GTX ports
- 132 user I/O pins

Mini-Module Plus Baseboard II

- One Mini-Module Plus Slot
- One FMC LPC slot (2.5 or 3.3 V VADJ)
- PCIe x4 edge connector
- One SFP socket
- DisplayPort® output
- One general-purpose MGT via SMA connectors
- Two PMOD™ headers
- Micro SD card interface
- Programmable LVCMOS clock source
- Programmable LVDS clock source (MGT reference clock input)
- USB-UART bridge
- Five user LEDs
- One 8-position DIP switch
- Four user push-button switches
- Digilent JTAG-SMT1 module
- PC4 JTAG header
- Power module connector

KIT CONFIGURATION OPTIONS

- Zynq-7000 AP SoC Mini-Module Plus
 - Zynq-7000 AP SoC XC7Z045-1FFG900 or XC7Z100-2FFG900
- Mini-Module Plus Baseboard II
 - 12 V Power Supply (US/UK/Euro AC cords)
 - Two USB A-mini-B cables (2)
 - Ethernet cable
- One power module
- Xilinx ISE® Design Suite: Embedded Edition (device locked to XC7Z045)
 - Bundled with the Zynq-7000 AP SoC Mini-Module Plus

TARGET APPLICATIONS

- PCI Express
- Embedded controllers
- General-purpose prototyping
- Networking and communications
- Storage and servers
- Ethernet/Internet applications

Features cont...

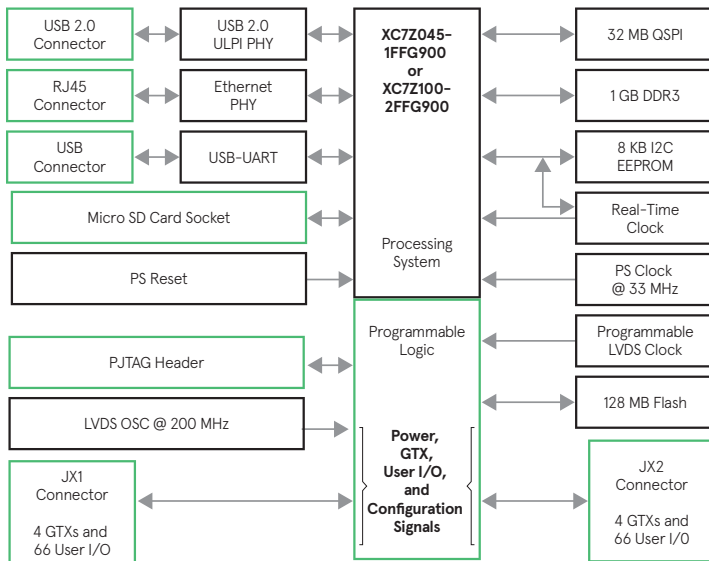
Power Module

- Designed to meet a common specification
- Accepts a 12 V DC input
- Generates all required voltage rails to power the FPGA module, FMC slot and baseboard circuits

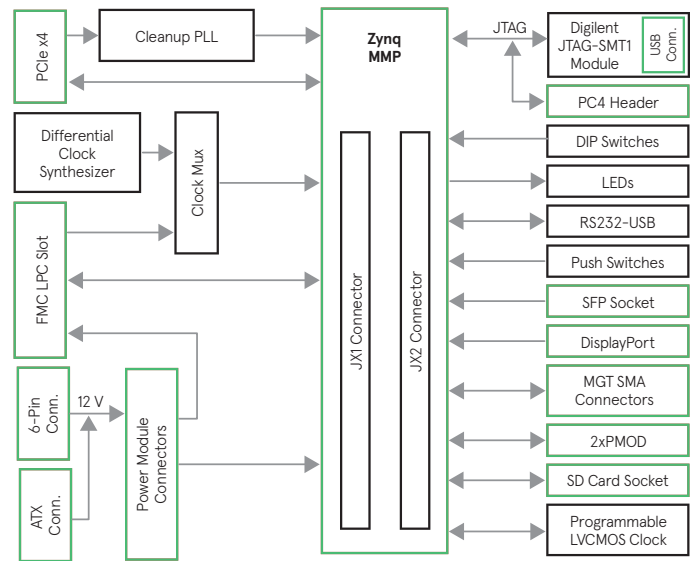
- Available power modules:

- Analog Devices
- GE Power
- Maxim Integrated
- STMicroelectronics
- Texas Instruments
- Texas Instruments SIMPLE SWITCHER®

BLOCK DIAGRAM



Zynq-7000 AP SoC Mini-Module



Mini-Module Plus Baseboard II

FEATURED MANUFACTURERS



PARTS

Part Number	Description	Resale
AES-MMP-7Z045-G	Xilinx Zynq-7000 AP SoC Mini-Module Plus with XC7Z045	\$1,295 USD
AES-MMP-7Z100-G	Xilinx Zynq-7000 AP SoC Mini-Module Plus with XC7Z100	\$1,495 USD
AES-MMP-BB2-G	Avnet Mini-Module Plus Baseboard II	\$500 USD
Multiple	Power Module	\$300 USD *Call for Volume Pricing

Countries Available for Purchase: Americas, EMEA, Asia, Japan

To purchase this kit, visit avnet.com/us/MMP-7Z045-G

CONTACT INFORMATION

North America
 2211 S 47th Street
 Phoenix, Arizona 85034
 United States of America
 eval.kits@avnet.com
 1-800-585-1602

Europe
 Gruber Str. 60c
 85586 Poing
 Germany
 marketing@silica.com
 +49-8121-77702

Japan
 Yebisu Garden Place Tower, 23F
 4-20-3 Ebisu, Shibuya-ku
 Tokyo 150-6023 Japan
 eval-kits-jp@avnet.com
 +81-(0)3-5792-8210

Asia
 151 Lorong Chuan
 #06-03 New Tech Park
 Singapore 556741
 XilinxAPAC@avnet.com
 +65-6580-6000