

ZedBoard™ is a low-cost development board for the Xilinx Zynq®-7000 All Programmable SoC. This board contains everything necessary to create a Linux, Android, Windows® or other OS/RTOS-based design. Additionally, several expansion connectors expose the processing system and programmable logic I/Os for easy user access. Take advantage of the Zynq-7000 AP SoC's tightly coupled ARM® processing system and 7 series programmable logic to create unique and powerful designs with ZedBoard. ZedBoard is supported by the zedboard.org community website where users can collaborate with other engineers also working on Zynq designs.

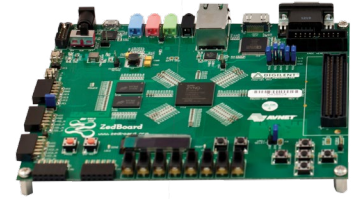
FEATURES

- Zynq®-7000 All Programmable SoC XC7Z020-CLG484-1
- Memory
 - 512 MB DDR3
 - 256 Mb Quad-SPI Flash
 - 4 GB SD card
- Onboard USB-JTAG Programming
- 10/100/1000 Ethernet
- USB OTG 2.0 and USB-UART
- PS & PL I/O expansion
- (FMC, Pmod™ Compatible, XADC)
- Multiple displays (1080p HDMI, 8-bit VGA, 128 x 32 OLED)
- I2S Audio CODEC

TARGET APPLICATIONS

- Video processing
- Motor control
- Software acceleration
- Linux/Android/RTOS development
- Embedded ARM® processing
- General Zynq®-7000 All Programmable SoC prototyping

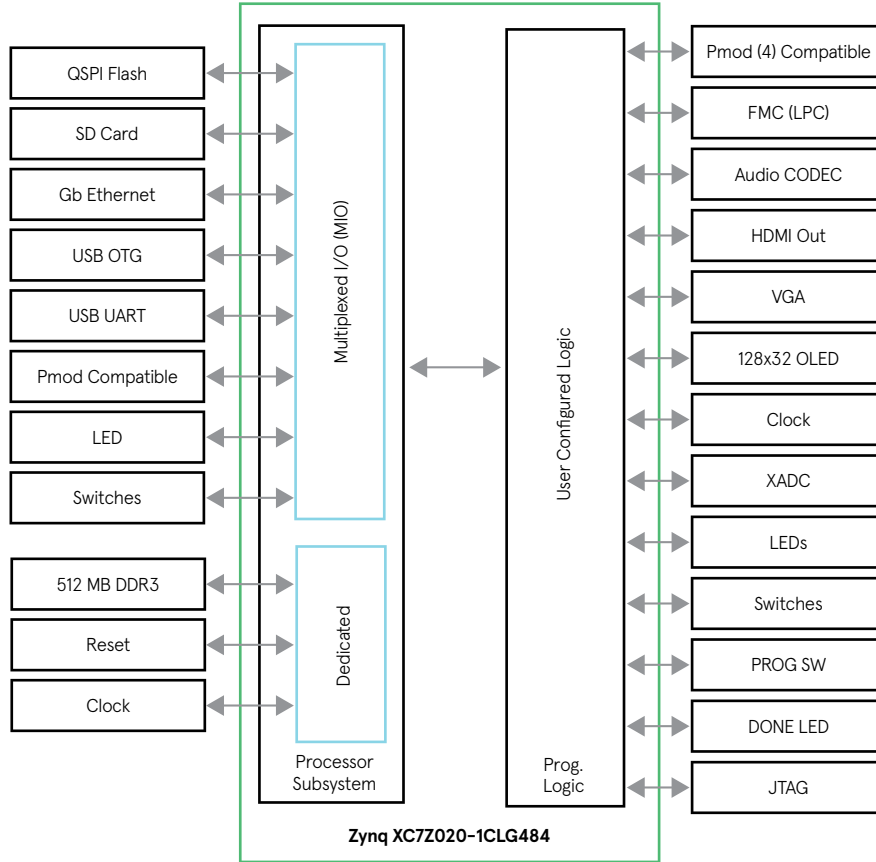
To purchase this kit, visit www.zedboard.org



KIT INCLUDES

- Avnet ZedBoard 7020 baseboard
- 12 V power supply
- 4 GB SD Card
- Micro-USB cable
- USB Adapter: Male Micro-B to Female Standard-A
- Getting Started Guide
- Xilinx Vivado® Design Edition license voucher (device locked to 7Z020)

BLOCK DIAGRAM



FEATURED MANUFACTURERS



SPONSORS



PARTS

Part Number	Description	Pricing
AES-Z7EV-7Z020-G	ZedBoard Commercial Edition (Available Exclusively from Avnet)	See online catalog*
ZEDBOARD	ZedBoard Academic Edition (Available Exclusively from Digilent)	

Countries Available for Purchase: Americas, EMEA, Asia, Japan

*VISIT ONLINE CATALOG: WWW.AVNET.COM

CONTACT INFORMATION

North America
 2211 S 47th Street
 Phoenix, Arizona 85034
 United States of America
 eval.kits@avnet.com
 1-800-585-1602

Europe
 Gruber Str. 60c
 85586 Poing
 Germany
 marketing@silica.com
 +49-8121-77702

Japan
 Yebisu Garden Place Tower, 23F
 4-20-3 Ebisu, Shibuya-ku
 Tokyo 150-6023 Japan
 eval-kits-jp@avnet.com
 +81-(0)3-5792-8210

Asia
 151 Lorong Chuan
 #06-03 New Tech Park
 Singapore 556741
 XilinxAPAC@avnet.com
 +65-6580-6000