

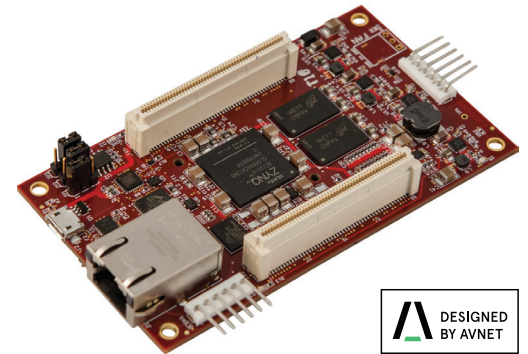
MicroZed™ SBC (Single Board Computer) is based on the successful MicroZed SOM (System On Module), with the main difference being the flipped orientation of the I/O expansion connectors. With the I/O connectors on the topside of the board, the MicroZed SBC is designed to accept daughter cards for custom interfaces, making the SBC the main baseboard of a system. This is in contrast to the carrier card approach that is used with MicroZed SOM, where MicroZed plugs into the main baseboard or carrier card. The SBC approach, combined with the lower profile RJ45 Ethernet connector allows MicroZed SBC to serve as a very compact embedded processing system.

MicroZed SBC is offered in either the 7010 or 7020 Zynq®-7000 All Programmable SoC and targets production designs. The flexibility and customization capabilities offered by the Xilinx SoC make this off-the-shelf SBC ideal for small, performance oriented embedded systems. The ease of designing and adding an application specific daughter card versus an entire system makes the MicroZed SBC the perfect choice for gaining that time-to-market advantage.

FEATURES

- SoC
 - XC7Z010-1CLG400 or XC7Z020-1CLG400
- Memory
 - 1 GB of DDR3 SDRAM
 - 128 Mb of QSPI Flash
 - Micro SD card interface
- Communications
 - 10/100/1000 Ethernet
 - USB 2.0
- User I/O (via dual board-to-board connectors)
 - 100 User I/O (50 per connector)
 - Configurable as up to 48 LVDS pairs or 100 single-ended I/O
- Other
 - UART accessible via compatible Pmod
 - JTAG configuration port
 - PS JTAG pins accessible via board-to-board connectors
 - 33.33 MHz oscillator
 - User LED and push switch

To purchase this kit, visit avnet.com/us/microzedsbc



KIT INCLUDES

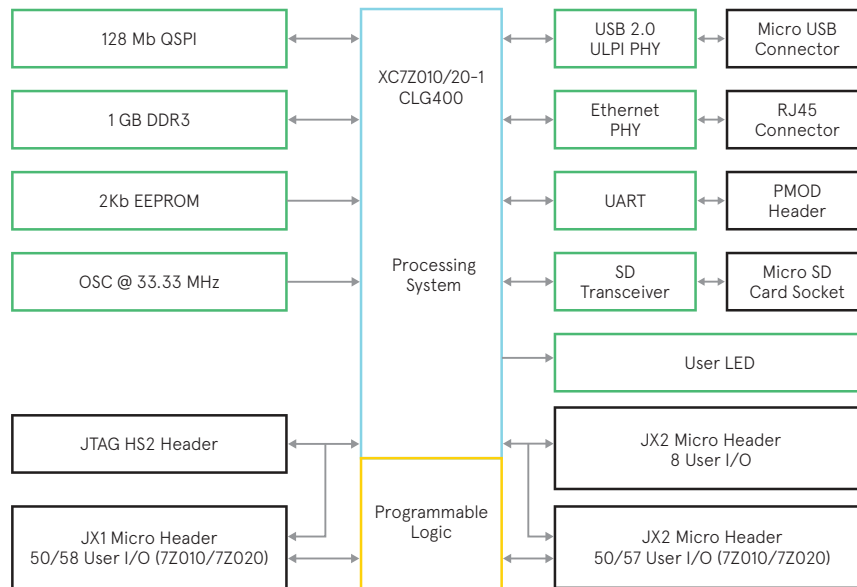
- MicroZed SBC board

(Note: MicroZed SBC is not sold as a development kit. It is targeted for production designs only. For designers looking to learn about Zynq or needing a starter kit for development, the MicroZed Evaluation Kit (p/n: AES-Z7MB-7Z010-G) is recommended)

TARGET APPLICATIONS

- Embedded vision
- Test & measurement
- Motor control
- Software-defined radio

BLOCK DIAGRAM



FEATURED MANUFACTURERS



PARTS

Part Number	Description	Resale
AES-Z7MB-7Z010-SBC-G	MicroZed 7010 Single Board Computer	\$169 USD
AES-Z7MB-7Z020-SBC-G	MicroZed 7020 Single Board Computer	\$224 USD
AES-Z7MB-7Z010-SBC-I-G	MicroZed 7010 Industrial Temperature Single Board Computer	\$199 USD
AES-Z7MB-7Z020-SBC-I-G	MicroZed 7020 Industrial Temperature Single Board Computer	\$259 USD

CONTACT INFORMATION

North America
 2211 S 47th Street
 Phoenix, Arizona 85034
 United States of America
 eval.kits@avnet.com
 1-800-585-1602

Europe
 Gruber Str. 60c
 85586 Poing
 Germany
 marketing@silica.com
 +49-8121-77702

Japan
 Yebisu Garden Place Tower, 23F
 4-20-3 Ebisu, Shibuya-ku
 Tokyo 150-6023 Japan
 eval-kits-jp@avnet.com
 +81-(0)3-5792-8210

Asia
 151 Lorong Chuan
 #06-03 New Tech Park
 Singapore 556741
 XilinxAPAC@avnet.com
 +65-6580-6000